

Highland Series

model no:

HL36R

36", 42" ROUND TABLE
STEEL MESH – PORTABLE

customer service:

ASSEMBLERS: If you find any parts missing or damaged, or if you're having difficulty assembling your furniture/equipment, call us at:

* Before calling, have your product model number available.

1-800-253-8619 (Inside U.S.A.)

260-352-2102 (Outside U.S.A.)

Monday thru Friday,

8:00 AM – 4:30 PM Eastern Time

(EXCEPT HOLIDAYS)

maintenance:

Regular inspection and maintenance of all parts, and fasteners is necessary. Tighten all bolts and nuts. Inspect Tops, Seats, Legs, Braces and Fasteners periodically for wear or vandalism. Replace broken or worn parts immediately or take equipment out of service until repairs are made. Use genuine Urbanscape replacement parts.

KEEP THIS ASSEMBLY/SPECIFICATION SHEET FOR FUTURE REFERENCE.

specifications:

NOTE: We reserve the right to change specifications without notice.

Framework assemblies are finished with powder coating; electrostatically applied and oven cured according to powder manufacturer's specifications. Fasteners are stainless steel to resist corrosion.

TABLE TOP:

The outer ring consists of .050 formed steel with a 3/8" x 3/4" rectangular steel tube rolled inside to reinforce outer ring. The mesh panel is .080" thick steel and is supported by (4) 3/8" square and (4) 1/2" square steel tubes. The 1/2" square steel tubes have two each, M6 weld-nuts to receive table legs. The umbrella tube flange consists of .050 sheet steel and has a 2" inside diameter.

TABLE LEGS & BRACE:

The legs consists of .050 thick x 1" diameter steel tubing. The center brace main tube consists of 7/8" diameter steel tubing. The inner tubing is 3/8" diameter steel tubing and has a 2 3/8" inside diameter. The cross tube is 7/16" diameter steel tubing.

GENERAL:

The overall ground space requirement for SU2I38P is 36" diameter. The height of table is 28 1/2" and the height of center brace is 17 3/8" x 13 7/8" diameter.

The overall ground space requirement for SU2H38P is 42" diameter. The height of table is 28 1/2" and the height of center brace is 17 3/8" x 19 1/8" diameter.

assembly procedures: IMPORTANT: Assemblers should be reasonably skilled in the assembly of commercial grade/heavy duty fabricated steel equipment.

To ensure proper assembly, it is suggested that you take adequate time to locate and identify each part. To prevent scratching of the finished pieces, we recommend this unit to be assembled on a clean, flat, solid, surface with a drop cloth, allowing plenty of working room. Also please read the instructions and study the sketches very carefully. A little extra time spent before assembly will be well worth it in performing a complete, proper assembly. Please note that all parts have been pre-cut and pre-drilled.

During the assembly process leave all bolts and nuts "finger tight", until the entire unit is completely assembled. This allows room for movement to level or adjust all seats, tops, benches, framework and braces if necessary. After final adjustment and leveling, permanently tighten all nuts, bolts and fasteners.

7L

STEP 1

Invert top and set on a protective surface. Secure legs to table frame using two M6 x 1 x 16 Socket Head Cap Screws and two M6 Flat Washers per each leg. See illustration below.

STEP 2

Attach center brace to legs using one M6 x 1 x 16 and one M6 x 1 x 35 Socket Head Cap Screw and two M6 Flat Washers per each leg.

STEP 3

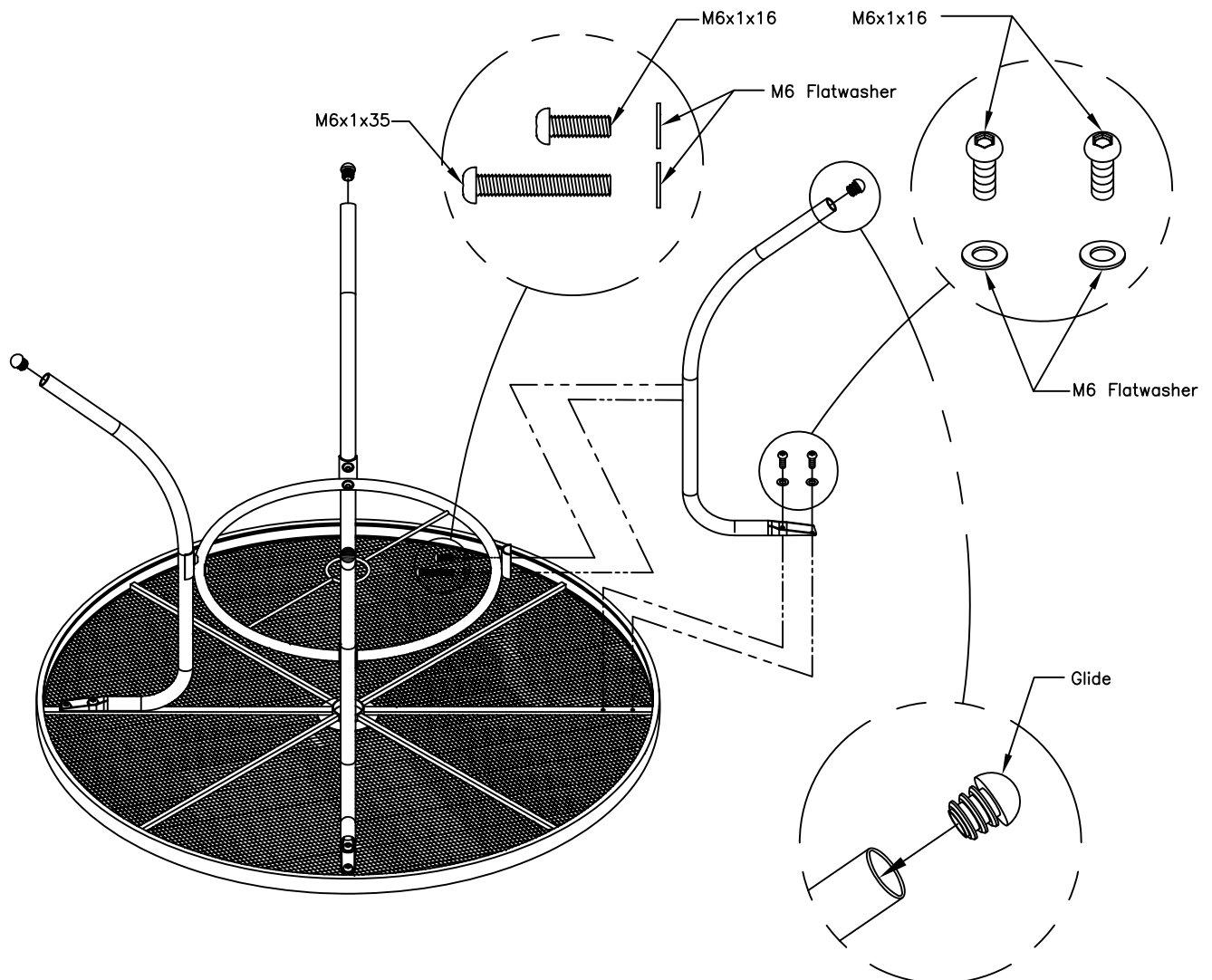
The 4 glides need to be assembled to the open end of the leg tube. Place glides at mouth of tube and tap until seated. A rubber or plastic mallet is the preferred tool. Be sure to align it straight with tube before tapping.

STEP 4

After all parts have been secured, carefully rotate table to its' up right position. Tighten all hardware.

NOTE:

The 42" Top is shown below. The 36" Top is similar in assembly.



installation: WARNING: The proper installation for Urbanscape products may depend upon many factors unique to the site, location, or use of a particular product. Consult with your contractor or other professional to determine your specific installation requirements.

product dimensions:

