

model no:

PTD100-DBL

DOUBLE DISPENSER HOLDER BRACKET
BOLT-ON

customer service:

ASSEMBLERS: If you find any parts missing or damaged, or if you're having difficulty assembling your furniture/equipment, call us at:

* Before calling, have your product model number available.

1-800-253-8619 (Inside U.S.A.)

260-352-2102 (Outside U.S.A.)

Monday thru Friday,
8:00 AM - 4:30 PM Eastern Time

(EXCEPT HOLIDAYS)

maintenance:

Regular inspection and maintenance of all parts, and fasteners is necessary. Tighten all bolts and nuts. Inspect Tops, Seats, Legs, Braces and Fasteners periodically for wear or vandalism. Replace broken or worn parts immediately or take equipment out of service until repairs are made. Use genuine Wabash Valley replacement parts.

To restore plastisol coating to its luster after prolonged use, wash/rinse/dry and use Armor-All ® or similiar quality vinyl protectant.

KEEP THIS ASSEMBLY/SPECIFICATION SHEET FOR FUTURE REFERENCE.

specifications:

NOTE: We reserve the right to change specifications without notice.

Heat fused poly-vinyl coating, finished on inner-metal structure, to an approximate 3/16" thickness. Framework assemblies are finished with powder coating; electrostatically applied and oven cured according to powder manufacturer's specifications. Fasteners are stainless steel to resist corrosion.

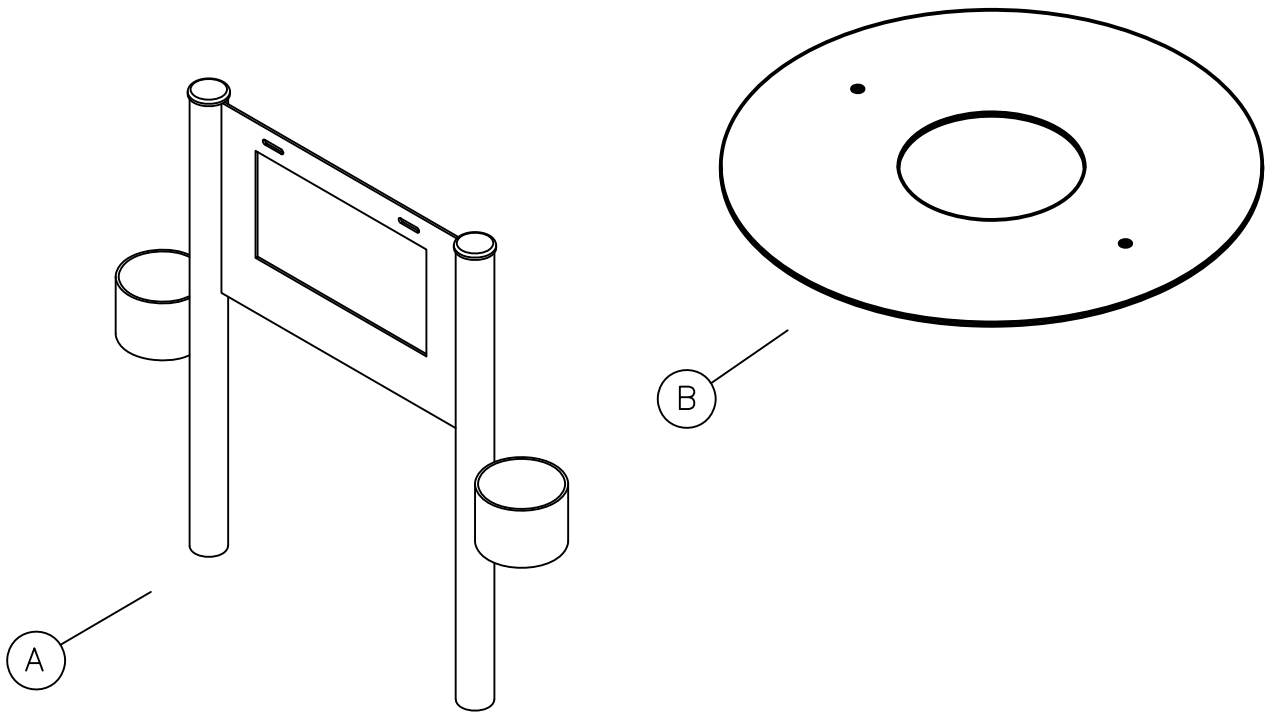
DISPENSER HOLDER:

Top plates consist of 10 gage sheet steel. The two tubes are 12 gage x 1.66 diameter. Tube Cap is 18 gage steel. The bottle holders consists of 12 gage x 4" diameter mechanical steel tubing. The rod used at the bottom of the bottle holder tubing is 1/4" diameter steel rod. The base is 7 gage x 23 1/4" diameter sheet steel.

GENERAL:

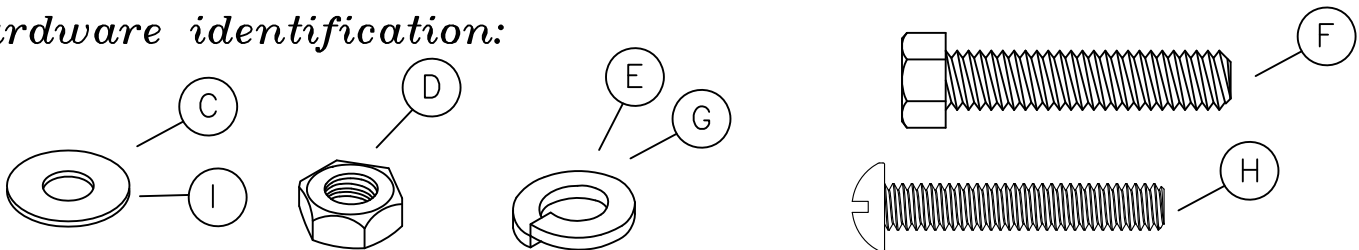
Ground space requirements for Dispenser Holder with the trash receptacle are: 25 7/8" x 25 13/16". Approximate height with trash receptacle is 55 7/16".

parts identification:



ITEM	PART	DESCRIPTION	QTY.
A	10553	DOUBLE PAPER DISPENSER HOLDER	1
B	10615	DISPENSER BASE	1

hardware identification:



ITEMS INCLUDED IN HARDWARE PACKAGE:			#21201
ITEM	PART	DESCRIPTION	QTY.
C	17028	3/8 X 7/8 FLAT WASHER SS	2
D	17017	1/4-20 FINISH NUT 18-8 S.S.	2
E	17050	5/16 LOCK WASHER SS	2
F	17011	5/16-18 X 1 1/2 HEX HEAD SCREW	2
G	17079	1/4 LOCK WASHER SS	2
H	17139	1/4-20 X 1 1/2 ROUND HEAD SS	2
I	3000112	1/4 x 5/8 FLAT WASHER	4

ASSEMBLY TOOLS REQUIRED:
 1 - PHILLIPS SCREWDRIVER
 1 - 7/16" WRENCH
 1 - 1/2" WRENCH

assembly procedures: IMPORTANT: Assemblers should be reasonably skilled in the assembly of commercial grade/heavy duty fabricated steel equipment.

To ensure proper assembly, it is suggested that you take adequate time to locate and identify each part. To prevent scratching of the finished pieces, we recommend this unit to be assembled on a clean, flat, solid, surface with a drop cloth, allowing plenty of working room. Also please read the instructions and study the sketches very carefully. A little extra time spent before assembly will be well worth it in performing a complete, proper assembly. Please note that all parts have been pre-cut and pre-drilled.

During the assembly process leave all bolts and nuts "finger tight", until the entire unit is completely assembled. This allows room for movement to level or adjust all seats, tops, benches, framework and braces if necessary. After final adjustment and leveling, permanently tighten all nuts, bolts and fasteners.

7L

DOUBLE DISPENSER HOLDER INSTRUCTIONS.

STEP 1

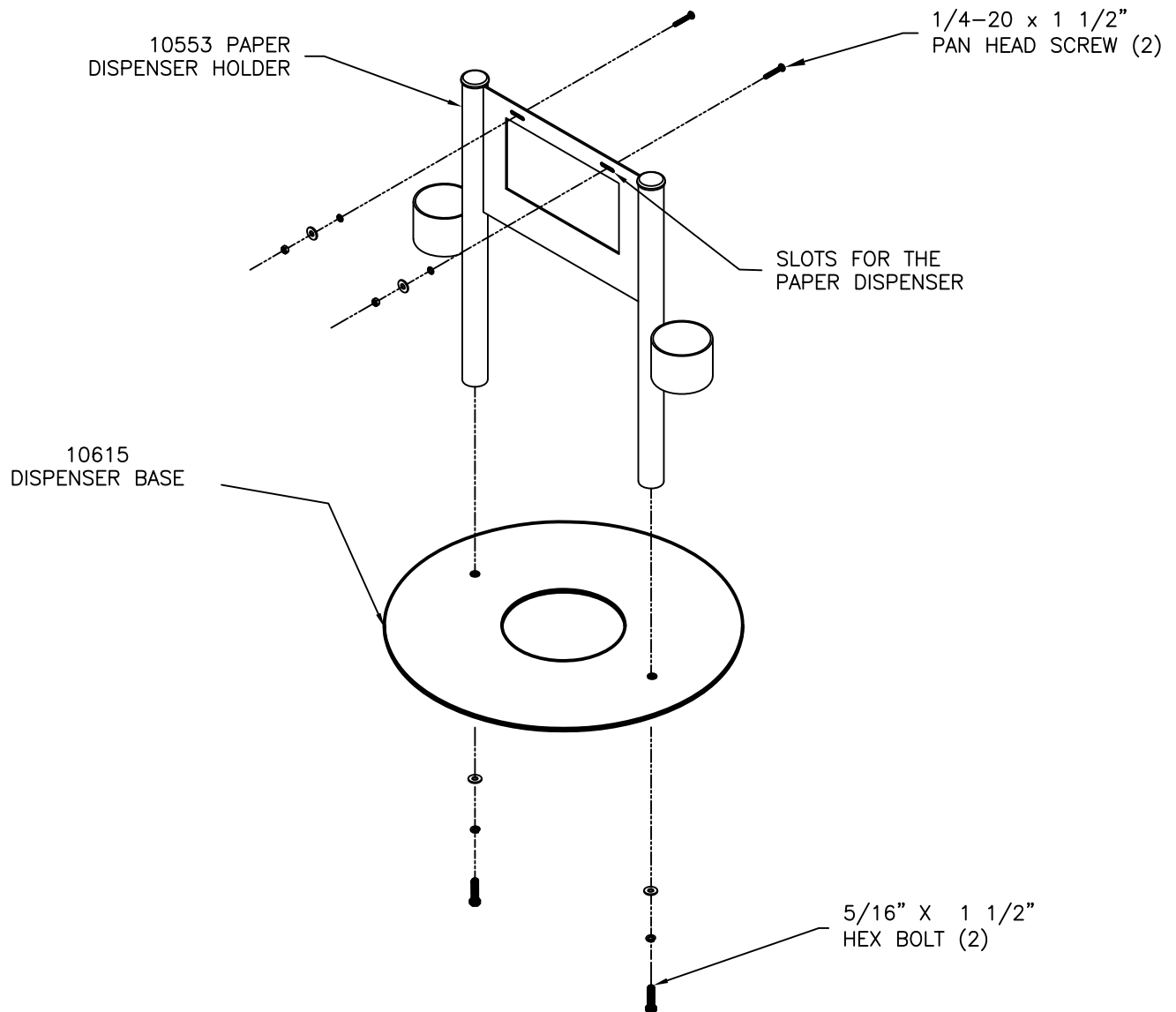
Align the Double Dispenser Holder tube inserts (A) with the holes on dispenser base (B). Hold in place and bolt to base using two (F) 5/16" x 1 1/2" Hex Cap Screws, and two (G) 5/16" Lock Washers, two (C) 3/8" Flat Washers.

STEP 2

Position Double Dispenser Holder vertically and tighten all bolts with proper tools.

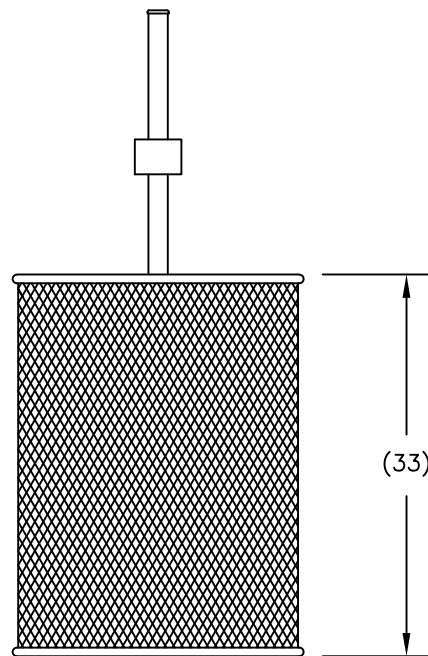
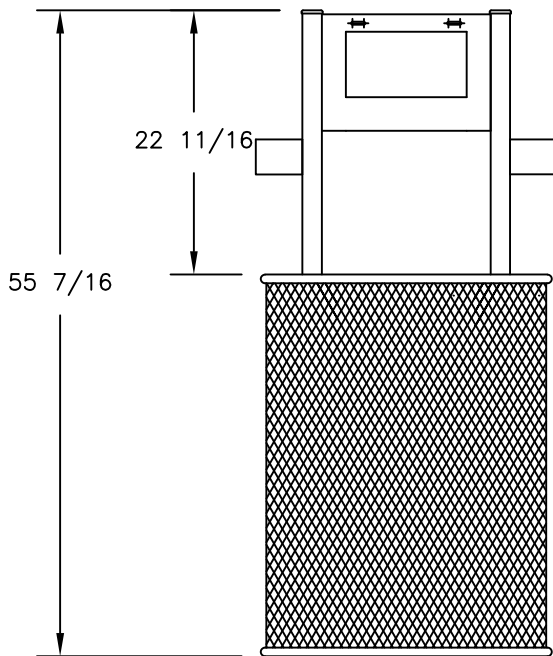
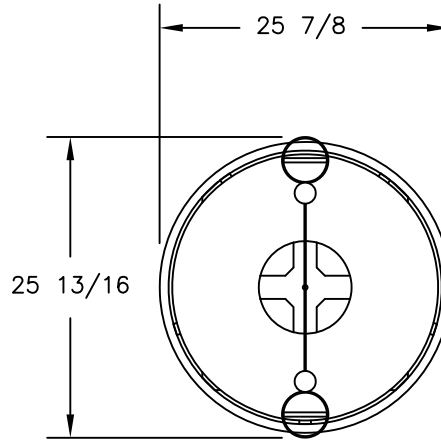
STEP 3

Top slots in Double Dispenser Holder are provided for installation of Paper Dispensers. Use the (H) 1/4-20 x 1 1/2" Screws to attach a Paper Dispensers of choice. Secure with (D) 1/4-20 Finish Nuts, (I) 1/4 x 5/8 Flat Washer, (E) 1/4" Lock Washers.



installation: WARNING: The proper installation for Wabash Valley products may depend upon many factors unique to the site, location, or use of a particular product. Consult with your contractor or other professional to determine your specific installation requirements.

product dimensions:



TRASH RECEPTACLE
NOT INCLUDED. SHOWN
FOR OVERALL DIMENSIONS
WITH DISPENSER HOLDER.