

TF/PF & TG/PG—Trash/Planter

model no:

PF7532P, PG7533P, TF3C32I,
TF3C32P, TF3C32S, TF3D32I,
TF3D32P, TF3D32S, TF3F32I,
TF3F32P, TF3F32S, TG3C33I,
TG3C33P, TG3C33S, TG3D33I, TG3D33P,
TG3D33S, TG3F33I, TG3F33P, TG3F33S

INGROUND, PORTABLE & SURFACE RECEPTACLES & PLANTERS — FAUX WOOD & SLAT

customer service:

ASSEMBLERS: If you find any parts missing or damaged, or if you're having difficulty assembling your furniture/equipment, call us at:

* Before calling, have your product model number available.

1-800-253-8619 (Inside U.S.A.)
260-352-2102 (Outside U.S.A.)
Monday thru Friday,
8:00 AM — 4:30 PM Eastern Time
(EXCEPT HOLIDAYS)

maintenance:

Regular inspection and maintenance of all parts, and fasteners is necessary. Tighten all bolts and nuts. Inspect Tops, Seats, Legs, Braces and Fasteners periodically for wear or vandalism. Replace broken or worn parts immediately or take equipment out of service until repairs are made. Use genuine Urbanscape replacement parts.

KEEP THIS ASSEMBLY/SPECIFICATION SHEET FOR FUTURE REFERENCE.

specifications:

NOTE: We reserve the right to change specifications without notice.

Framework assemblies are finished with powder coating; electrostatically applied and oven cured according to powder manufacturer's specifications. Fasteners are stainless steel to resist corrosion.

RECEPTACLE LEGS:

Legs are constructed of 12 gage x 2 3/8" diameter structural steel tubing. Mounting plate consists of 10 gage sheet steel and gusset supports are 14 gage sheet steel. Base plate on surface mount leg is 7 gage plate steel.

RECEPTACLES/PLANTERS:

All tops, bottom, rings and domes are cast aluminum. Sides are aluminum tubing.

GENERAL DIMENSIONS:

Portable ground space requirements for trash receptacles with flat tops are 24 1/2" diameter x 31 3/4" tall. Surface mount and inground ground space requirements for trash receptacles with flat tops are 24 1/2" diameter x 38 1/2" tall. Portable ground space requirements for trash receptacles with domes are 24 1/2" diameter x 39 1/2" tall. Surface mount and inground ground space requirements for trash receptacles with domes are 24 1/2" diameter x 46 1/4" tall. Portable ground space requirements for trash receptacles with domes with ash trays are 24 1/2" diameter x 39" tall. Surface mount and inground ground space requirements for trash receptacles with domes with ash trays are 24 1/2" diameter x 45 3/4" tall. Planters are 24" diameter x 15" tall.

NOTE: Minor scratches to the faux-wood furniture can be touched up using Wood Finish Touch-Up markers or pens. Some recommended touch-up markers are the MINWAX WOOD FINISH STAIN MARKERS. The cherry marker works well with the wheat faux-wood, the Provincial marker closely matches the weathered and italia, and the Dark Walnut marker matches the espresso faux-wood. The touch-up markers can be obtained at a local hardware store or may also be obtained through Urbanscape by contacting customer service.

assembly procedures: IMPORTANT: Assemblers should be reasonably skilled in the assembly of commercial grade/heavy duty fabricated steel equipment.

To ensure proper assembly, it is suggested that you take adequate time to locate and identify each part. To prevent scratching of the finished pieces, we recommend this unit to be assembled on a clean, flat, solid, surface with a drop cloth, allowing plenty of working room. Also please read the instructions and study the sketches very carefully. A little extra time spent before assembly will be well worth it in performing a complete, proper assembly. Please note that all parts have been pre-cut and pre-drilled.

During the assembly process leave all bolts and nuts "finger tight", until the entire unit is completely assembled. This allows room for movement to level or adjust all seats, tops, benches, framework and braces if necessary. After final adjustment and leveling, permanently tighten all nuts, bolts and fasteners.

7L

FLAT TOP INSTALLATION:

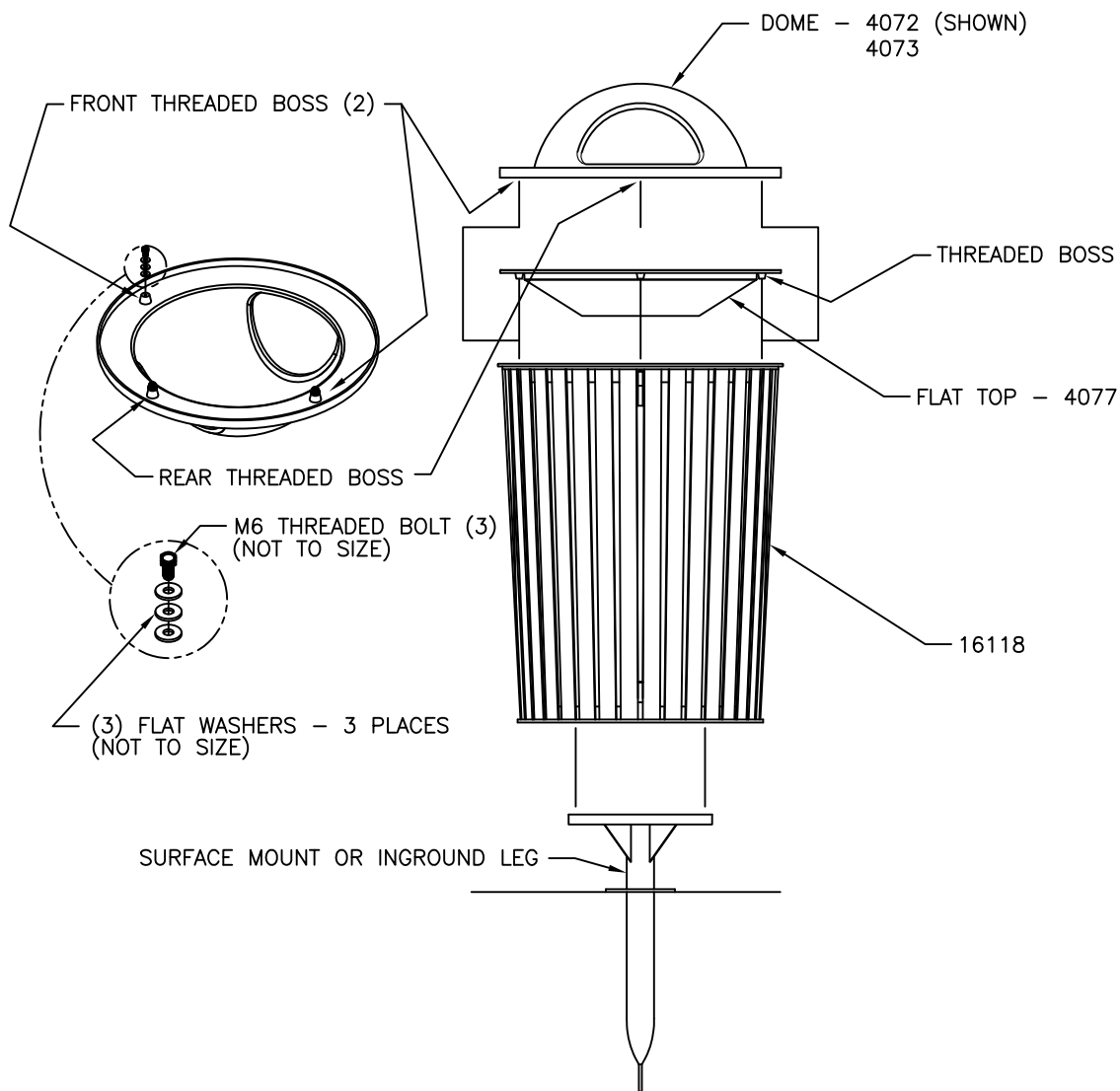
When installing Flat Top (4077) for proper receptacle door clearance use three flat washers, per M6 threaded Bolt (3). Tighten to a snug fit.

DOME TOP INSTALLATION:

When installing Dome (4072 & 4073) for proper receptacle door clearance use three flat washers, per M6 threaded Bolt (3). Tighten to a snug fit.

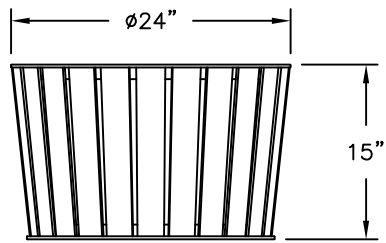
LEG INSTALLATION:

See Leg Hardware Package instructions.

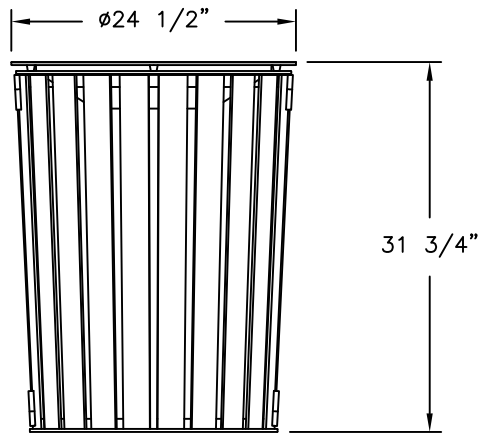


installation: WARNING: The proper installation for Urbanscape products may depend upon many factors unique to the site, location, or use of a particular product. Consult with your contractor or other professional to determine your specific installation requirements.

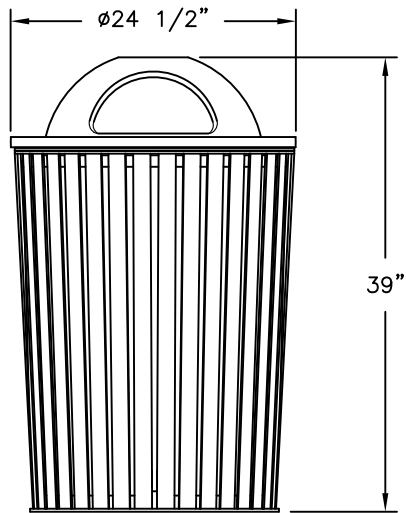
product dimensions:



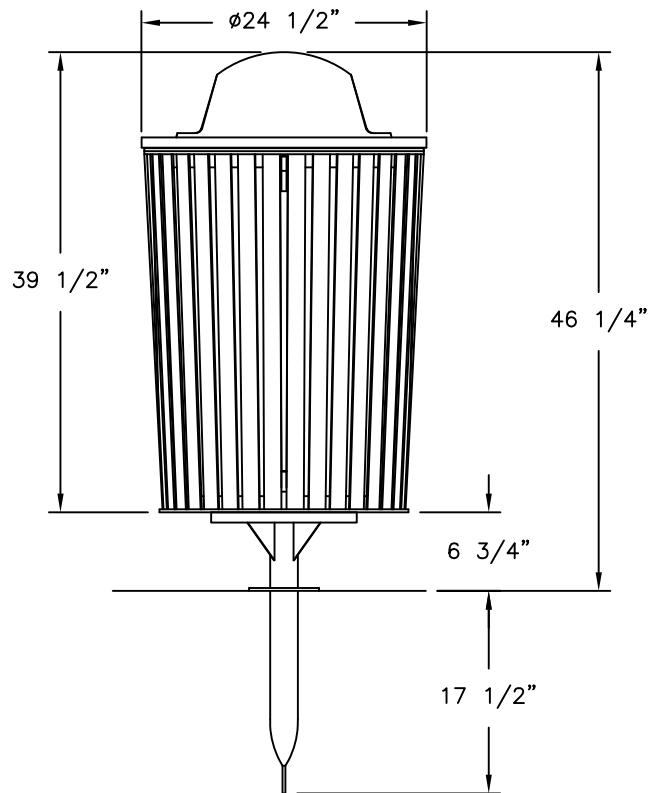
PF7532P/PG7533P



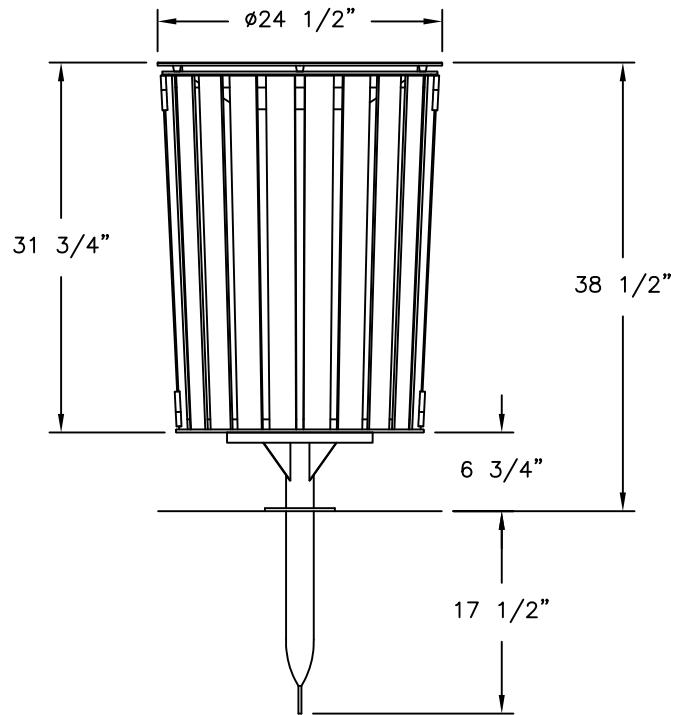
TF3F32P/TG3F33P



TF3C32P/TF3D32P
TG3C33P/TG3D33P



TF3C32I/TF3C32S/TF3D32I/TF3D32S
TG3C33I/TG3C33S/TG3D33I/TG3D33S



TF3F32I/TF3F32S/TG3F33I/TG3F33S