

Camden Series

model no:

CA2Q50C, CA2Q50I

PORTABLE & SURFACE MOUNT TABLE W/ 4 SEATS
42 SOLID TOP AND RND PERF CONCAVE SEATS – PORTABLE AND INGROUND

customer service:

ASSEMBLERS: If you find any parts missing or damaged, or if you're having difficulty assembling your furniture/equipment, call us at:

* Before calling, have your product model number available.

1-800-253-8619 (Inside U.S.A.)

260-352-2102 (Outside U.S.A.)

Monday thru Friday,
8:00 AM – 4:30 PM Eastern Time
(EXCEPT HOLIDAYS)

maintenance:

Regular inspection and maintenance of all parts, and fasteners is necessary. Tighten all bolts and nuts. Inspect Tops, Seats, Legs, Braces and Fasteners periodically for wear or vandalism. Replace broken or worn parts immediately or take equipment out of service until repairs are made. Use genuine Urbanscape replacement parts.

KEEP THIS ASSEMBLY/SPECIFICATION SHEET FOR FUTURE REFERENCE.

specifications:

NOTE: We reserve the right to change specifications without notice.

Framework assemblies are finished with powder coating; electrostatically applied and oven cured according to powder manufacturer's specifications. Fasteners are stainless steel to resist corrosion.

TABLE LEGS:

Legs are made of 12 gage x 2 7/8" od tubing. The brace mounting tab is 7 gage plate along with the seat assembly mounting plate and female screw-in attachment receiver. The top mounting bracket is made of 1/4 flat bar. The surface mount plates are made of 7 gage x 6" steel plate. The inground screw-in attachments are 12 gage x 2 7/8" tubing with a 7 gage insert, and 5/8" threaded stud. The cross brace is of 16 gage x 1 1/4" od tubing with a 12 gage x 2 3/8" od center tube. The mounting plate covers are cast aluminum.

TOP:

The solid tops are spun aluminum with 1/4" aluminum flat bar mounting brackets. The umbrella tube is 2" diameter x 1/8 thick tubing.

SEATS:

The seats consist of 319 Aluminum cast including the mounting brackets.

GENERAL:

The ground space requirements for CA2Q50C is 77 3/4" square. The seat is 10 1/4" wide and 34 1/8" long. The height of seat is 19 3/8". The table is 42" diameter and the overall height of top is 28 3/4".

The ground space requirements for CA2Q50I is 77 3/4" square. The seat is 10 1/4" wide and 34 1/8" long. The height of seat is 19 1/8". The table is 42" diameter and the overall height of top is 28 1/2".

NOTE: When Umbrellas are used on Tables, the Umbrellas must be secured.
Wabash Valley Umbrellas include an Umbrella Collar for securing.

NOTE: Minor scratches to the faux-wood furniture can be touched up using Wood Finish Touch-Up markers or pens. Some recommended touch-up markers are the MINWAX WOOD FINISH STAIN MARKERS. The cherry marker works well with the wheat faux-wood, the Provincial marker closely matches the weathered and italia, and the Dark Walnut marker matches the espresso faux-wood. The touch-up markers can be obtained at a local hardware store or may also be obtained through Urbanscape by contacting customer service.

Finished to Look Like Wood, but Act Like Metal

Our faux-wood finishes so closely resemble the real thing that it's hard to believe it's metal and not wood. The timeless beauty and tradition of wood without any of the headaches, such as cracking, warping or rotting. For superior strength and rigidity, we add reinforcements to the aluminum extrusions for all of our faux-wood-finished products.



AAMA 2604-05 Certification

Our seven-step powder-coat system exceeds AAMA 2604-05 (American Architectural Manufacturers Association) test specifications—one of the highest in the industry. Our coating stood up to some of the toughest test specifications, including adhesion, abrasion resistance, chemical resistance, corrosion resistance and fade resistance, to ensure that our products will last longer than anyone else's.

AAMA 2604-05 test Procedures and Performance Requirements

Test Requirements	Compliance
Salt-Spray Resistance: 3,000 hours per ASTM B 117	Yes
Weathering: Color Retention, 5-year south Florida sun, per ASTM D 2244 with a maximum 5deltaE change	Yes
Weathering: Chalk resistance, 5-year south Florida sun, per ASTM D 4214 with a max rating of 8	Yes
Weathering: Gloss Retention, 5-year south Florida sun, per ASTM D 523 with a min of 30%	Yes
Weathering: Resistance to Erosion, 5-year south Florida sun, with less than 10% film loss	Yes
Chemical Resistance: Muriatic Acid, Mortar, Nitric Acid, Detergent and Window Cleaner	Yes
Dry Film Hardness per ASTM D 3363 with no rupture	Yes
Adhesion: Dry Adhesion, Wet Adhesion and Boiling Water Adhesion using the cross hatch method with 0% failure	Yes

Seven Steps to Long-Lasting Furniture: Our Superior Powder-Coating Process

What's responsible for the good looks and durability of all our products? Our seven-step powder-coating process, which is unlike any other in the industry. While other companies also offer powder-coated products, our seven-step process ensures the highest quality and longevity for our products.

STEP 1—Shot-Blasting to White Metal

First, all of our metal is cleaned to white metal. We strip it to its purest form using our state-of-the-art shot-blast system. This process removes all the impurities from the metal, especially at the weld joints. It's more effective than traditional acid cleaning and also creates a more textured surface, allowing for better adhesion of the powder coat.

STEP 2—Five-Stage Chemical Pre-Treatment

Next, the metal goes through a five-stage chemical pre-treatment cleaning process. It is etched, rinsed and cleaned to eliminate any residue, then it's sealed—further promoting adhesion and encouraging corrosion prevention.

STEP 3—Pre-Heating

Prior to coating, the part is pre-heated so that it can be dried, warmed and then sent directly to the spray booth. With the part heated, it draws powder into the joints, corners and hard-to-reach places to ensure complete coating of the entire surface.

STEP 4—Zinc-Rich Epoxy Coating

After the pre-heating, a Zinc-Rich epoxy powder-coating is applied to provide the highest quality of corrosion control. It works as a prime coat to protect the metal from corrosion before it receives its topcoat.

STEP 5—Zinc-Rich Epoxy Coating Gel-Cure

Next, the Zinc-Rich epoxy coating is cured to a gel, allowing the polyester topcoat to combine with the Zinc-Rich epoxy, promoting better adhesion.

STEP 6—AAMA 2604-Compliant Polyester Topcoat

A polyester topcoat is then applied that's specially formulated to meet AAMA 2604 standards for fading, cracking, chalking, gloss retention, erosion resistance and chemical resistance. No one else in the industry uses this high standard of topcoat. It ensures that our products will maintain their beauty and durability for years to come.

STEP 7—Final Cure

Finally, the metal goes through a cure oven, which hardens the topcoat and completes the integrated bonding between the Zinc-Rich epoxy and AAMA 2604-Compliant Polyester Topcoat.

assembly procedures: IMPORTANT: Assemblers should be reasonably skilled in the assembly of commercial grade/heavy duty fabricated steel equipment.

To ensure proper assembly, it is suggested that you take adequate time to locate and identify each part. To prevent scratching of the finished pieces, we recommend this unit to be assembled on a clean, flat, solid, surface with a drop cloth, allowing plenty of working room. Also please read the instructions and study the sketches very carefully. A little extra time spent before assembly will be well worth it in performing a complete, proper assembly. Please note that all parts have been pre-cut and pre-drilled.

During the assembly process leave all bolts and nuts "finger tight", until the entire unit is completely assembled. This allows room for movement to level or adjust all seats, tops, benches, framework and braces if necessary. After final adjustment and leveling, permanently tighten all nuts, bolts and fasteners.

76

STEP 1

Invert top (4220) and secure legs (7206) to the INSIDE* of the top's mounting brackets using one 5/16" x 1 1/2" Hex Head Bolt and one 5/16" Hex Nut and one 5/16" Split Washer per each bolt.

STEP 2

Attach the 7219 inground tube or 7256 surface mount plate to the 7206 legs depending on the particular unit you purchased.

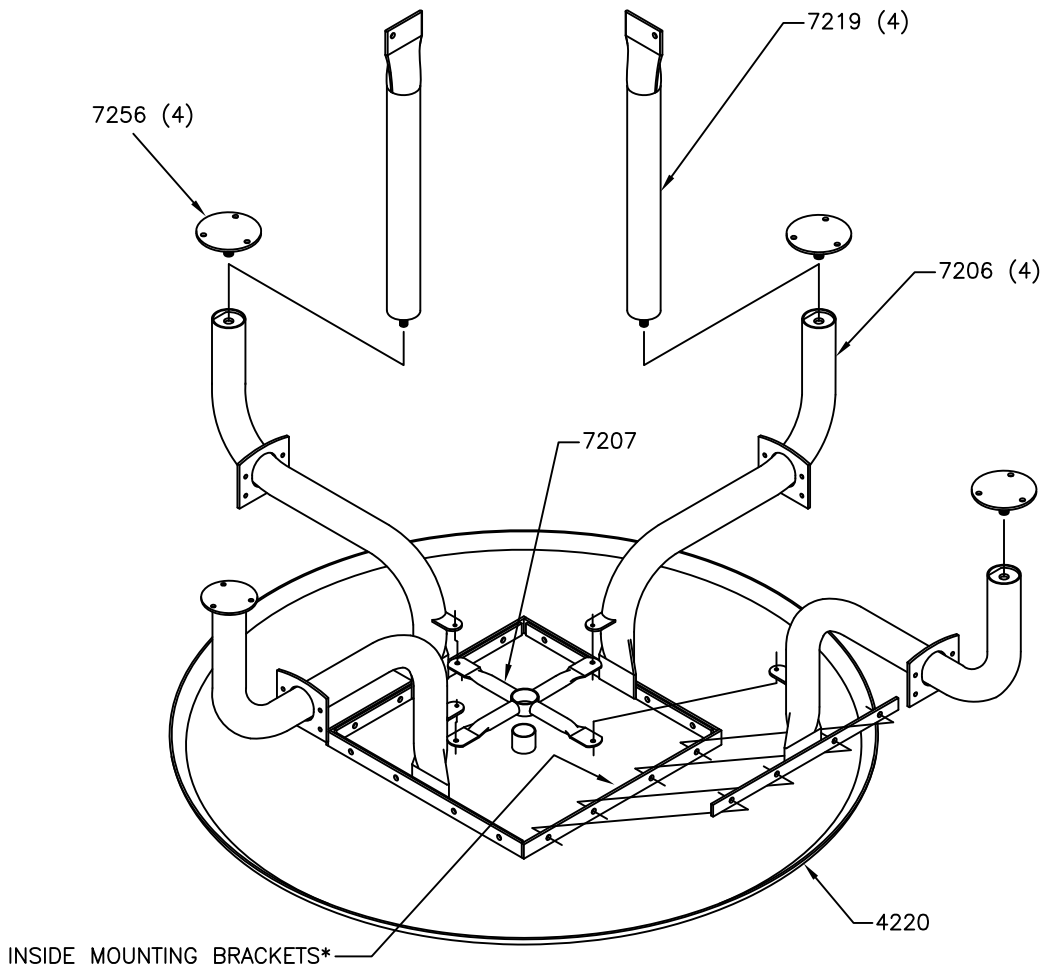
STEP 3

Attach cross brace (7207) to the inverted top side of the mounting tabs on the 7206 legs using one 5/16" x 1" Truss Head Machine Screw, one 5/16" Nut, one 5/16" Split Washer and one Flat Washer per each bolt.

STEP 4

After all parts have been secured carefully rotate tabel to its up right position.

FIG 1

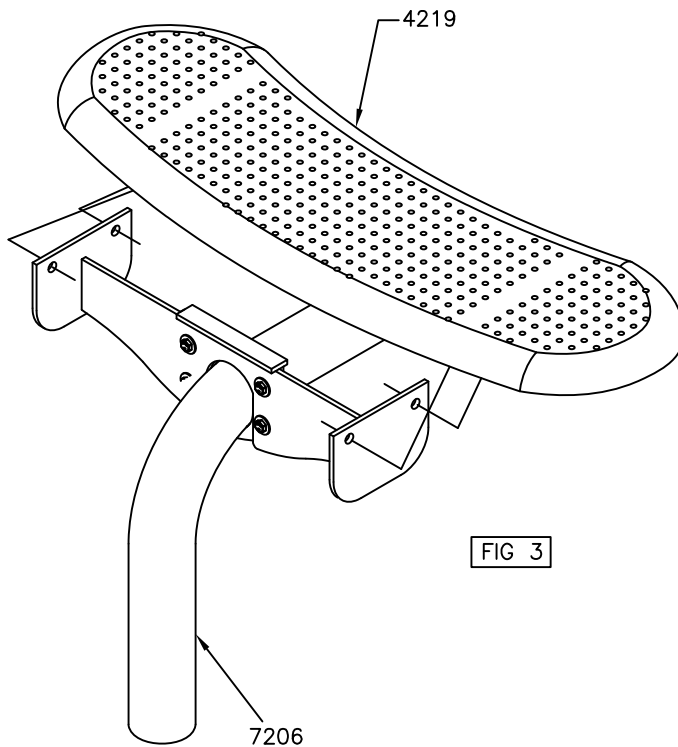
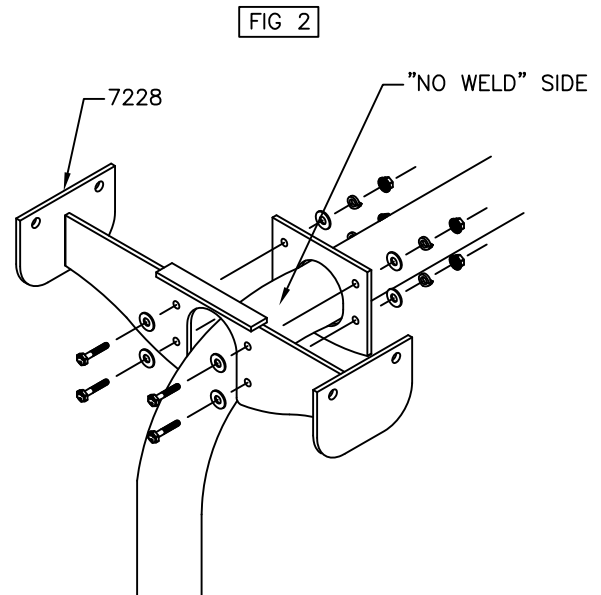


installation: WARNING: The proper installation for Urbanscape products may depend upon many factors unique to the site, location, or use of a particular product. Consult with your contractor or other professional to determine your specific installation requirements.

assembly procedures (con't):

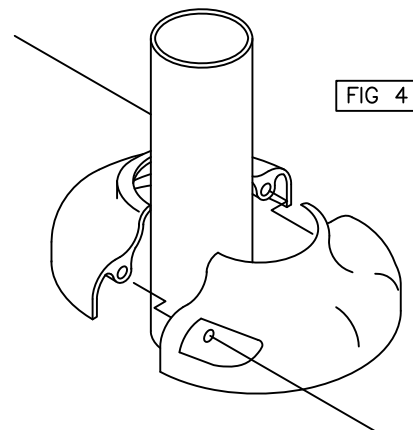
STEP 5

Secure the 7228 seat assembly to the outside of the mounting bracket on the 7206 leg using one 5/16" x 1 1/2" Hex Bolt, one 5/16" Nut, one 5/16" Split Washer and two 5/16" Flat Washers per each bolt. See FIG. 2. NOTE: Be sure seat assembly is assembled to leg with "NO WELD" side against leg mounting plate.



STEP 6

Attach each seat (4219) to each leg (7206) using four 5/16" x 1 1/2" Hex Bolts, one 5/16" Nut, one 5/16" Split Washer and two 5/16" Flat Washers per each bolt. See FIG. 3. Level all seats and top, and tighten with proper tools.



STEP 7

Place 7121 Bell Cover halves around legs and secure and secure with two 1/4" x 1" Machine Screws, see FIG. 4.

INGROUND INSTALLATION

STEP 8

Prepare four foundation holes to a depth beyond the length of the inground tube. Block the inground unit suspending it to the 28 1/2" table height. Pour the concrete to form the footing and let cure for 48 hours.

NOTE: Be sure to level top and seats prior to curing of concrete.

STEP 9

Level table and tighten with proper tools.

product dimensions:

