

# Brookstone Series

model no:

*BR042-361424*

*BR042-481424*

*BR042-601424*

*BR042-721836*

042 MONSOON PLANTERS

---

## customer service:

ASSEMBLERS: If you find any parts missing or damaged, or if you're having difficulty assembling your furniture/equipment, call us at:

\* Before calling, have your product model number available.

1-800-253-8619 (Inside U.S.A.)

260-352-2102 (Outside U.S.A.)

Monday thru Friday,

8:00 AM - 4:30 PM Eastern Time

(EXCEPT HOLIDAYS)

---

## maintenance:

Place unit on a flat secure surface. Periodically check unit for damage and replace if necessary. Clean surface with soap and water.

KEEP THIS ASSEMBLY/SPECIFICATION SHEET FOR FUTURE REFERENCE.

---

## specifications:

NOTE: We reserve the right to change specifications without notice.

### 042 PLANTERS:

All the Brookstone planters are fabricated from UV- and scratch resistant fiberglass. Each style is in either Bronze, Copper or Matte Black finishes.

### GENERAL:

The BR042-361424 overall ground space requirements are 14" x 36" at the top. The height is 24". The base is 35 1/2" x 13 1/2" respectively.

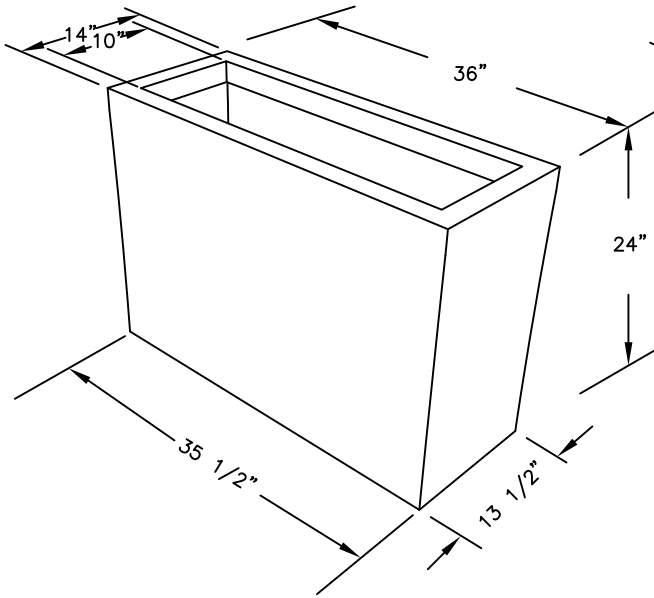
The BR042-481424 overall ground space requirements are 14" x 48" at the top. The height is 24". The base is 47 1/2" x 13 1/2" respectively.

The BR042-601424 overall ground space requirements are 14" x 60" at the top. The height is 24". The base is 59 1/2" x 13 1/2" respectively.

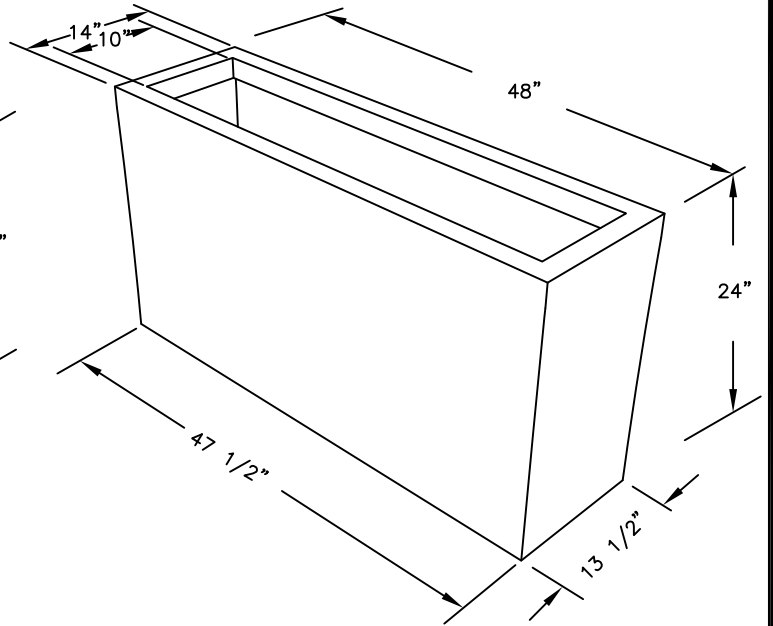
The BR042-721836 overall ground space requirements are 18" x 72" at the top. The height is 36". The base is 71 1/2" x 17 1/2" respectively.

product dimensions:

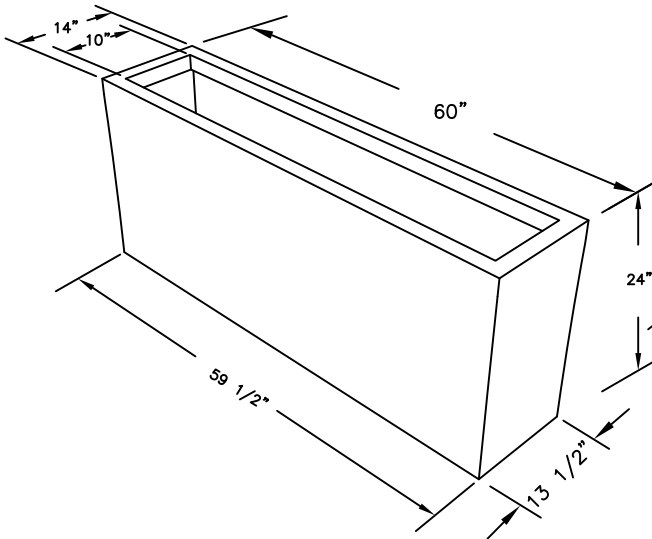
BR042-361424



BR042-481424



BR042-601424



BR042-721836

