

model no:

UP427D, UP427P, UP427R, UP427S,
UP428D, UP428P, UP428R, UP428S

UPTOWN SERIES

8' BENCH WITH & WITHOUT ARM
EXPANDED METAL, RIB, PERFORATED, & SLAT

customer service:

ASSEMBLERS: If you find any parts missing or damaged, or if you're having difficulty assembling your furniture/equipment, call us at:

* Before calling, have your product model number available.

1-800-253-8619 (Inside U.S.A.)

260-352-2102 (Outside U.S.A.)

Monday thru Friday,
8:00 AM - 4:30 PM Eastern Time
(EXCEPT HOLIDAYS)

maintenance:

Regular inspection and maintenance of all parts, and fasteners is necessary. Tighten all bolts and nuts. Inspect Tops, Seats, Legs, Braces and Fasteners periodically for wear or vandalism. Replace broken or worn parts immediately or take equipment out of service until repairs are made. Use genuine Wabash Valley replacement parts.

To restore plastisol coating to its luster after prolonged use, wash/rinse/dry and use Armor-All ® or similar quality vinyl protectant.

KEEP THIS ASSEMBLY/SPECIFICATION SHEET FOR FUTURE REFERENCE.

specifications:

NOTE: We reserve the right to change specifications without notice.

Heat fused poly-vinyl coating, finished on inner-metal structure, to an approximate 3/16" thickness. Framework assemblies are finished with powder coating; electrostatically applied and oven cured according to powder manufacturer's specifications. Fasteners are stainless steel to resist corrosion.

BENCH LEG:

Leg with and with out arm is constructed of 1 5/8" od x 12 gage structural steel tubing. Foot pads are 10 gage sheet steel.

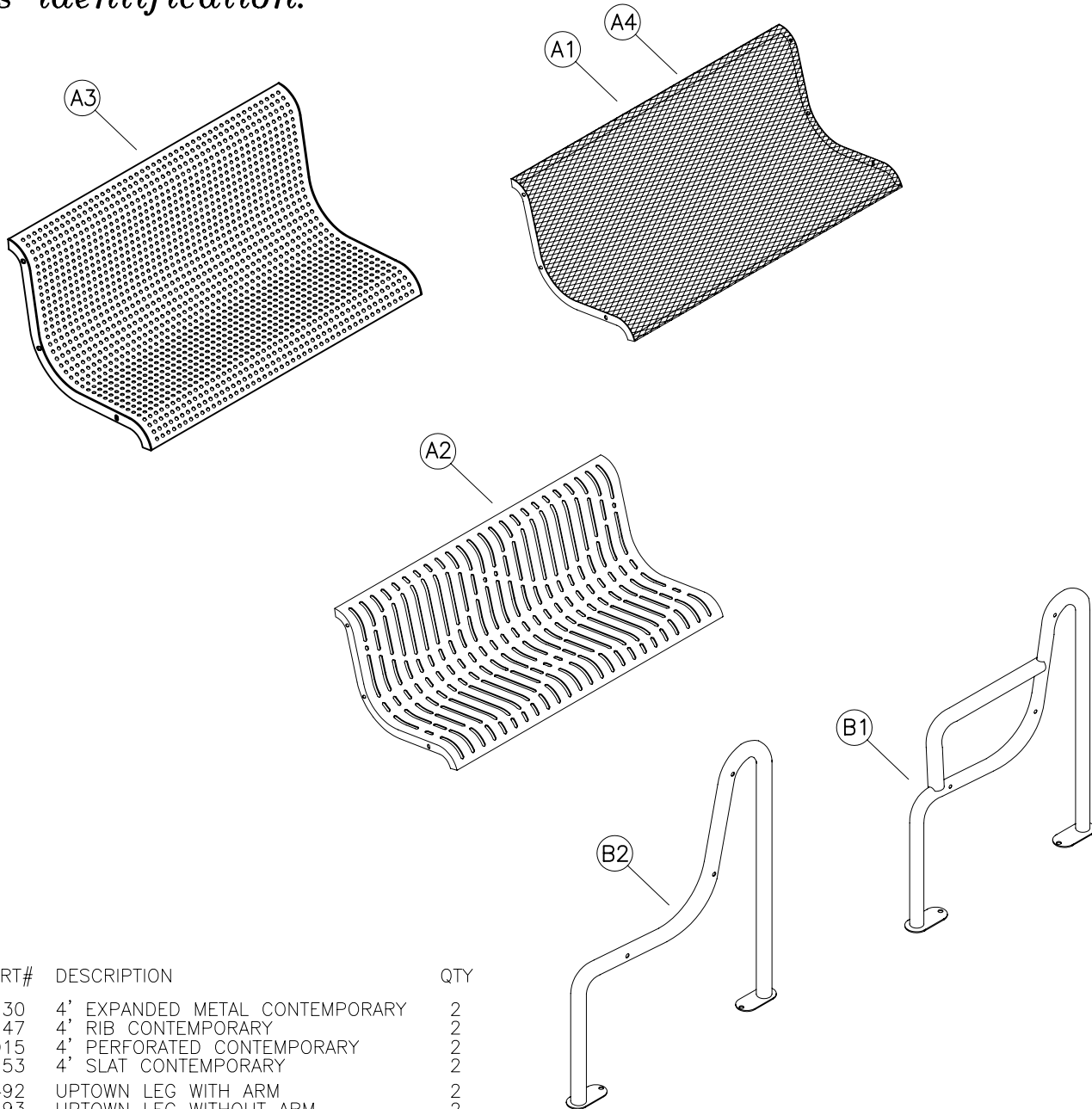
BENCH SEAT:

Expanded metal seat uses fabricated 3/4" #9 steel. Rib uses 10 gage and perforated seats use 12 gage sheet steel. Slats are 3/16" x 2 1/4" flat bar. The bench's frame/mounting brackets are 10 gage sheet steel. The ends of the rolled side use 1/4" x 1 1/4" steel flat bar for support.

GENERAL:

8' contemporary bench ground space requirements are 28 7/8" x 101". The bench seat is 48 1/8" long x 25 1/2" wide and 17 3/4" to the top of the lowest part in the bench's seat.

parts identification:



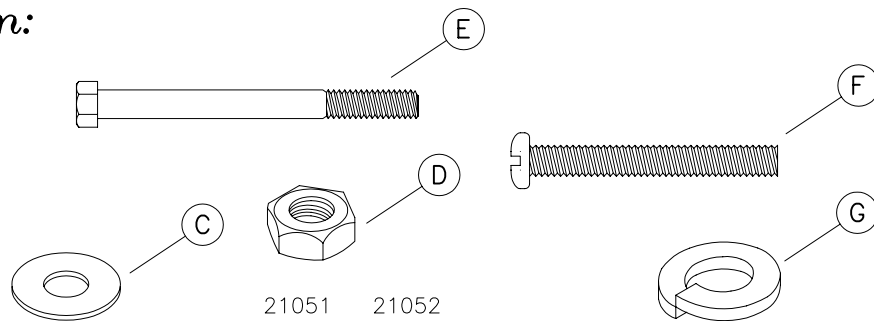
| ITEM | PART# | DESCRIPTION | QTY |
|------|-------|--------------------------------|-----|
| A1 | 7930 | 4' EXPANDED METAL CONTEMPORARY | 2 |
| A2 | 7947 | 4' RIB CONTEMPORARY | 2 |
| A3 | 8015 | 4' PERFORATED CONTEMPORARY | 2 |
| A4 | 8153 | 4' SLAT CONTEMPORARY | 2 |
| B1 | 7492 | UPTOWN LEG WITH ARM | 2 |
| B2 | 7493 | UPTOWN LEG WITHOUT ARM | 2 |

DRAWINGS NOT TO SCALE

hardware identification:

ASSEMBLY TOOLS REQUIRED

- 1 - REGULAR TIP SCREWDRIVER
- 2 - 1/2" WRENCHES
- 1 - 3' OR 6' LEVEL



ITEMS INCLUDED IN HARDWARE PACKAGE#

| ITEM | PART# | DESCRIPTION | 21051 QTY | 21052 QTY |
|------|-------|-------------------------------------|-----------|-----------|
| C | 17028 | 3/8" FLAT WASHER - SS | 6 | 6 |
| D | 17032 | 5/16-18 HEX FINISH NUT - SS | 6 | 3 |
| E | 17053 | 5/16-18 x 3 1/2" HEX HEAD BOLT - SS | 0 | 3 |
| F | 17033 | 5/16-18 x 2 1/2" MACHINE SCREW - SS | 6 | 0 |
| G | 17050 | 5/16" SPLIT LOCK WASHER - SS | 6 | 3 |

assembly procedures: IMPORTANT: Assemblers should be reasonably skilled in the assembly of commercial grade/heavy duty fabricated steel equipment.

To ensure proper assembly, it is suggested that you take adequate time to locate and identify each part. To prevent scratching of the finished pieces, we recommend this unit to be assembled on a clean, flat, solid, surface with a drop cloth, allowing plenty of working room. Also please read the instructions and study the sketches very carefully. A little extra time spent before assembly will be well worth it in performing a complete, proper assembly. Please note that all parts have been pre-cut and pre-drilled.

During the assembly process leave all bolts and nuts "finger tight", until the entire unit is completely assembled. This allows room for movement to level or adjust all seats, tops, benches, framework and braces if necessary. **After final adjustment and leveling, permanently tighten all nuts, bolts and fasteners.**

7L

STEP 1:

Stand one (B1 or B2) leg upright on its feet. Lift upward on the arm and pivot on the rear foot pad until the leg is lying on its back, see FIG. 1. Be sure to prop leg on both sides to prevent tipping. Place (A-) seat next to the leg and rotate upward to match position of leg.

STEP 2:

Align holes of the seat's frame/mounting bracket to the holes on the leg. Use three (F) and (D) with one (C) and (G) per (F). NOTE: Washers (C) and (G) must be used on the seat side.

STEP 3:

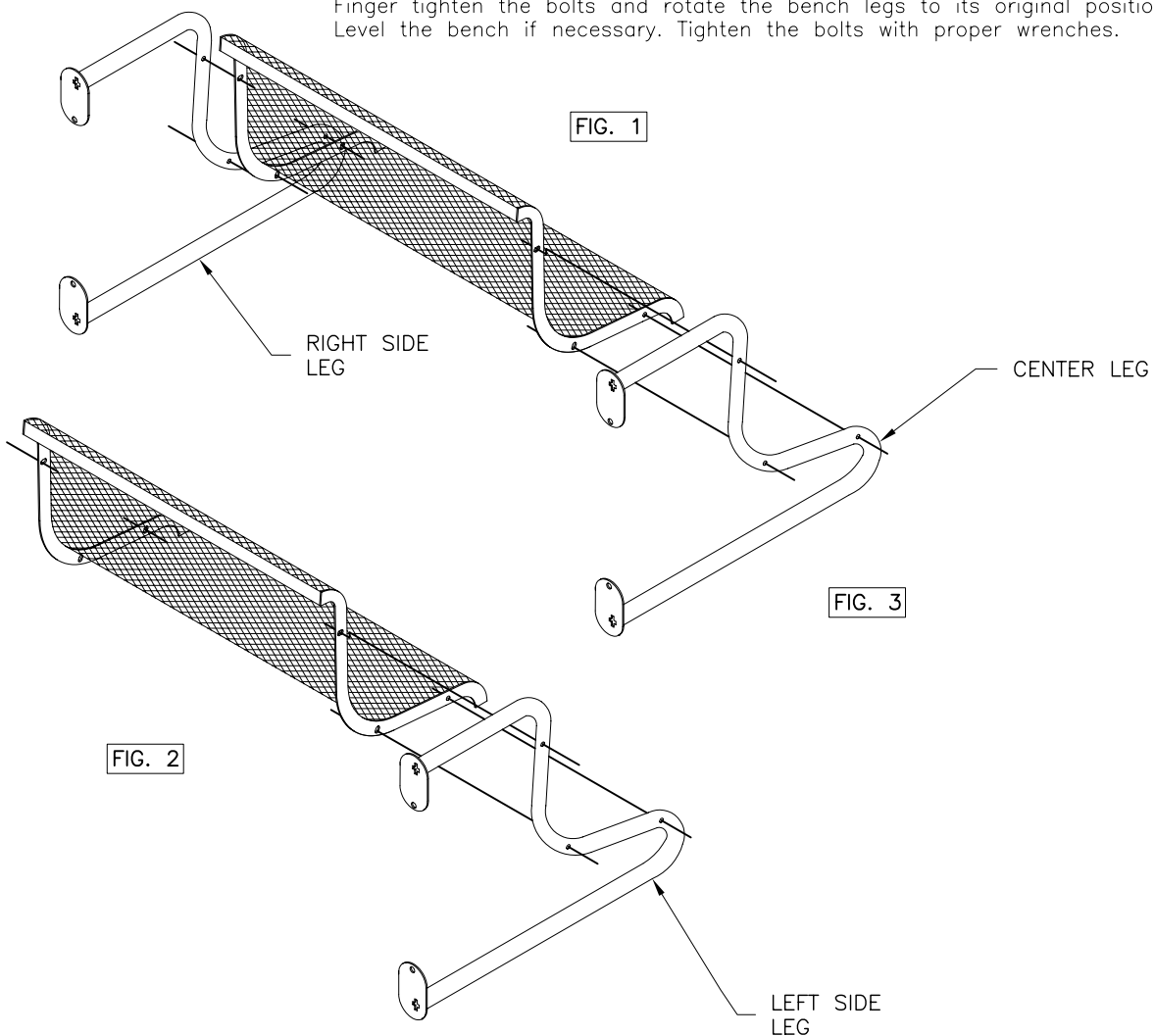
Repeat STEP 1 and STEP 2 to complete installation of the opposite end of the second seat, (A-). See FIG 2.

STEP 4:

Align both ends of the two assemblies previously assembled with (B1) or (B2) center leg bolt holes. See FIG 3. Bolt center leg (B1) or (B2) to each end of benches. Use three (E) and (D) using two (C) and one (G) per (E). Flat washers (C) must be used on the seat sides.

STEP 5

Finger tighten the bolts and rotate the bench legs to its original position in STEP 1. Level the bench if necessary. Tighten the bolts with proper wrenches.



installation: WARNING: The proper installation for Wabash Valley products may depend upon many factors unique to the site, location, or use of a particular product. Consult with your contractor or other professional to determine your specific installation requirements.

product dimensions:

