

*model no:*

# LR305P, LR305R

## ACCESSORIES

32 GAL. DOOR RECEPTACLES

## *customer service:*

ASSEMBLERS: If you find any parts missing or damaged, or if you're having difficulty assembling your furniture/equipment, call us at:

\* Before calling, have your product model number available.

**1-800-253-8619 (Inside U.S.A.)**

**260-352-2102 (Outside U.S.A.)**

Monday thru Friday,

8:00 AM - 4:30 PM Eastern Time

(EXCEPT HOLIDAYS)

## *maintenance:*

Regular inspection and maintenance of all parts, and fasteners is necessary. Tighten all bolts and nuts. Inspect Tops, Seats, Legs, Braces and Fasteners periodically for wear or vandalism. Replace broken or worn parts immediately or take equipment out of service until repairs are made. Use genuine Wabash Valley replacement parts.

To restore plastisol coating to its luster after prolonged use, wash/rinse/dry and use Armor-All ® or similar quality vinyl protectant.

KEEP THIS ASSEMBLY/SPECIFICATION SHEET FOR FUTURE REFERENCE.

## *specifications:*

NOTE: We reserve the right to change specifications without notice.

Heat fused poly-vinyl coating, finished on inner-metal structure, to an approximate 3/16" thickness.

Framework assemblies are finished with powder coating; electrostatically applied and oven cured according to powder manufacturer's specifications. Fasteners are stainless steel to resist corrosion.

### TRASH RECEPTACLES:

Rib panel is 10 gage and perforated panel is 12 gage sheet metal. A 3/4" diameter steel tube is used to add support at the top and bottom. The door panels are 12 gage sheet metal. The bottom is 14 gage sheet steel.

### GROUND SPACE REQUIRMENTS:

Ground space requirments are 25 3/8" diameter x 34 7/8" - Perf and 34 1/2" - Rib, tall. With door open to remove liner the width is 36 3/8". If a leg is used the height will be an additional 6".

### LIDS:

FT100N and FT110N consist of 18 gage steel. FT100N overall diameter is 22 7/8" and 1 3/4" tall with opening of 8" diameter. FT110N overall diameter is 22 7/8" and 1 3/4" tall with opening of 14" diameter. AL100N is a cast aluminum ash and trash lid.

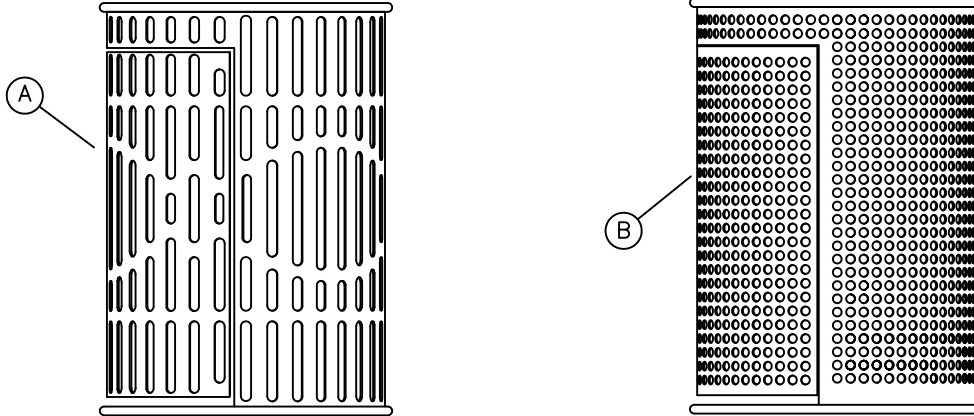
DT100N consist of 3/16" thick injection molded structural thermo plastic. Dome is 10" high x 18" in diameter. Hole opening is 10" x 7 1/2" with spring loaded swing type door. The base is 22 3/4" in diameter with a skirt length of 1 5/8".

SB100N and AB100N consist of FT100N top with solid bonnet or ash tray on it. TB100N consist of FT110N top with tray return, made of 14 gage galvaneal. The shelf is 14" deep, 18" wide and is 8" above the flat top. Trim material is flexible embossed vinyl metal core.

### LEG PACKAGES:

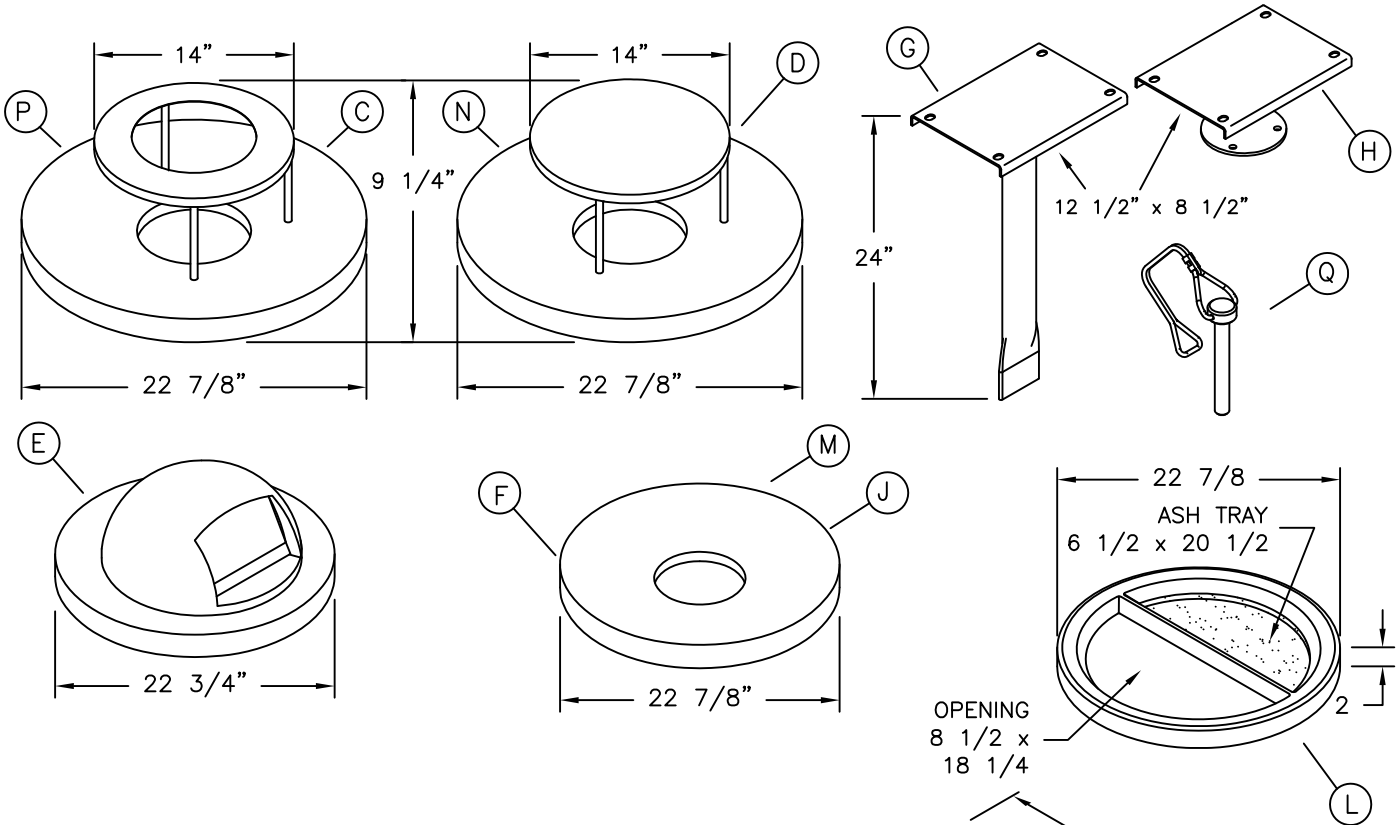
Leg packages LR100N and LR105N consist of 2 3/8" od x 12 gage galvanized structural steel tubing and use 14 gage sheet steel for the mounting plate and gussets to add support. The surface mount leg uses 1/4" plate steel for its surface mount plate.

parts identification:



ITEM	PART#	DESCRIPTION	QTY
A	9500	32 GAL RIB RECEPTACLE	1
B	9501	32 GAL PERFORATED RECEPTACLE	1

accessories:



ITEM	PART#	DESCRIPTION:	QTY
C	AB100N	OPEN BONNET WITH DOWNWARD SLANT	1
D	SB100N	SOLID BONNET WITH DOWNWARD SLANT	1
E	DT100N	DOME TOP LID	1
F	FT100N	8" OPENING FLAT TOP - DOWNWARD SLANT	1
G	LR100N	INGROUND POST	1
H	LR105N	SURFACE MOUNT POST	1
J	FT110N	14" OPENING FLAT TOP - DOWNWARD SLANT	1
K	TB100N	FLAT TOP LID W/TRAY RETURN	1
L	AL100N	32 GAL CAST ASH/TRASH LID	1
M	FT105N	8" OPENING FLAT TOP - UPWARD SLANT	1
N	SB105N	SOLID BONNET WITH UPWARD SLANT	1
P	AB105N	OPEN BONNET WITH UPWARD SLANT	1
Q	19126	LATCH PIN	1

Not Shown: Ash Tray Insert - Replacement part number: 19064

## assembly procedures:

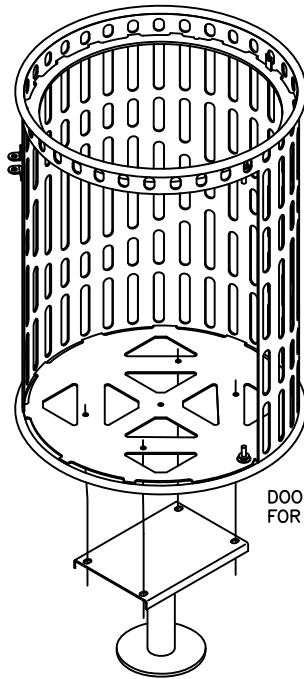
**IMPORTANT:** Assemblers should be reasonably skilled in the assembly of commercial grade/heavy duty fabricated steel equipment.

To ensure proper assembly, it is suggested that you take adequate time to locate and identify each part. To prevent scratching of the finished pieces, we recommend this unit to be assembled on a clean, flat, solid, surface with a drop cloth, allowing plenty of working room. Also please read the instructions and study the sketches very carefully. A little extra time spent before assembly will be well worth it in performing a complete, proper assembly. Please note that all parts have been precut and pre-drilled.

During the assembly process leave all bolts and nuts "finger tight", until the entire unit is completely assembled. This allows room for movement to level or adjust all seats, tops, benches, framework and braces if necessary. After final adjustment and leveling, permanently tighten all nuts, bolts and fasteners.

76

FIG. 1



STEP 1: Place inground post in concrete footer, making sure to keep post perpendicular to the ground, and allowing 6" of clearance between the ground and mounting plate.

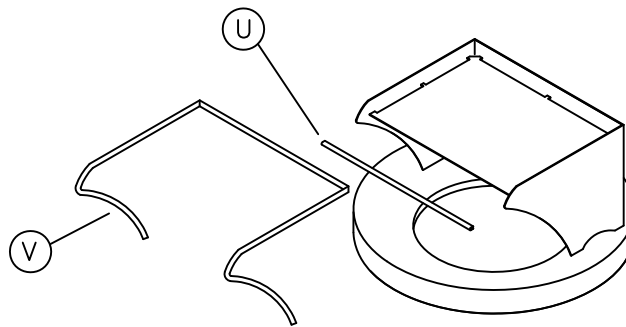
STEP 2: After allowing concrete to harden, 48 hours, place the trash receptacle on the mounting plate. Align the holes in the trash receptacle base plate and the holes in the mounting plate of the inground post, see FIG. 1.

STEP 3: Bolt trash receptacle using four (R) and (T) with two (S) per (R).

## TRIM INSTALLATION

STEP 1: Using rubber mallet and starting at one end, gently tap (U) in place on front edge of tray return shelf.

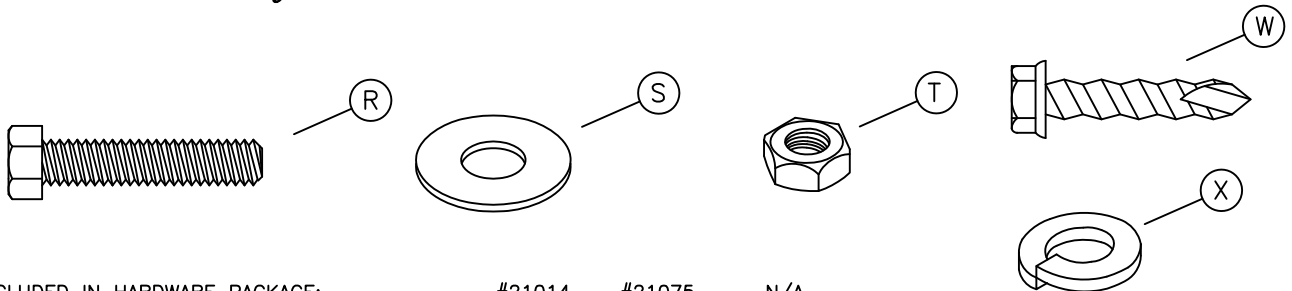
STEP 2: Using rubber mallet and starting at one end, gently tap (V) onto front and top edge of vertical support of tray return.



## installation:

**WARNING:** The proper installation for Wabash Valley products may depend upon many factors unique to the site, location, or use of a particular product. Consult with your contractor or other professional to determine your specific installation requirements.

## hardware identification:

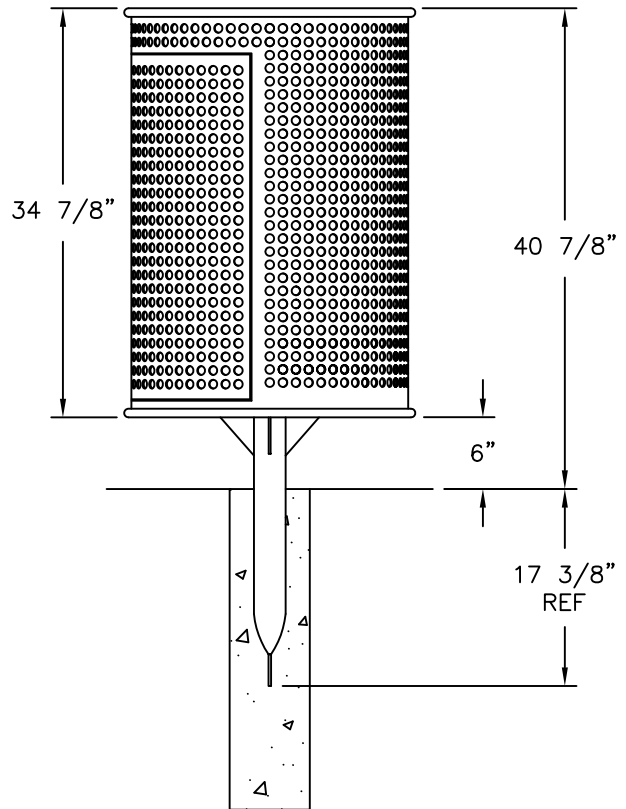
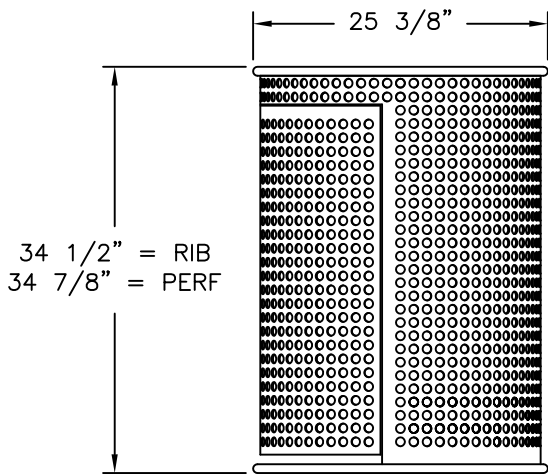
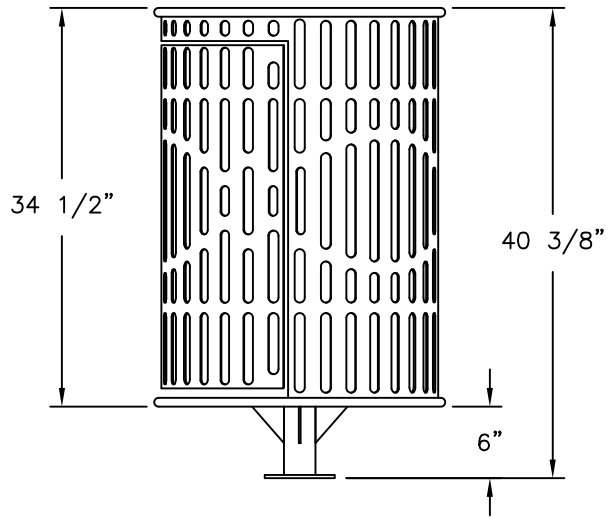
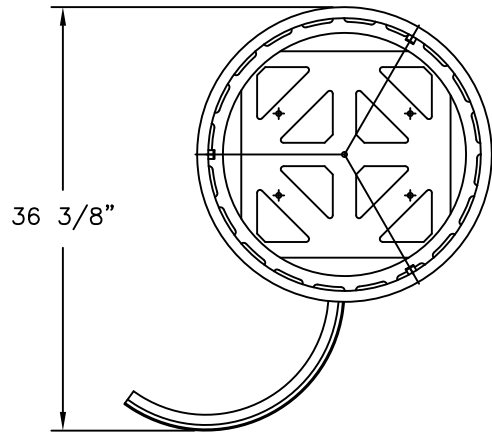


ITEMS INCLUDED IN HARDWARE PACKAGE:		#21014	#21075	N/A	
ITEM	PART#	DESCRIPTION:	QTY	QTY	QTY
R	17011	5/16-18 x 1 1/2" HEX HEAD BOLT - SS	4	0	0
S	17028	3/8" FLAT WASHER - SS	8	0	0
T	17032	5/16-18 NYLOC NUT - SS	4	0	0
U	19045	TRIM x 18" LONG	0	1	0
V	19045	TRIM x 71 3/4" LONG	0	1	0
W	17110	#12-14 x 1 #3 Pnt Self-tapping Screw	0	0	3
X	17050	5/16" SPLIT LOCK WASHER - SS	4	0	0

### ASSEMBLY TOOLS REQUIRED

- 2 - 1/2" WRENCHES
- 1 - 3' OR 6' LEVEL
- 1 - RUBBER Mallet

parts identification/product dimensions:



assembly procedures, cont'd:

LATCH PIN ASSEMBLY

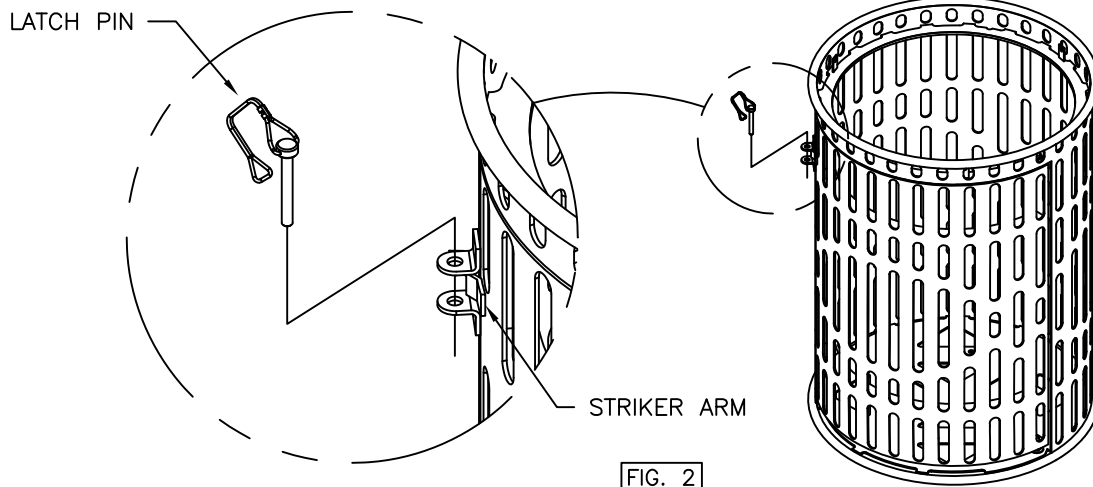


FIG. 2

STEP 1: Rotate receptacle door to closed position; striker arm makes contact with trash receptacle. Open latch pin (Q), engage pin into holes on trash receptacle and close latch pin. See FIG. 2.

FLAT TOP ASSEMBLY

STEP 1: Lower flat top, dome or tray return top onto receptacle, making sure the lip is lowered to the outside of the vertical straps.

STEP 2: Open side door. Hold top in place, and using the holes in the receptacle vertical straps as a template, secure top to receptacle with three (W) self-drilling, self-tapping screws. See FIG. 3.

3 PLACES  
PART ENLARGED  
FOR CLARITY  
NOT ACTUAL SIZE

DOOR NOT SHOWN  
FOR CLARITY

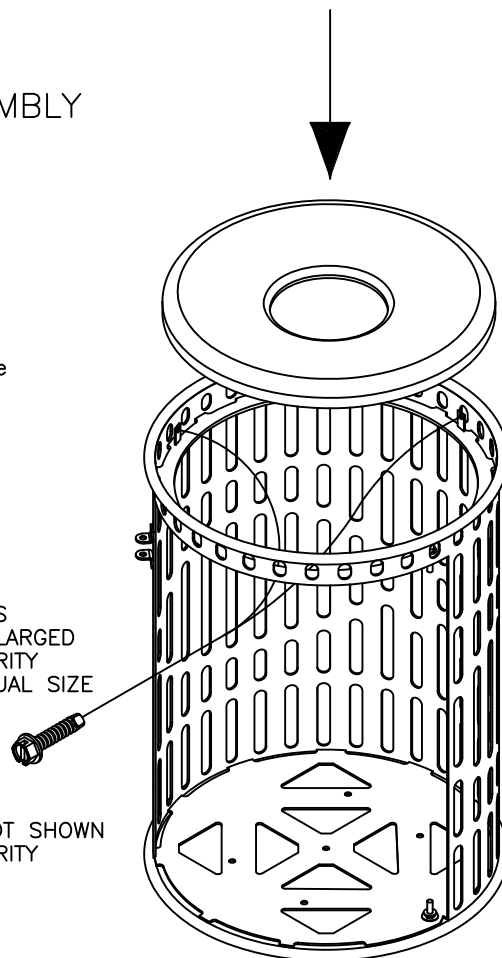


FIG. 3