

*model no:*

# SP511, SP520, SP530

## SPECIALTY ITEMS

BASKET TRUCKS  
EXPANDED METAL

## *customer service:*

ASSEMBLERS: If you find any parts missing or damaged, or if you're having difficulty assembling your furniture/equipment, call us at:

\* Before calling, have your product model number available.

1-800-253-8619 (Inside U.S.A.)

260-352-2102 (Outside U.S.A.)

Monday thru Friday,

8:00 AM - 4:30 PM Eastern Time

(EXCEPT HOLIDAYS)

## *maintenance:*

Regular inspection and maintenance of all parts, and fasteners is necessary. Tighten all bolts and nuts. Inspect Tops, Seats, Legs, Braces and Fasteners periodically for wear or vandalism. Replace broken or worn parts immediately or take equipment out of service until repairs are made. Use genuine Wabash Valley replacement parts.

To restore plastisol coating to its luster after prolonged use, wash/rinse/dry and use Armor-All ® or similar quality vinyl protectant.

KEEP THIS ASSEMBLY/SPECIFICATION SHEET FOR FUTURE REFERENCE.

## *specifications:*

NOTE: We reserve the right to change specifications without notice.

Heat fused poly-vinyl coating, finished on inner-metal structure, to an approximate 3/16" thickness. Framework assemblies are finished with powder coating; electrostatically applied and oven cured according to powder manufacturer's specifications. Fasteners are stainless steel to resist corrosion.

### BASKET TRUCKS:

All Basket Trucks are fabricated with 3/4 No. 9 expanded metal and is framed with 1/4" flat bar steel and 10 gage sheet steel. The top perimeter is fabricated with 1/2" rod. All Basket Trucks bottoms consist of 10 gage sheet steel corner plates and 3/4 No. 9 expanded metal. The bottom caster mounting plates consist of 10 gage formed sheet steel. On the 30 and 40 bushel units only, the long side of expanded metal is reinforced with 1/4" flat bar steel.

### CASTERS:

Casters consist of 1/8" fabricated sheet steel. The wheel is 1 1/2" wide x 5" diameter and is made of polyoefin plastic. Swivel radius is 4 5/16". Overall height is 6 3/8".

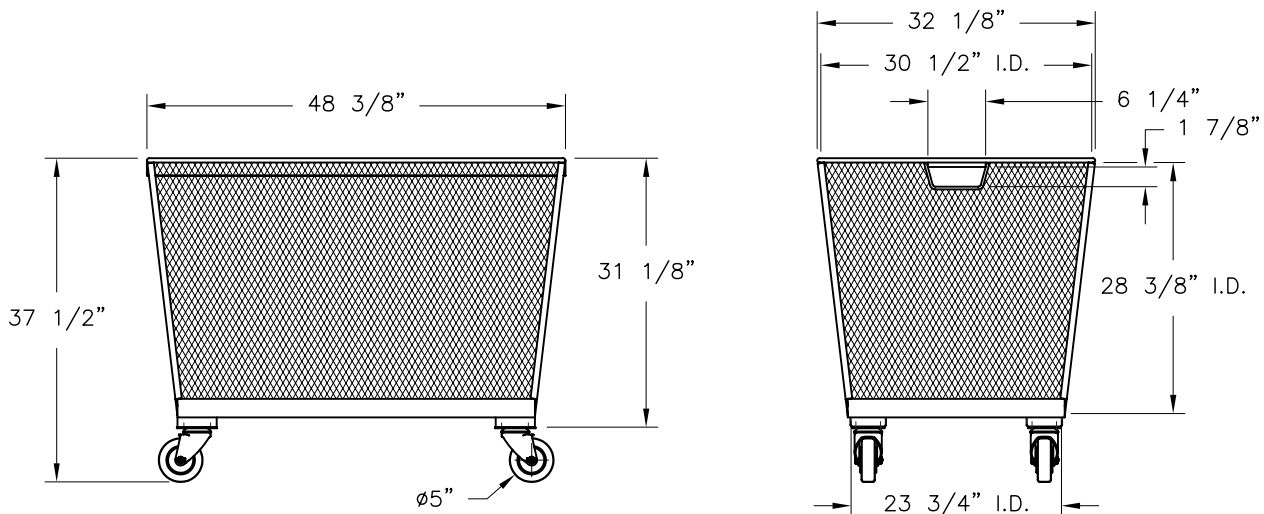
### GENERAL:

The ground space requirements for the SP511 is 32 1/8" wide x 48 3/8" long. The height of unit is 37 1/2" high, including the 5" swivel casters.

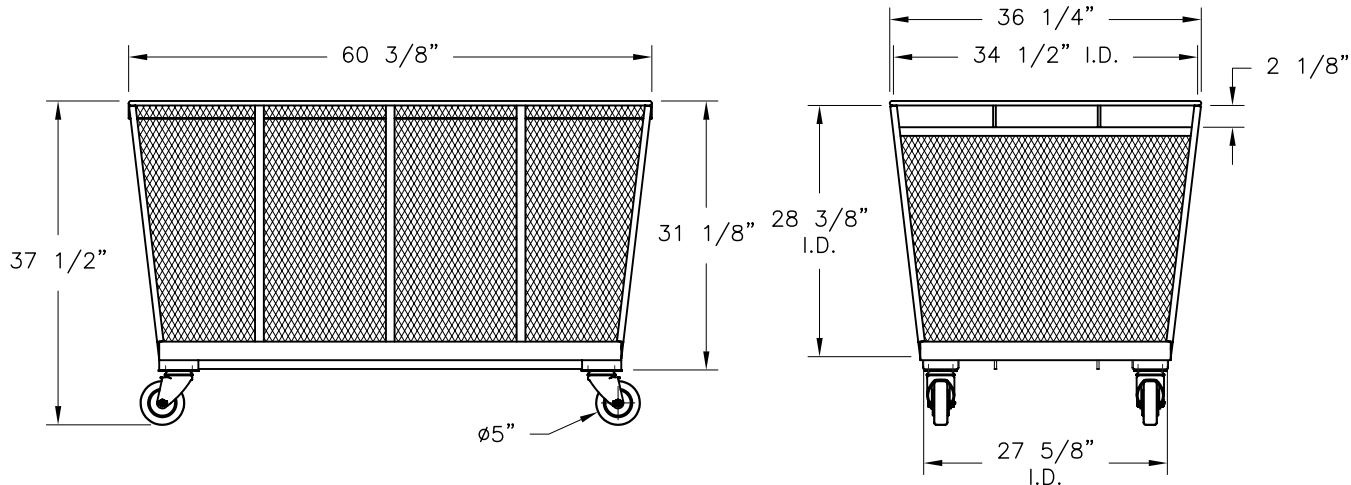
The ground space requirements for the SP520 is 36 1/4" wide x 60 3/8" long. The height of unit is 37 1/2" high, including the 5" swivel casters.

The ground space requirements for the SP530 is 48 1/4" wide x 60 3/8" long. The height of unit is 37 1/2" high, including the 5" swivel casters.

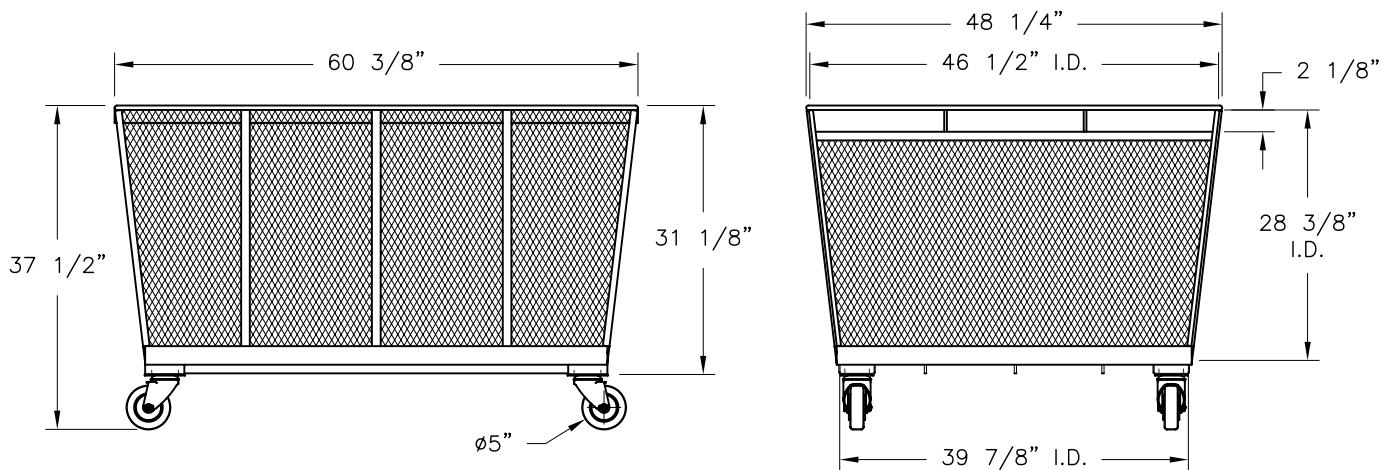
parts identification/product dimensions:



SP511  
20-BUSHEL BASKET TRUCK - 5" CASTER  
X.M.



SP520  
30-BUSHEL BASKET TRUCK - 5" CASTER  
X.M.



SP530  
40-BUSHEL BASKET TRUCK - 5" CASTER  
X.M.