

*model no:*

SP115D, SP115P, SP120D, SP120P,  
SP210D, SP210P, SP215D, SP215P,  
SP225D, SP225P, SP230D, SP230P

**SPECIALTY ITEMS**

46" RND. & SQ. GAME TABLE, EXPANDED METAL & PERFORATED  
PORTABLE & INGROUND BASIC FRAME

*customer service:*

ASSEMBLERS: If you find any parts missing or damaged, or if you're having difficulty assembling your furniture/equipment, call us at:

\* Before calling, have your product model number available.

1-800-253-8619 (Inside U.S.A.)

260-352-2102 (Outside U.S.A.)

Monday thru Friday,

8:00 AM - 4:30 PM Eastern Time

(EXCEPT HOLIDAYS)

*maintenance:*

Regular inspection and maintenance of all parts, and fasteners is necessary. Tighten all bolts and nuts. Inspect Tops, Seats, Legs, Braces and Fasteners periodically for wear or vandalism. Replace broken or worn parts immediately or take equipment out of service until repairs are made. Use genuine Wabash Valley replacement parts.

To restore plastisol coating to its luster after prolonged use, wash/rinse/dry and use Armor-All ® or similar quality vinyl protectant.

KEEP THIS ASSEMBLY/SPECIFICATION SHEET FOR FUTURE REFERENCE.

*specifications:*

NOTE: We reserve the right to change specifications without notice.

Heat fused poly-vinyl coating, finished on inner-metal structure, to an approximate 3/16" thickness.

Framework assemblies are finished with powder coating; electrostatically applied and oven cured according to powder manufacturer's specifications. Fasteners are stainless steel to resist corrosion.

**TOPS**

Table top use 3/4 #9 expanded metal and 12 gage perforated sheet metal for the main panel. The game insert is 14 gage galvaneal. The outside rails on the square top are 14 gage strip steel. Top has mounting brackets made of 1/4" flat bar. The support braces and outside border on round top are made of 1/8" strip steel.

**SEATS**

The 3' seats use 3/4 #9 expanded metal and 12 gage perforated sheet metal. The outside rails on the 3' seats use 14 gage strip steel. The mounting brackets are 1/4" flat bar for both seats. The concave seats are bordered with 1/8" thick strip steel.

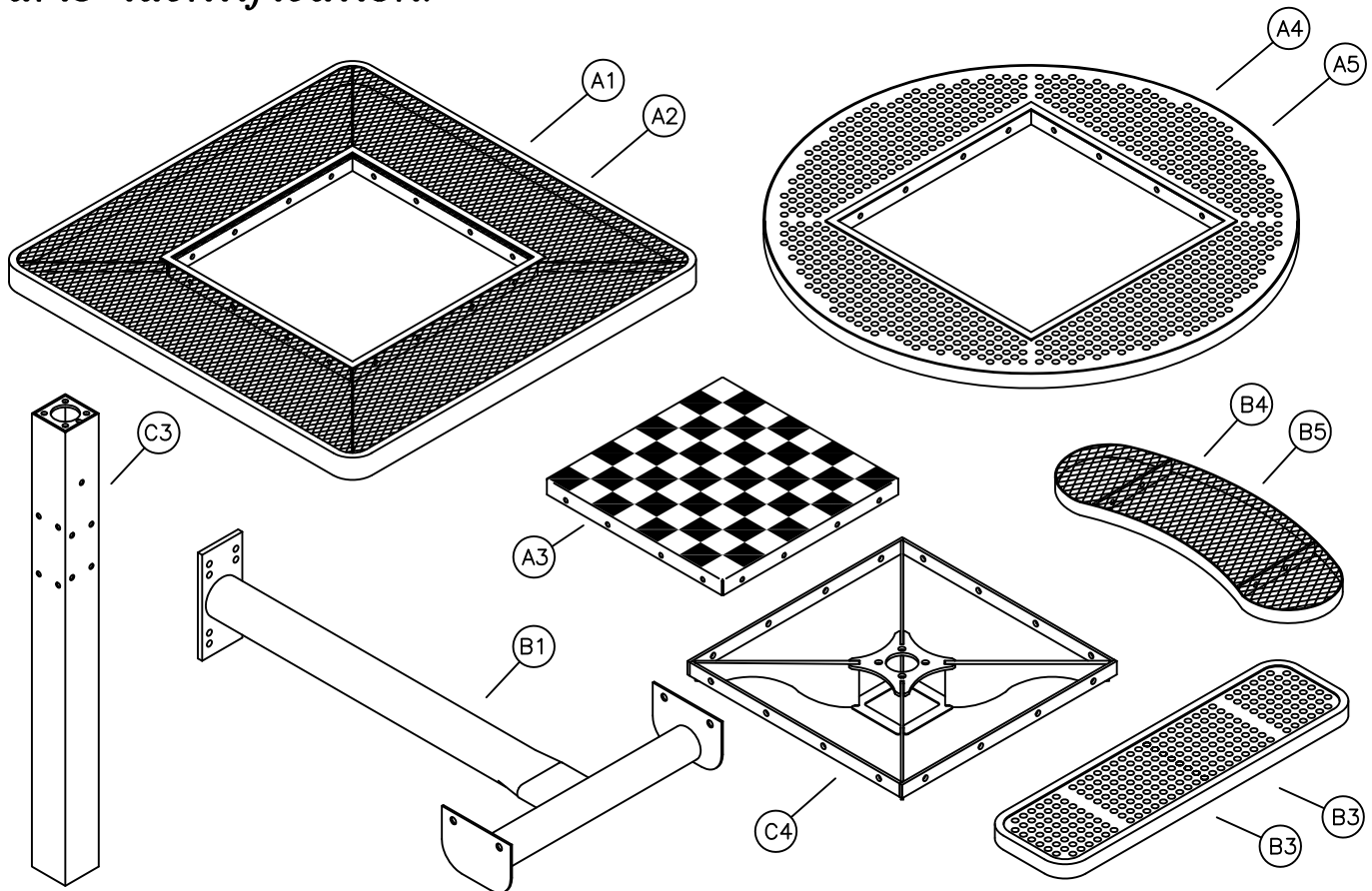
**TABLE FRAME**

Portable Signature table frames are constructed of 1 5/8" od x 14 gage structural steel tube. Mounting brackets, on legs, are 1/4" x 1 1/2" flat bar. Cross brace is 1" od x 15 gage structural steel tube. Inground main support is constructed from 4" x 4" x 11 gage structural steel tubing. Square mounting frame, for top, consists of 1/4" x 1 1/4" flat bar steel, 1/4" plate steel and 14 gage sheet steel. Seat assembly arm is constructed with 2 7/8" od x 9 gage structural steel tubing. Cross tubing is 2 3/8" od x 12 gage structural steel tubing. Mounting bracket, to the post, is 3/8" thick x 3 1/2" x 8" steel plate. Mounting plate covers are cast aluminum.

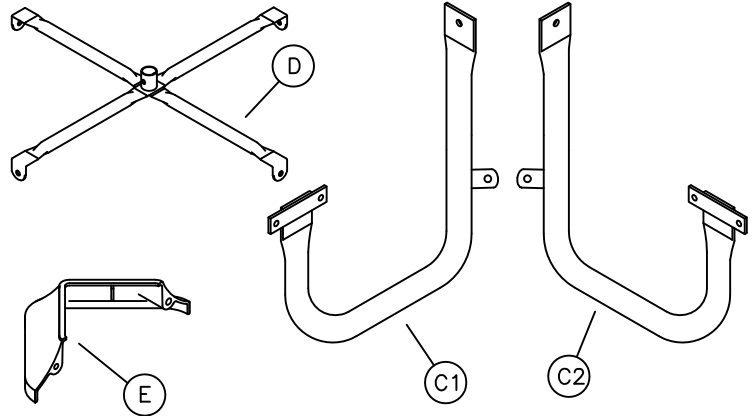
**GENERAL**

Portable table ground space requirements are 74 3/8" square. Inground ground space requirements are 77 3/4" square. It is 19 5/8" to the top of the portable table seats and 19 3/8" to the top of the inground table seats. It is 29 1/4" to the top of the portable table top and 30" to the top of the inground table top.

# parts identification:

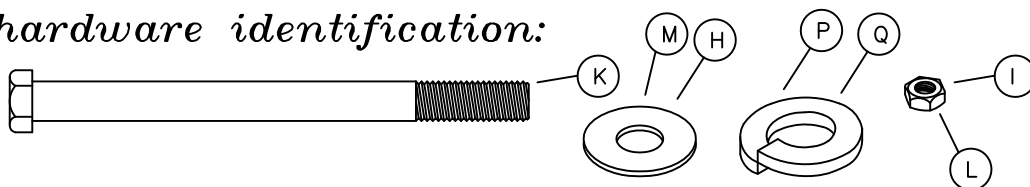


ITEM	PART#	DESCRIPTION	QTY
A1	7835	46" SQ. EXPANDED METAL TOP	1
A2	7973	46" SQ. PERFORATED TOP	1
A3	7276	GAME INSERT	1
A4	7824	46" RND. EXPANDED METAL TOP	1
A5	7977	46" RND. PERFORATED TOP	1
B1	7318A	SEAT ASSEMBLY ARM	4
B2	7530R	3' EXPANDED METAL SEAT	4
B3	7998	3' PERFORATED SEAT	4
B4	7666	3' EXPANDED METAL CONCAVE SEAT	4
B5	8000	3' PERFORATED CONCAVE SEAT	4
C1	7326	46" RIGHT PORTABLE LEG	4
C2	7327	46" LEFT PORTABLE LEG	4
C3	7306	INGROUND POST	1
C4	7464	INGROUND MOUNTING FRAME	1
D	7381	46" PORTABLE LEG CROSS BRACE	1
E	7151	MOUNTING PLATE COVERS (OPTIONAL)	2



ITEMS NOT TO SCALE

# hardware identification:

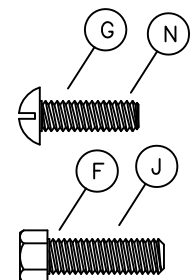


## ASSEMBLY TOOLS REQUIRED

- 1 - REGULAR TIP SCREWDRIVER
- 2 - 1/2" WRENCHES
- 1 - 3' OR 6' LEVEL
- 1 - 9/16" WRENCH
- 1 - TAPE MEASURE
- 1 - 5/8" WRENCH
- 1 - 11/16" WRENCH

## ITEMS INCLUDED IN HARDWARE PACKAGE #:

ITEM	PART#	DESCRIPTION	21022 QTY	21012 QTY	21041 QTY	21004 QTY	21101 QTY
F	17011	5/16-18 x 1 1/2" HEX HEAD BOLT - SS	24	8	8	0	0
G	17088	5/16-18 x 1" TRUSS HEAD MACHINE SCREW - SS	4	0	0	0	0
H	17028	3/8" ID x 7/8" OD WASHER - SS	56	16	20	0	0
I	17032	5/16-18 HEX FINISH NUT - SS	28	8	8	0	0
J	17013	3/8-16 x 1 1/4" HEX BOLT - SS	0	0	4	0	0
K	17051	7/16-14 x 5 1/2" HEX BOLT - SS	0	0	0	8	0
L	17044	7/16-14 HEX NUT - SS	0	0	0	8	0
M	17043	7/16" FLAT WASHER - SS	0	0	0	16	0
N	17052	1/4-20 x 1" MACHINE SCREW - SS	0	0	0	0	2
P	17050	5/16" SPLIT LOCK WASHER - SS	28	8	8	0	0
Q	17105	7/16" SPLIT LOCK WASHER - SS	0	0	0	8	0



**assembly procedures:** IMPORTANT: Assemblers should be reasonably skilled in the assembly of commercial grade/heavy duty fabricated steel equipment.

To ensure proper assembly, it is suggested that you take adequate time to locate and identify each part. To prevent scratching of the finished pieces, we recommend this unit to be assembled on a clean, flat, solid, surface with a drop cloth, allowing plenty of working room. Also please read the instructions and study the sketches very carefully. A little extra time spent before assembly will be well worth it in performing a complete, proper assembly. Please note that all parts have been pre-cut and pre-drilled.

During the assembly process leave all bolts and nuts "finger tight", until the entire unit is completely assembled. This allows room for movement to level or adjust all seats, tops, benches, framework and braces if necessary. After final adjustment and leveling, permanently tighten all nuts, bolts and fasteners.

7L

PORTABLE

STEP 1

Invert the (A-) top so it's upside down on a flat surface. Lower game insert (A3) into top. Attach a (C1 and C2) left and right leg to an outside corner of the top's center square mounting frame, see FIG. 1. Secure the top end of each leg to the outside of the top's center square mounting frame, using one per each leg, (F) and (I), using two (H) and one (P) per (F).

The cross brace tab on each leg, should meet each other at every corner when assembling the legs. Temporarily insert one (G), (I), (P) and two (H) loosely into the cross brace tab hole of each leg. This allows the legs to secure and hold each other in place at each corner.

Repeat Step 1, until each leg is properly attached at all four corners of the square top.

STEP 2

Attach all four ends of the (D) cross brace, where four corners of the cross brace tabs of each leg meet, using the bolts temporarily secured to hold each leg together, see FIG. 2.

Before attaching the cross brace, make sure the round cylinder at the center of the cross brace is pointing down toward the bottom side of the top.

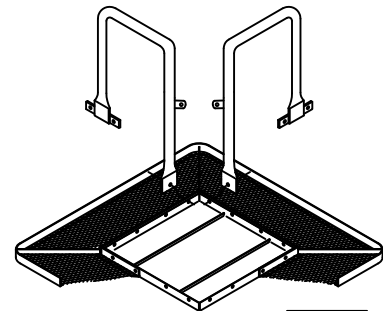


FIG. 1

STEP 3

Check all fasteners making sure each fastener is finger tight and properly supporting the unit. Re-invert the table to its top side up position.

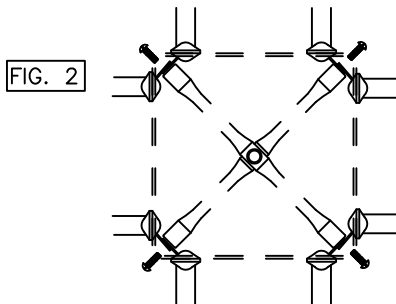
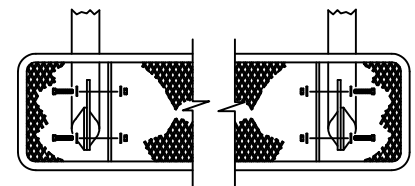


FIG. 2

FIG. 3



STEP 4

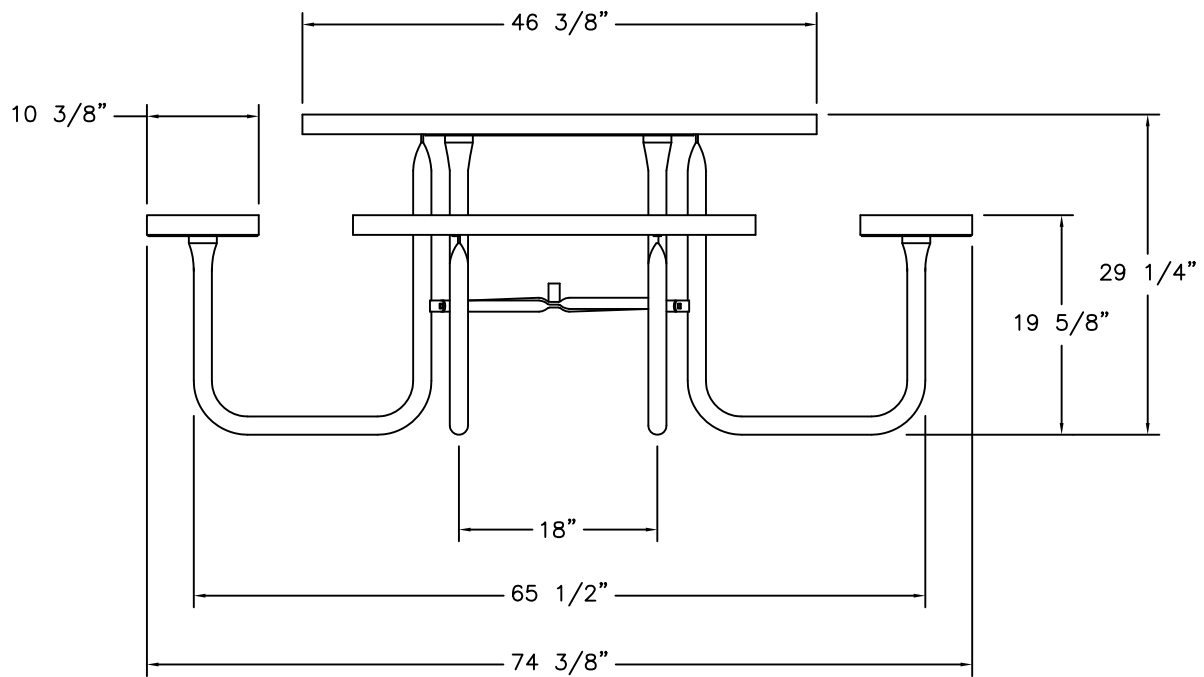
Attach each (B-) seat to the seat end of each leg, making sure the seat's mounting brackets fit to the outside of the leg's end seat mounting brackets, see FIG. 3. Secure the seats using two, per each mounting bracket, (F) and (I), using two (H) and one (P) per (F).

STEP 5

Level seats & top if necessary. Tighten all fasteners with wrenches.

**installation:** WARNING: The proper installation for Wabash Valley products may depend upon many factors unique to the site, location, or use of a particular product. Consult with your contractor or other professional to determine your specific installation requirements.

*product dimensions:*



46" PORTABLE GAME TABLE

# assembly procedures, cont'd:

## INGROUND

**STEP 1**  
Slide (C4) onto end of (C3) matching the square opening with the square post until it rests on the top of the post. Secure (C4) to (C3) engaging four (J) and four (H) each into welded nuts inside post, see FIG. 4. Draw the bolts to a snug fit with wrench.

**STEP 2**  
Invert the (A-) top so it's upside down on a flat surface. Slip the game insert (A3) into the top. Attach the post assembly to the inside of the game insert, see FIG. 5. Use eight (F) and (I) using two (H) and one (P) per (F). Draw the fasteners to a snug fit with wrenches.

**STEP 3**  
Prepare one foundation hole. Refer to product dimensions on following page.

**STEP 4**  
Re-invert the table to its top side up position and place it in the footing hole. Block the table as shown in FIG. 6.

Before pouring concrete, make sure the table is level horizontally as well as vertically, and holds 30" to the top of the table. Pour concrete to form the footing and let cure for 48 hours.

If mounting plate covers (E) are used, place halves around leg and secure with two (N) screws, see FIG. 9. Draw to a snug fit being careful not to over tighten.

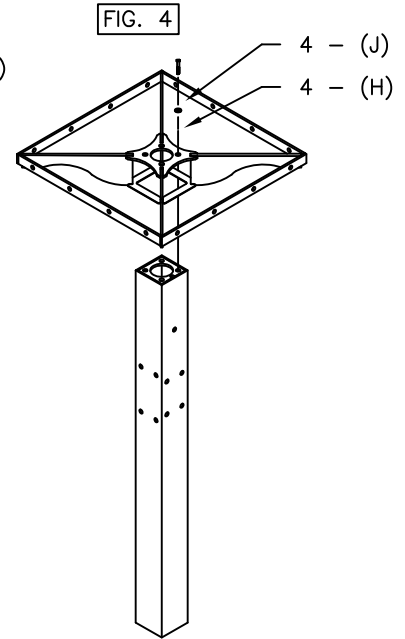


FIG. 5

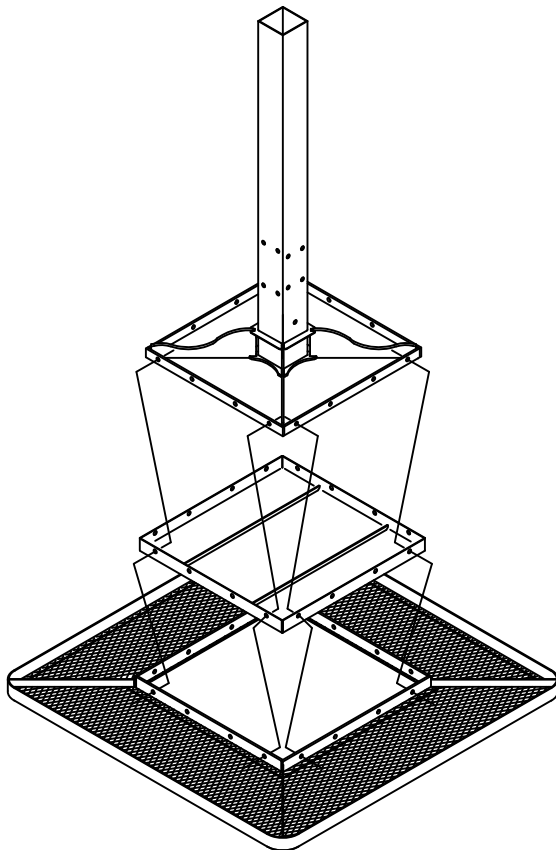


FIG. 9

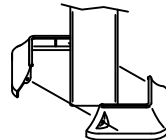
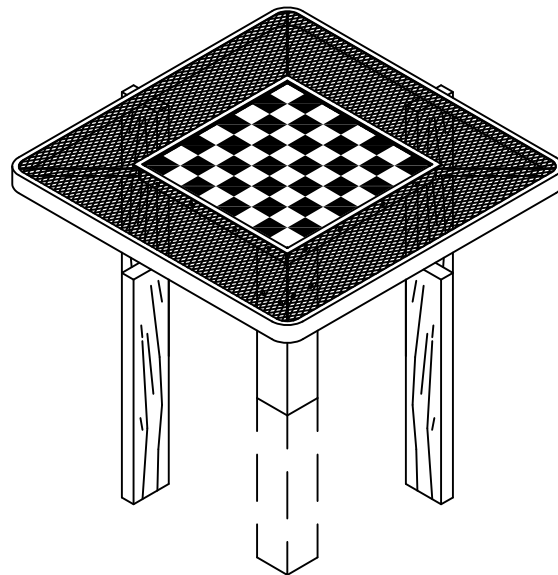


FIG. 6



## assembly procedures, cont'd:

### STEP 5

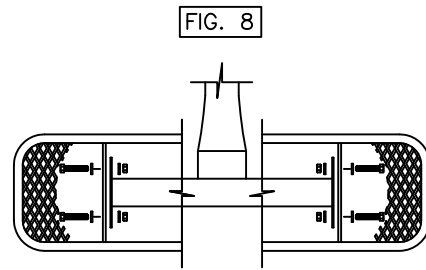
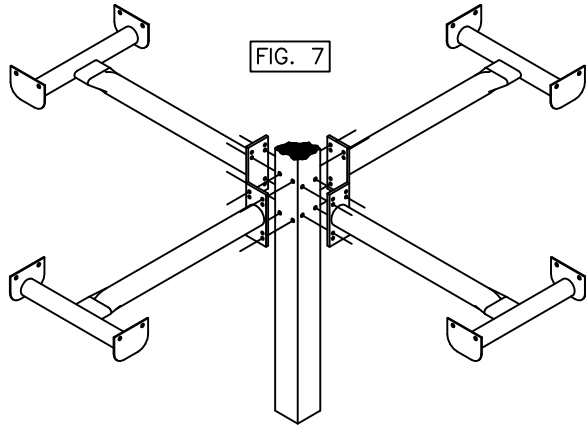
Assemble seat arms (B1) to post using (K) and (L), using two (M) and one (Q) per (K). Level the arms, then tighten fasteners with wrenches.

### STEP 6

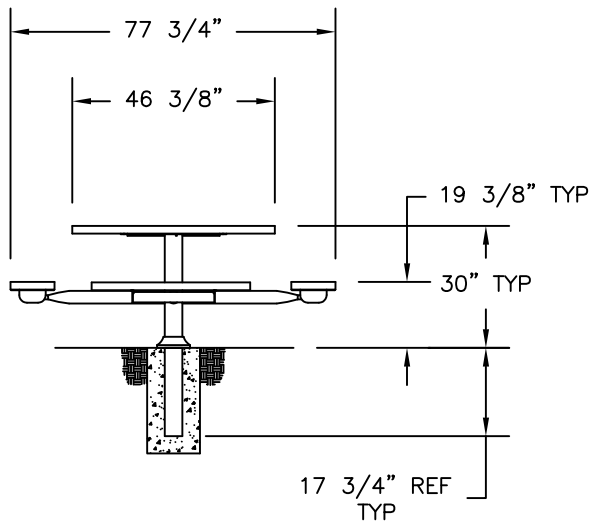
Attach seats (B2) to the end of each seat assembly arm, aligning the seat's brackets to the outside of the seat assembly arm's brackets, as shown in FIG. 8. Use four, per each seat, (F) and (I) using two (H) and one (Q) per (F).

### STEP 7

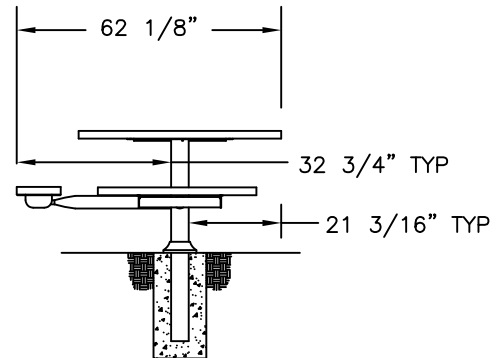
Level seats and top if necessary and tighten all fasteners with wrenches.



## product dimensions:



4 SEAT



3 SEAT

46" INGROUND GAME TABLE