

model no:

SG355D, SG355P, SG356D, SG356P,
SG360D, SG360P, SG361P, SG361D,

SIGNATURE SERIES

6' & 8' SINGLE BENCH - EXPANDED METAL &
PERFORATED - INGROUND & SURFACE MOUNT

customer service:

ASSEMBLERS: If you find any parts missing or damaged, or if you're having difficulty assembling your furniture/equipment, call us at:

* Before calling, have your product model number available.

1-800-253-8619 (Inside U.S.A.)

260-352-2102 (Outside U.S.A.)

Monday thru Friday,

8:00 AM - 4:30 PM Eastern Time

(EXCEPT HOLIDAYS)

maintenance:

Regular inspection and maintenance of all parts, and fasteners is necessary. Tighten all bolts and nuts. Inspect Tops, Seats, Legs, Braces and Fasteners periodically for wear or vandalism. Replace broken or worn parts immediately or take equipment out of service until repairs are made. Use genuine Wabash Valley replacement parts.

To restore plastisol coating to its luster after prolonged use, wash/rinse/dry and use Armor-All ® or similar quality vinyl protectant.

KEEP THIS ASSEMBLY/SPECIFICATION SHEET FOR FUTURE REFERENCE.

specifications:

NOTE: We reserve the right to change specifications without notice.

Heat fused poly-vinyl coating, finished on inner-metal structure, to an approximate 3/16" thickness.

Framework assemblies are finished with powder coating; electrostatically applied and oven cured according to powder manufacturer's specifications. Fasteners are stainless steel to resist corrosion.

BENCH FRAME:

Main supports are constructed from 4" x 4" x 11 gage galvanized structural steel square tubing. Seat arms are constructed of 2 3/8" od x 12 gage galvanized structural steel tubing. Mounting brackets on the seat's arm are 1/4" x 1 1/2" steel flat bar. Mounting brackets on the square tubing, for the bench's back and gusset adding support under the seat's arms, are 10 gage sheet metal.

SEATS:

Seat and back use fabricated 3/4" #9 expanded steel mesh and 12 gage sheet metal for perforated. Framing consists of die formed 14 gage mitered angles 3/4" x 1 3/4". The seat's mounting brackets are 1/4" x 1 1/2" steel flat bar.

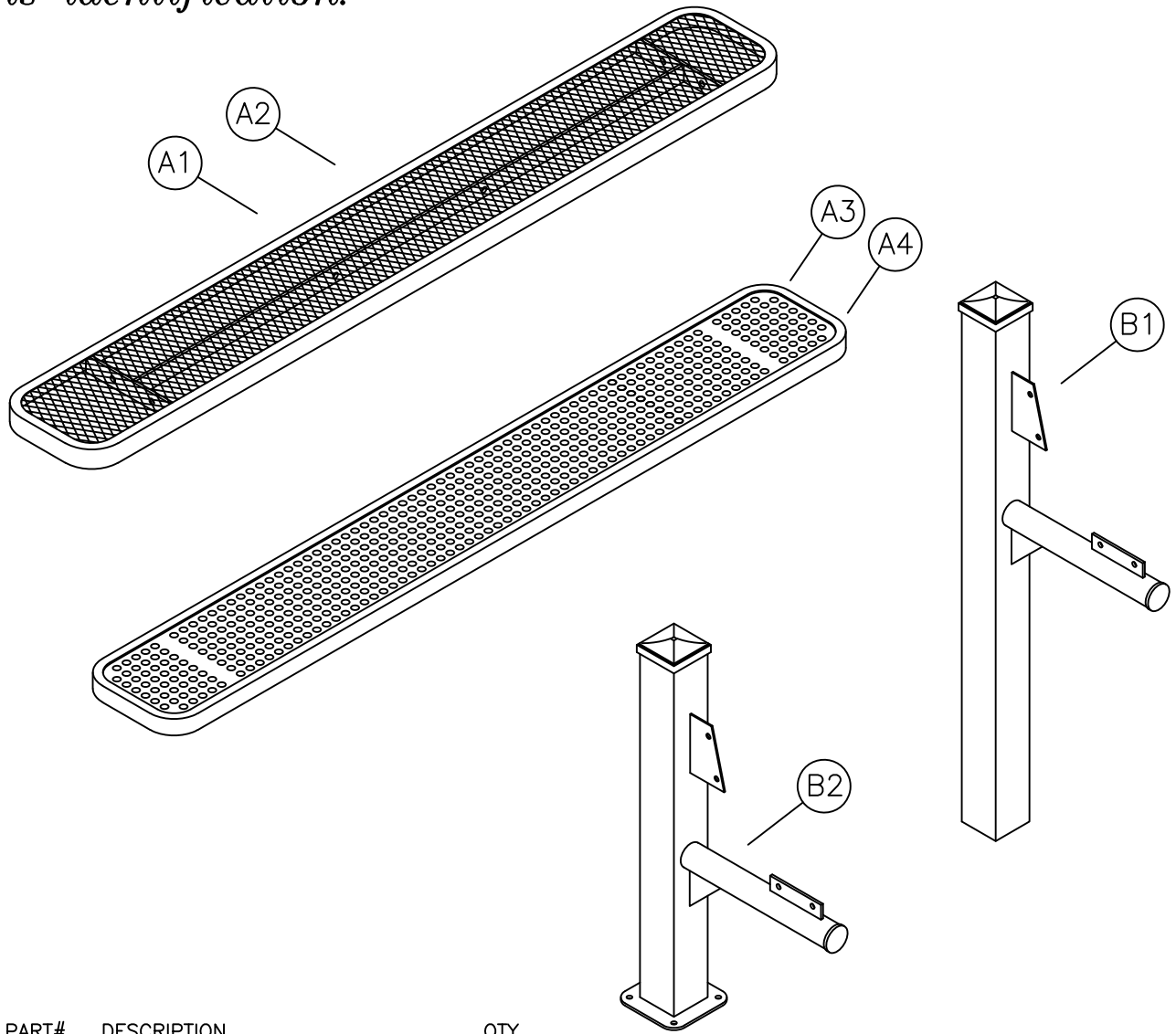
GENERAL:

6' single bench ground space requirements are 21 3/4" x 72 3/8".

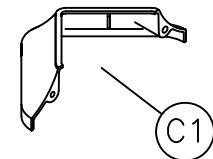
8' single bench ground space requirements are 21 3/4" x 96 3/8".

All seats are 10 3/8" wide and 19" to the top of the bench's seat. Corner radius is 3" to the outside.

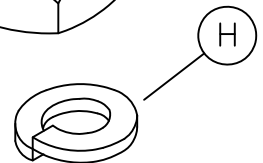
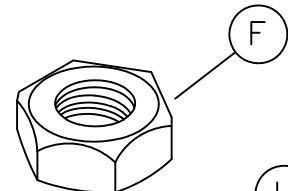
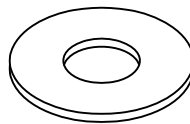
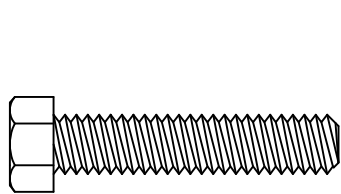
parts identification:



ITEM	PART#	DESCRIPTION	QTY
A1	7529R	6' EXPANDED METAL SEAT/BACK	2
A2	7527R	8' EXPANDED METAL SEAT/BACK	2
A3	7994	6' PERFORATED SEAT/BACK	2
A4	7992	8' PERFORATED SEAT/BACK	2
B1	7355	4 X 4 SINGLE INGROUND POST	2
B2	7356	4 X 4 SINGLE SURFACE POST	2
C1	7151	MOUNTING PLATE COVER (OPTIONAL)	2
C2	21012	HARDWARE PACKAGE	1 OR 2



hardware identification:



ITEMS INCLUDED IN HARDWARE PACKAGE:

#21012 #21101

ITEM	PART#	DESCRIPTION	QTY	QTY
D	17011	5/16-18 x 1 1/2" HEX HEAD BOLT - SS	8	0
E	17028	3/8" FLAT WASHER - SS	16	0
F	17032	5/16-18 HEX FINISH NUT - SS	8	0
G	17052	1/4-20 x 1" MACHINE SCREW - SS	0	2
H	17050	5/16" SPLIT LOCK WASHER - SS	8	0

ASSEMBLY TOOLS REQUIRED

- 1 - FLAT SCREW DRIVER
- 2 - 1/2" WRENCHES
- 1 - 3' OR 6' LEVEL

assembly procedures:

IMPORTANT: Assemblers should be reasonably skilled in the assembly of commercial grade/heavy duty fabricated steel equipment.

To ensure proper assembly, it is suggested that you take adequate time to locate and identify each part. To prevent scratching of the finished pieces, we recommend this unit to be assembled on a clean, flat, solid, surface with a drop cloth, allowing plenty of working room. Also please read the instructions and study the sketches very carefully. A little extra time spent before assembly will be well worth it in performing a complete, proper assembly. Please note that all parts have been pre-cut and pre-drilled.

During the assembly process leave all bolts and nuts "finger tight", until the entire unit is completely assembled. This allows room for movement to level or adjust all seats, tops, benches, framework and braces if necessary. After final adjustment and leveling, permanently tighten all nuts, bolts and fasteners.

7L

For Inground unit:

STEP 1

Take both 4 x 4 inground posts (B1) and hold them up vertically. Attach one or two (A-) seat to the 4 x 4 post's seat arms, see FIG. 1. Align the seat's mounting brackets to the inner most part of the mounting brackets on the post's seat arms, see FIG. 2. Use two, per each mounting bracket, (D) and (F) using tow (E) and one (H) per (D). Draw the fasteners to a snug fit with wrenches.

STEP 2

Prepare two foundation holes as shown on page 3. The distance of holes, center to center, are shown also on page 4 of this instruction sheet.

STEP 3

Place the unit in the footing holes and block the unit as shown in FIG. 3. Before pouring concrete, make sure the unit holds 19" to the top of the bench and is level horizontally as well as vertically. Pour concrete and let cure for 48 hours.

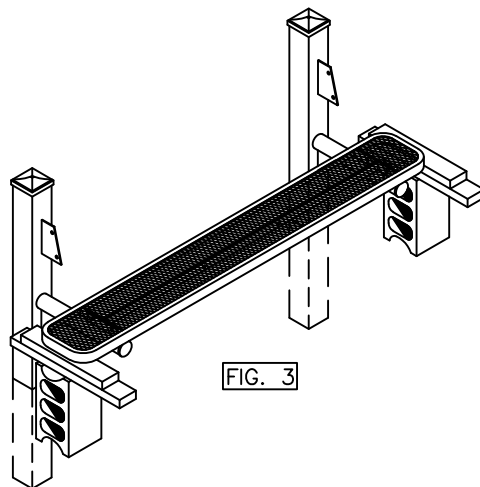
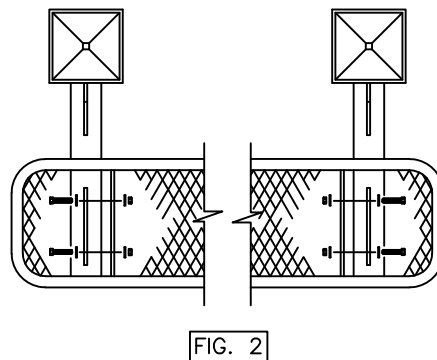
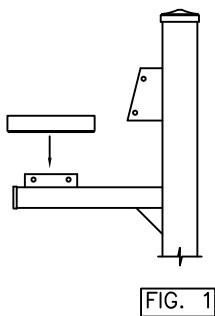
STEP 4

Attach the (A-) back(s) to the mounting brackets on the 4 x 4 posts. Align the back's mounting brackets to the post's mounting brackets, using the same procedure in Step 1. Use two, per each mounting bracket, (D) and (F) using two (E) and one (H) per (D).

STEP 5

Level the seats if necessary and tighten all fasteners with wrenches.

If mounting plate covers (C1) are used, place halves around legs and secure with 2 (G) screws, see FIG. 6. Draw to a snug fit being careful not to over tighten.

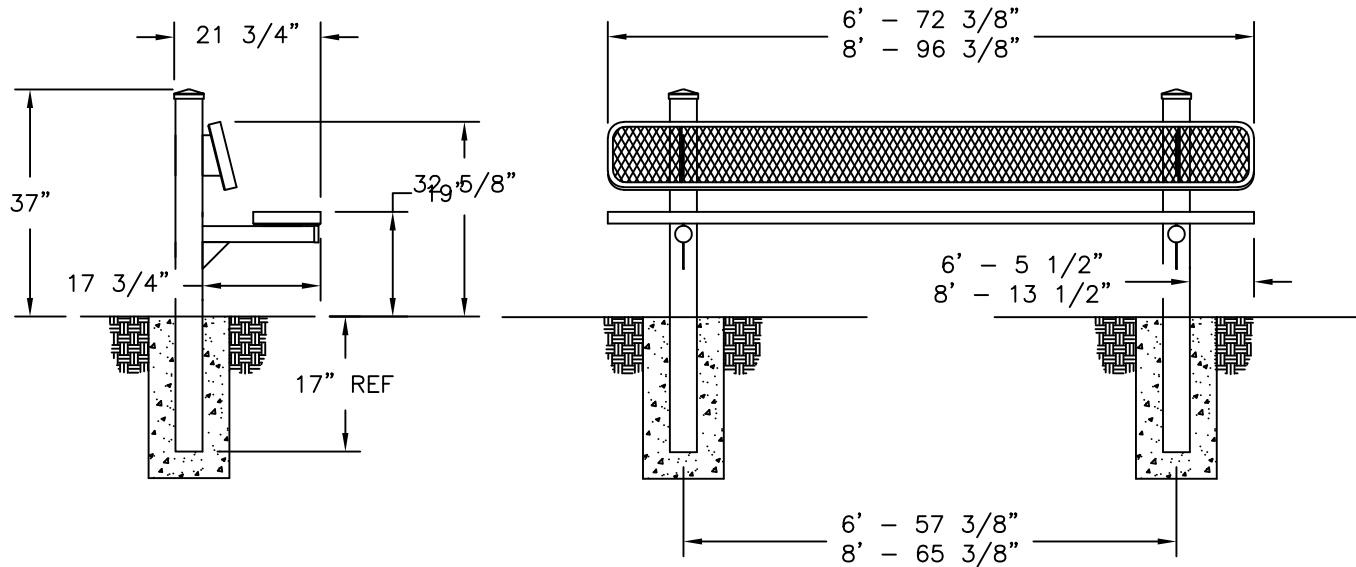


installation:

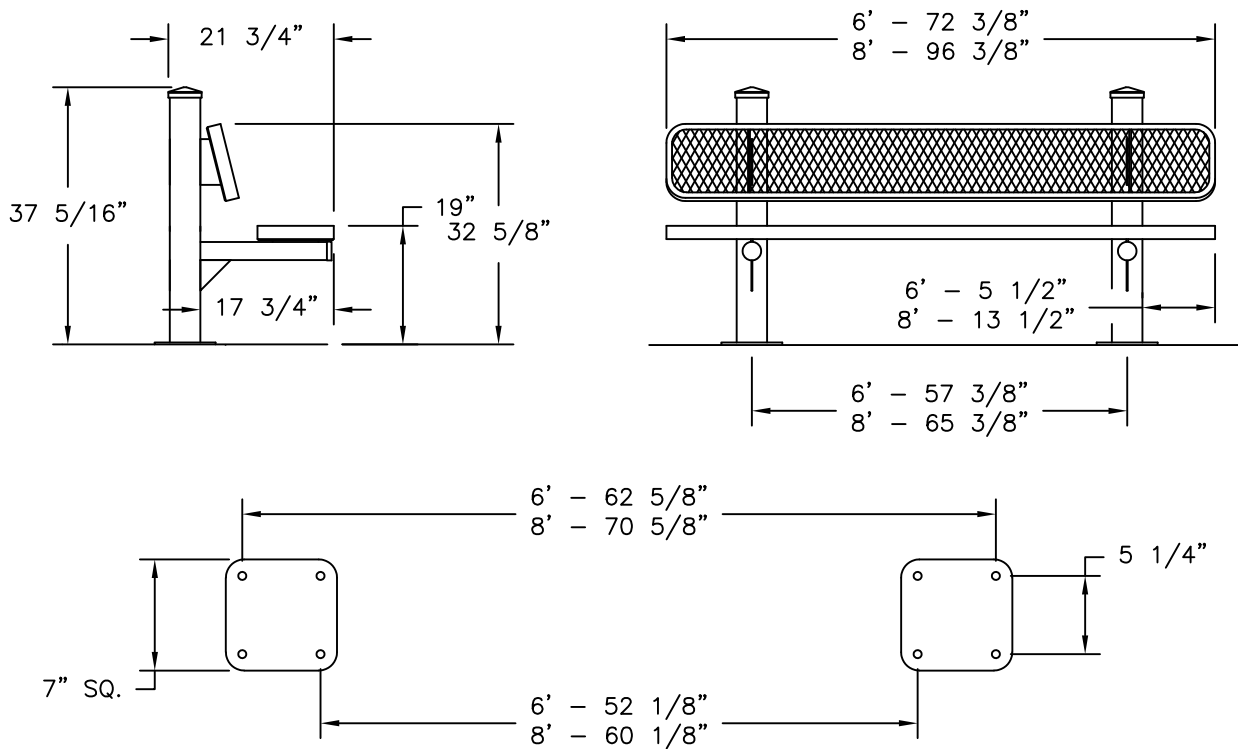
WARNING: The proper installation for Wabash Valley products may depend upon many factors unique to the site, location, or use of a particular product. Consult with your contractor or other professional to determine your specific installation requirements.

product dimensions:

INGROUND
SINGLE BENCH



SURFACE MOUNT
SINGLE BENCH



assembly instructions con't:

For Surface Mount unit:

STEP 1
Take both 4 x 4 surface mount posts (B2) and allow them to free stand vertically. Attach one or two (A-) seat(s) to each side of the post's seat arms, see FIG. 4. Align the seat's mounting brackets to the inner most part of the mounting brackets on the post's seat arms, see FIG. 5. Use two, per each mounting bracket, (D) and (F) using two (E) and one (H) per (D).

STEP 2
Prepare and place the foundations securement hardware in its chosen location. The diagram of page 3 gives a detailed description of where the hole location should be placed. When the foundations securement hardware has been installed, place the unit in its new location and secure to the foundation.

STEP 3
Attach the (A-) back(s) to the mounting brackets on the 4 x 4 posts. Align the seat's mounting brackets to the post's mounting brackets, using the same procedure in Step 1. Use two, per each mounting bracket, (D) and (F) using two (E) and one (H) per (D).

STEP 4
Level seats if necessary and tighten all fasteners with wrenches.

If mounting plate covers (C1) are used, place halves around legs and secure with 2 (G) screws, see FIG. 6. Draw to a snug fit being careful not to over tighten.

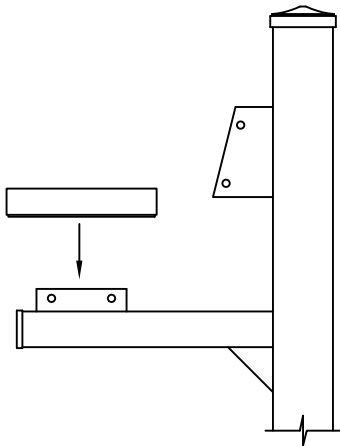


FIG. 4

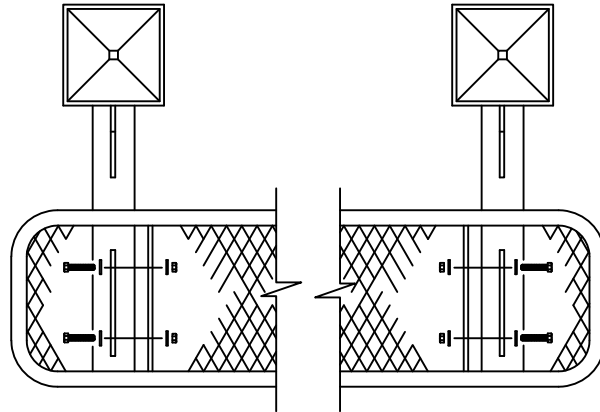


FIG. 5

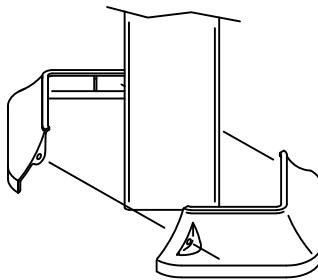


FIG. 6