

model no:

SG171D, SG171P,
SG172D, SG172P

SIGNATURE SERIES

46" CHILDREN'S TABLES & 46" ALPHABET
EXPANDED METAL & PERFORATED

customer service:

ASSEMBLERS: If you find any parts missing or damaged, or if you're having difficulty assembling your furniture/equipment, call us at:

* Before calling, have your product model number available.

1-800-253-8619 (Inside U.S.A.)

260-352-2102 (Outside U.S.A.)

Monday thru Friday,

8:00 AM - 4:30 PM Eastern Time

(EXCEPT HOLIDAYS)

maintenance:

Regular inspection and maintenance of all parts, and fasteners is necessary. Tighten all bolts and nuts. Inspect Tops, Seats, Legs, Braces and Fasteners periodically for wear or vandalism. Replace broken or worn parts immediately or take equipment out of service until repairs are made. Use genuine Wabash Valley replacement parts.

To restore plastisol coating to its luster after prolonged use, wash/rinse/dry and use Armor-All ® or similar quality vinyl protectant.

KEEP THIS ASSEMBLY/SPECIFICATION SHEET FOR FUTURE REFERENCE.

specifications:

NOTE: We reserve the right to change specifications without notice.

Heat fused poly-vinyl coating, finished on inner-metal structure, to an approximate 3/16" thickness.

Framework assemblies are finished with powder coating; electrostatically applied and oven cured according to powder manufacturer's specifications. Fasteners are stainless steel to resist corrosion.

TABLE FRAME:

Main supports are constructed of 1 5/8" od x 14 gage galvanized structural steel tubing. Cross brace is 1" od x 15 gage galvanized structural steel tubing. Mounting brackets on legs are 1/4" x 1 1/4" steel flat bar.

TOP & SEATS:

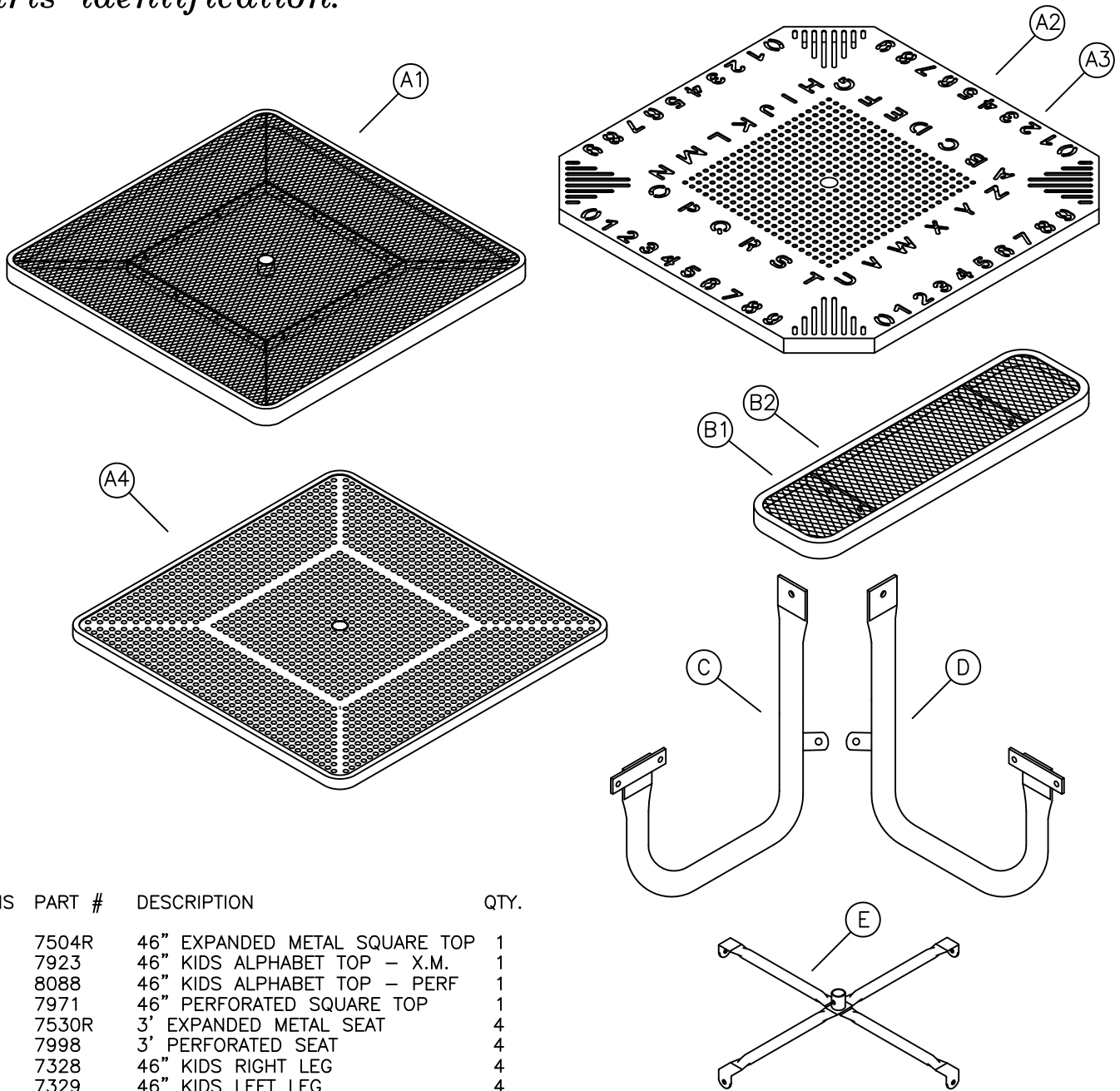
Top and seats use fabricated 3/4" #9 expanded steel mesh and 12 gage sheet metal for perforated. Framing consists of die formed 14 gage mitered angles 3/4" x 1 3/4". Top and seat mounting brackets are 1/4" x 1 1/2" steel flat bar. The top's corner supports are 1/8" x 1 1/2" strip steel. The alphabet top is constructed of 14 gage sheet steel and 3/4" #9 expanded steel mesh.

GENERAL:

46" square children's table and alphabet table ground space requirements are 69" squared. Table top is 46 1/4" square and 19 7/8" to the top of the table. Seats are 10 1/4" wide x 36 1/4" long and 11" to the top of the seat. Corner radius is 2 5/8" to the outside.

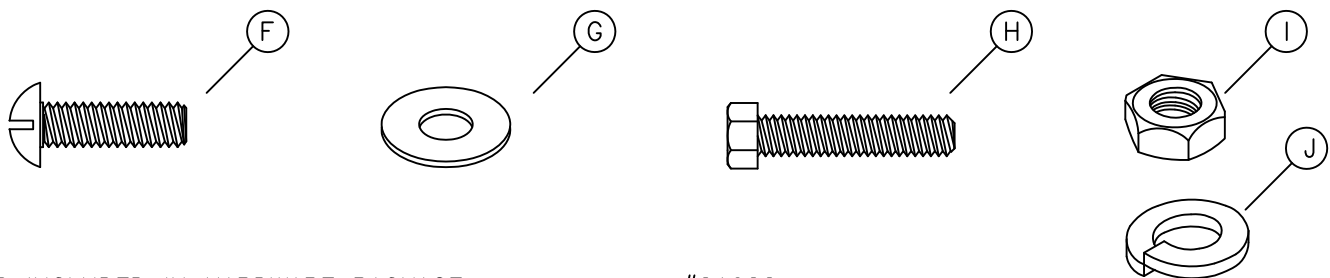
NOTE: When Umbrellas are used on Tables, the Umbrellas must be secured.
Wabash Valley Umbrellas include an Umbrella Collar for securing.

parts identification:



ITEMS	PART #	DESCRIPTION	QTY.
A1	7504R	46" EXPANDED METAL SQUARE TOP	1
A2	7923	46" KIDS ALPHABET TOP - X.M.	1
A3	8088	46" KIDS ALPHABET TOP - PERF	1
A4	7971	46" PERFORATED SQUARE TOP	1
B1	7530R	3' EXPANDED METAL SEAT	4
B2	7998	3' PERFORATED SEAT	4
C	7328	46" KIDS RIGHT LEG	4
D	7329	46" KIDS LEFT LEG	4
E	7381	46" CROSS BRACE	1

hardware identification:



ITEMS INCLUDED IN HARDWARE PACKAGE			#21022
			QTY
F	17088	5/16" x 1" TRUSS HEAD MACHINE SCREW - SS	4
G	17028	3/8" FLAT WASHER - SS	56
H	17011	5/16" x 1 1/2" HEX HEAD BOLT - SS	24
I	17032	5/16" HEX FINISH NUT - SS	28
J	17050	5/16" SPLIT LOCK WASHER - SS	28

TOOLS REQUIRED FOR ASSEMBLY
 2 - 1/2" WRENCHES
 1 - REGULAR TIP SCREWDRIVER
 1 - 3' OR 6' LEVEL

assembly procedures: IMPORTANT: Assemblers should be reasonably skilled in the assembly of commercial grade/heavy duty fabricated steel equipment.

To ensure proper assembly, it is suggested that you take adequate time to locate and identify each part. To prevent scratching of the finished pieces, we recommend this unit to be assembled on a clean, flat, solid, surface with a drop cloth, allowing plenty of working room. Also please read the instructions and study the sketches very carefully. A little extra time spent before assembly will be well worth it in performing a complete, proper assembly. Please note that all parts have been pre-cut and pre-drilled.

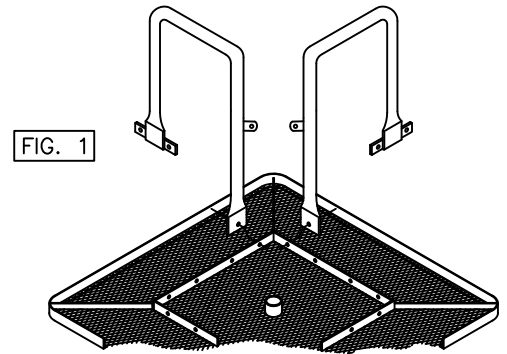
During the assembly process leave all bolts and nuts "finger tight", until the entire unit is completely assembled. This allows room for movement to level or adjust all seats, tops, benches, framework and braces if necessary. After final adjustment and leveling, permanently tighten all nuts, bolts and fasteners.

7L

STEP 1

Invert the (A-) top so it's upside down on a flat surface. Attach a (C) and (D) left and right leg to an outside corner of the top's center square mounting frame, see FIG. 1. Secure the top end of each leg to the outside of the top's center square mounting frame, using one, per each leg, (H) and (I) using two (G) and one (J) per (H).

NOTE: The cross brace tab of each leg, should meet each other at every corner when assembling the legs. Temporarily insert one (F) and (I) using two (G) and one (J) loosely into the cross brace tab hole of each leg. This allows the legs to secure and hold each other in place at each corner.

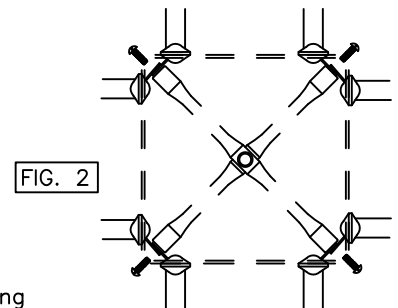


Repeat Step 1, until each leg is properly attached at all four corners of the square top.

STEP 2

Attach all four ends of the (E) cross brace, where all four corners of the cross brace tabs meet, using the bolts you temporarily secured to hold each leg together, see FIG. 2.

NOTE: Before attaching the cross brace, make sure the round cylinder at the center of the cross brace is pointing down toward the bottom side of the top.

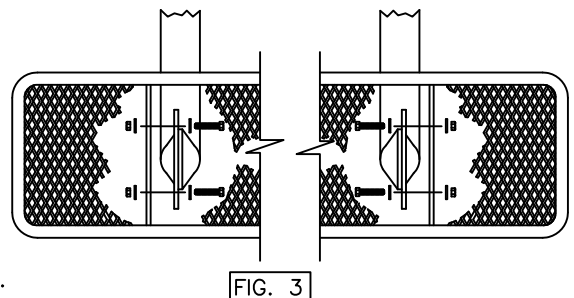


STEP 3

Check all fasteners making sure each fastener is finger tight and properly supporting the unit. Re-invert the table to its topside up position.

STEP 4

Attach each (B-) seat to the seat end of each leg, making sure the seat's mounting brackets fit to the outside of the leg's-mounting brackets, see FIG. 3. Secure the seat using two, per each mounting bracket, (H) and (I). Use two (G) and one (J) per (H).



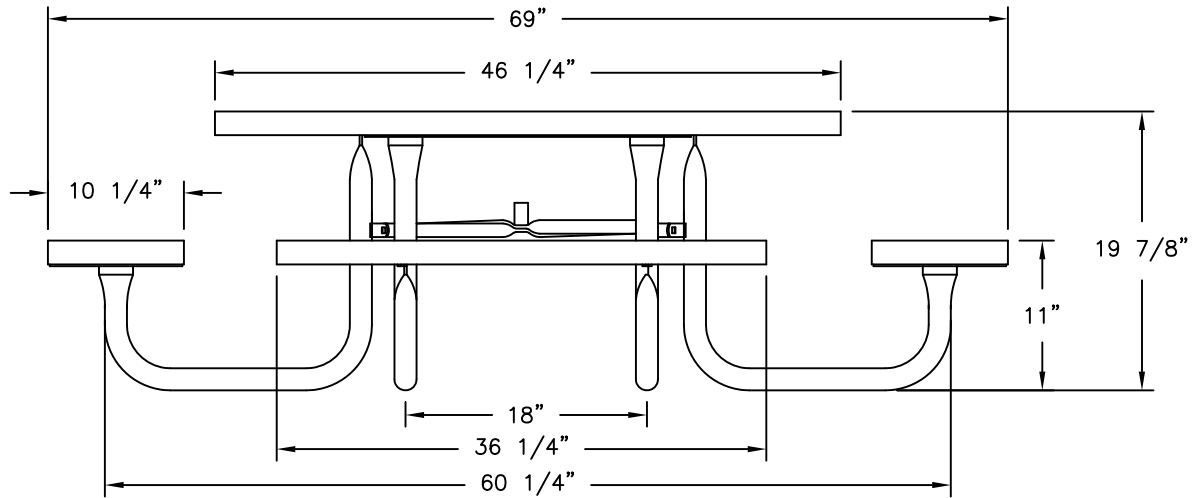
STEP 5

Level seats and top if necessary. Tighten all fasteners with wrenches.

installation: WARNING: The proper installation for Wabash Valley products may depend upon many factors unique to the site, location, or use of a particular product. Consult with your contractor or other professional to determine your specific installation requirements.

product dimensions:

SG171D/SG171P



SG172D/SG172P

