

model no:

SG2448-ADA

SIGNATURE SERIES

24" X 48" BENCH, WITHOUT BACK, EXPANDED METAL
SURFACE MOUNT

customer service:

ASSEMBLERS: If you find any parts missing or damaged, or if you're having difficulty assembling your furniture/equipment, call us at:

* Before calling, have your product model number available.

1-800-253-8619 (Inside U.S.A.)

260-352-2102 (Outside U.S.A.)

Monday thru Friday,
8:00 AM - 4:30 PM Eastern Time
(EXCEPT HOLIDAYS)

maintenance:

Regular inspection and maintenance of all parts, and fasteners is necessary. Tighten all bolts and nuts. Inspect Tops, Seats, Legs, Braces and Fasteners periodically for wear or vandalism. Replace broken or worn parts immediately or take equipment out of service until repairs are made. Use genuine Wabash Valley replacement parts.

To restore plastisol coating to its luster after prolonged use, wash/rinse/dry and use Armor-All ® or similiar quality vinyl protectant.

KEEP THIS ASSEMBLY/SPECIFICATION SHEET FOR FUTURE REFERENCE.

specifications:

NOTE: We reserve the right to change specifications without notice.

Heat fused poly-vinyl coating, finished on inner-metal structure, to an approximate 3/16" thickness. Framework assemblies are finished with powder coating; electrostatically applied and oven cured according to powder manufacturer's specifications. Fasteners are stainless steel to resist corrosion.

SEAT:

The seat uses 3/4" #9 expanded steel mesh. Framing consists of die formed 10 gage mitered angles 7/8" x 1 3/4". Center brace consists of 1/8" x 1 1/2" strip steel and mounting brackets are 1/4" x 1 1/2" flat bar steel.

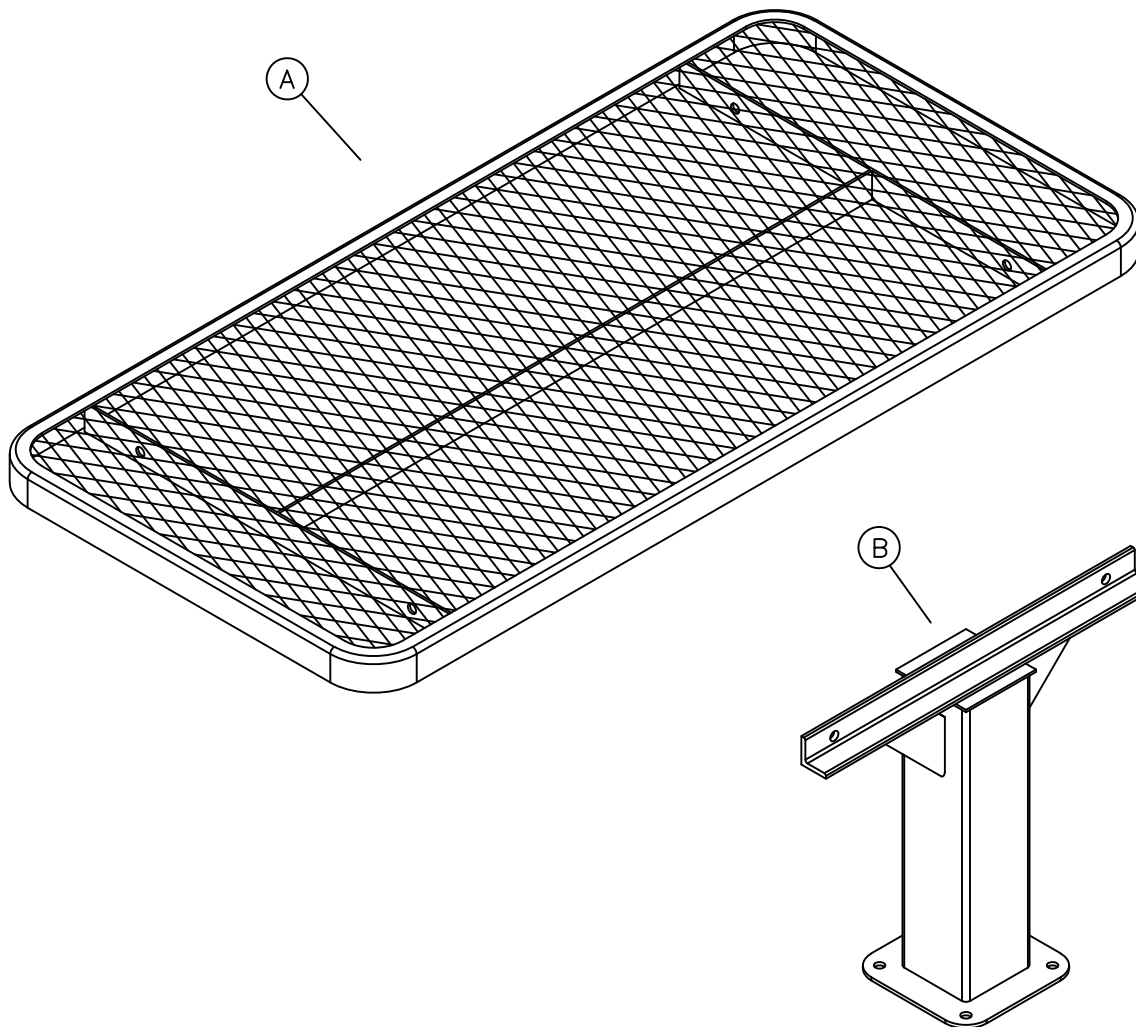
LEGS:

The legs are constructed of 11 gage x 4" square structural steel tubing. The mounting bracket is 7 gage plate steel. The support brackets consists of 10 gage sheet steel and the base plate is constructed of 7 gage plate steel. The cover plate under the mounting bracket consists of 10 gage sheet steel.

GENERAL

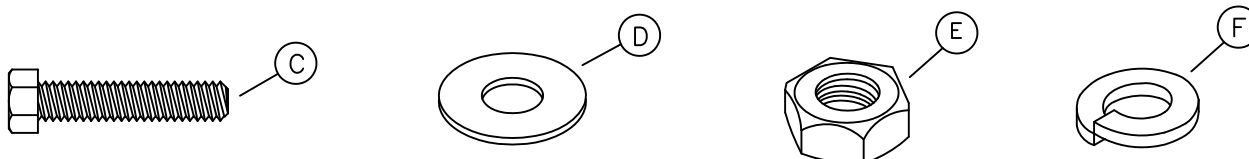
Ground space requirements are 24" x 48 1/4" and 18" to the top of the Seat.

parts identification:



ITEM	PACKAGE#	DESCRIPTION	QTY
A	15703	24" X 48" Signature ADA Bench - X.M.	1
B	10551	18" Ht. Surface Mount T Post	1

hardware identification:



ITEMS INCLUDED IN PACKAGE NUMBER: 21014

ITEM	PART#	DESCRIPTION	QTY
C	17011	5/16-18 x 1 1/2" HEX HEAD BOLT - SS	4
D	17028	3/8" FLAT WASHER - SS	8
E	17032	5/16-18 HEX FINISH NUT - SS	4
F	17050	5/16" SPLIT LOCK WASHER - SS	4

ASSEMBLY TOOLS REQUIRED
 1- FLAT SCREW DRIVER
 2 - 1/2" WRENCHES
 1 - 3' OR 6' LEVEL

assembly procedures:

IMPORTANT: Assemblers should be reasonably skilled in the assembly of commercial grade/heavy duty fabricated steel equipment.

To ensure proper assembly, it is suggested that you take adequate time to locate and identify each part. To prevent scratching of the finished pieces, we recommend this unit to be assembled on a clean, flat, solid, surface with a drop cloth, allowing plenty of working room. Also please read the instructions and study the sketches very carefully. A little extra time spent before assembly will be well worth it in performing a complete, proper assembly. Please note that all parts have been pre-cut and pre-drilled.

During the assembly process leave all bolts and nuts "finger tight", until the entire unit is completely assembled. This allows room for movement to level or adjust all seats, tops, benches, framework and braces if necessary. After final adjustment and leveling, permanently tighten all nuts, bolts and fasteners.

7L

SURFACE MOUNT WITH OUT BACK

STEP 1

Invert the (A) seat upside down on a flat surface. Attach both (B) legs to the outer most part of the seat's brackets, see FIG. 1. Use, per each leg, two (C) and (E) using two (D) and one (F) per (C).

STEP 2

Reinvert bench to its top side up position.

STEP 3

Prepare and place the foundations securement hardware in its chosen location. A detailed description of where the hole locations should be placed is shown on page 4.

When the foundations securement hardware has been installed, place the unit in its new location and secure to the foundation.

NOTE: Surface Mount Bolts are not included.

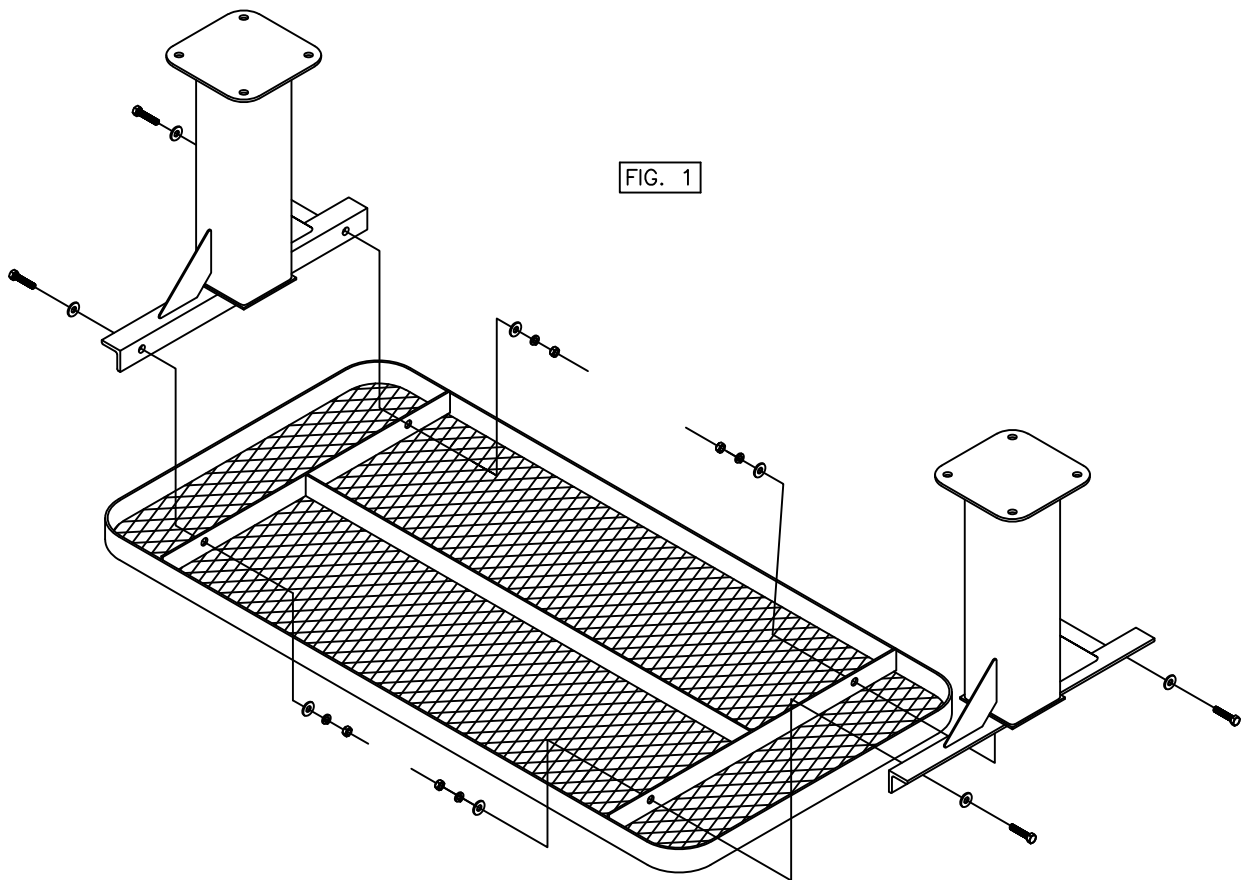


FIG. 1

installation:

WARNING: The proper installation for Wabash Valley products may depend upon many factors unique to the site, location, or use of a particular product. Consult with your contractor or other professional to determine your specific installation requirements.

product dimensions:

