

model no:

PP201D, PP201P,
PP206D, PP206P

PRESTIGE/PROFILE SERIES

46" OCTAGON TABLE, INGROUND SUPERIOR FRAME
3 & 4 SEAT EXPANDED METAL & PERFORATED

customer service:

ASSEMBLERS: If you find any parts missing or damaged, or if you're having difficulty assembling your furniture/equipment, call us at:

* Before calling, have your product model number available.

1-800-253-8619 (Inside U.S.A.)

260-352-2102 (Outside U.S.A.)

Monday thru Friday,

8:00 AM - 4:30 PM Eastern Time

(EXCEPT HOLIDAYS)

maintenance:

Regular inspection and maintenance of all parts, and fasteners is necessary. Tighten all bolts and nuts. Inspect Tops, Seats, Legs, Braces and Fasteners periodically for wear or vandalism. Replace broken or worn parts immediately or take equipment out of service until repairs are made. Use genuine Wabash Valley replacement parts.

To restore plastisol coating to its luster after prolonged use, wash/rinse/dry and use Armor-All ® or similar quality vinyl protectant.

KEEP THIS ASSEMBLY/SPECIFICATION SHEET FOR FUTURE REFERENCE.

specifications:

NOTE: We reserve the right to change specifications without notice.

Heat fused poly-vinyl coating, finished on inner-metal structure, to an approximate 3/16" thickness.

Framework assemblies are finished with powder coating; electrostatically applied and oven cured according to powder manufacturer's specifications. Fasteners are stainless steel to resist corrosion.

FRAME:

Main supports for the inground are constructed of 4" x 4" x 11 gage galvanized structural steel tubing. Seat arm assembly is constructed with 2 7/8" od x 9 gage galvanized structural steel tubing. Seat mounting ears, on the cross tubing, are 10 gage sheet steel. Mounting bracket, to the post, is 3/8" x 3 1/2" x 8" plate steel. Square mounting frame is 1/4" x 1 1/4" steel flat bar, 1/4" plate steel, and 14 gage steel. Bolt covers and mounting plate covers are cast from #2 aluminum.

TOP AND SEAT:

Tops and seats use fabricated 3/4" x #9 expanded metal and 12 gage sheet metal for the perforated. The top mounting brackets are 1/4" x 1 1/2" flat bar. The seat's mounting brackets are 10 gage sheet steel. The top's four corner plates are 10 gage sheet steel. The end of the rolled sides, of the seats on the expanded metal use a 1/2" diameter steel rod, to add support.

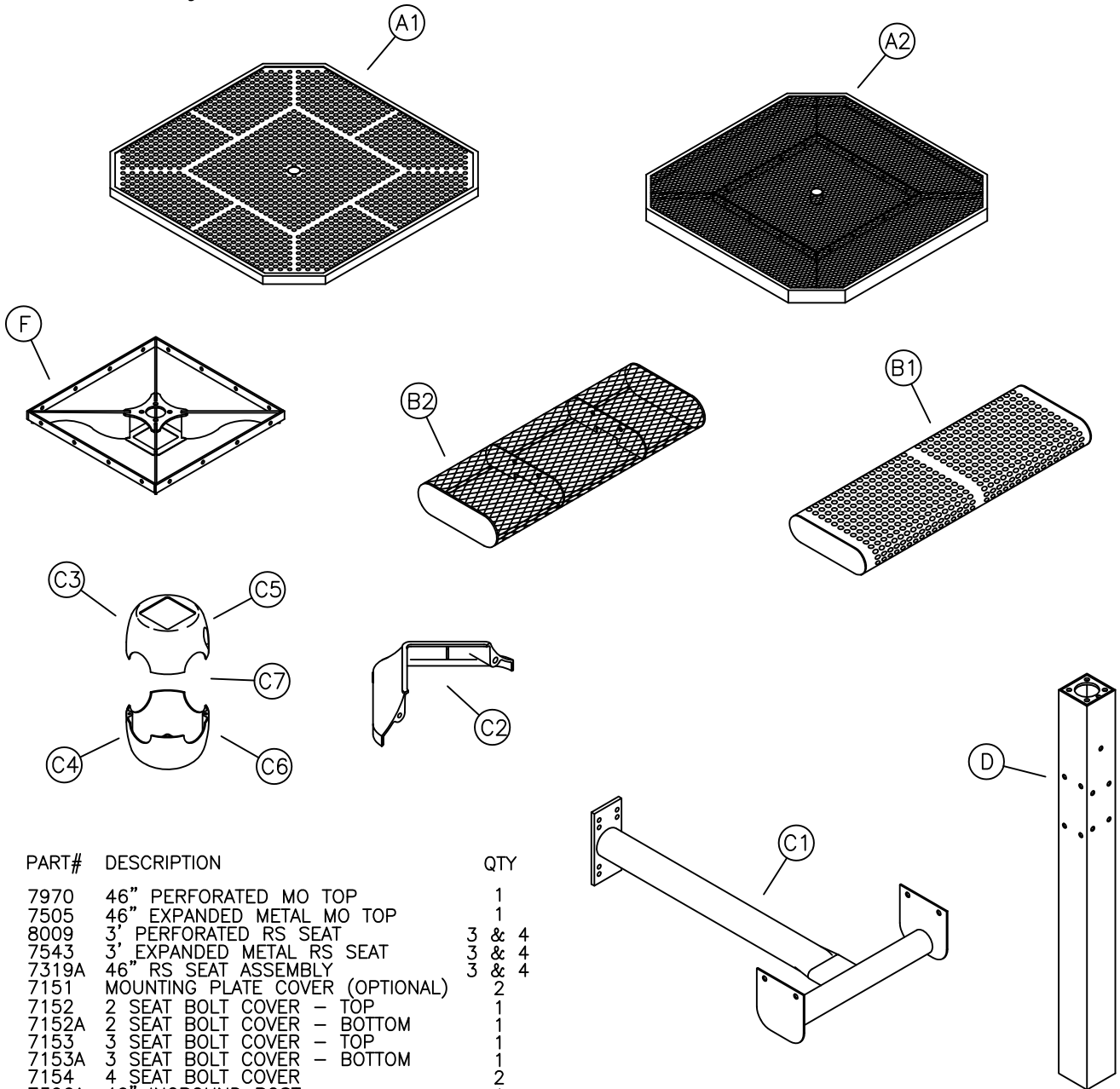
GENERAL:

Ground space requirements for the four seat tables are 76 5/8" square. It is 30" to the top of the table and 18 7/8" to the top of the seats.

Ground space requirements for the three seat tables are 76 5/8" x 62 3/4" square. It is 30" to the top of the table and 18 7/8" to the top of the seats.

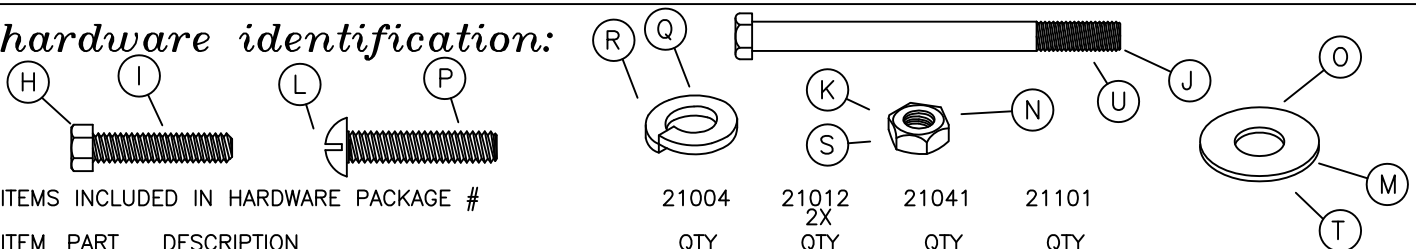
NOTE: When Umbrellas are used on Tables, the Umbrellas must be secured.
Wabash Valley Umbrellas include an Umbrella Collar for securing.

parts identification:



ITEM	PART#	DESCRIPTION	QTY
A1	7970	46" PERFORATED MO TOP	1
A2	7505	46" EXPANDED METAL MO TOP	1
B1	8009	3' PERFORATED RS SEAT	3 & 4
B2	7543	3' EXPANDED METAL RS SEAT	3 & 4
C1	7319A	46" RS SEAT ASSEMBLY	3 & 4
C2	7151	MOUNTING PLATE COVER (OPTIONAL)	2
C3	7152	2 SEAT BOLT COVER - TOP	1
C4	7152A	2 SEAT BOLT COVER - BOTTOM	1
C5	7153	3 SEAT BOLT COVER - TOP	1
C6	7153A	3 SEAT BOLT COVER - BOTTOM	1
C7	7154	4 SEAT BOLT COVER	2
D	7306A	46" INGROUND POST	1
F	7464	46" SQ. POST MOUNTING FRAME	1

hardware identification:



ITEMS INCLUDED IN HARDWARE PACKAGE #			21004	21012 2X	21041	21101
ITEM	PART	DESCRIPTION	QTY	QTY	QTY	QTY
H	17011	5/16-18 x 1 1/2" HEX HEAD BOLT - SS	0	8	8	0
I	17013	3/8-16 x 1 1/4" HEX HEAD BOLT - SS	0	0	4	0
J	17051	7/16-14 x 5 1/2" HEX HEAD BOLT - SS	8	0	0	0
K	17044	7/16-14 HEX NUT - SS	8	0	0	0
M	17028	3/8" WASHER - SS	0	16	20	0
N	17032	5/16-18 HEX FINISH NUT - SS	0	8	8	0
O	17043	7/16" FLAT WASHER - SS	16	0	0	0
P	17052	1/4-20 x 1" MACHINE SCREW - SS	0	0	0	2
Q	17105	7/16" SPLIT LOCK WASHER - SS	8	0	0	0
R	17050	5/16" SPLIT LOCK WASHER - SS	0	8	8	0
S	17017	1/4-20 HEX NUT - SS	1	0	0	0
T	17103	5/16" FLAT WASHER - SS	2	0	0	0
U	17154	1/4-20 X 4 1/2" HEX BOLT - SS	1	0	0	0

ASSEMBLY TOOLS REQUIRED

- 2 - 1/2" WRENCHES
- 1 - 9/16" WRENCH
- 1 - FLAT SCREWDRIVER
- 1 - 3' OR 6' LEVEL
- 1 - 11/16" WRENCH
- 1 - 5/8" WRENCH

assembly procedures:

IMPORTANT: Assemblers should be reasonably skilled in the assembly of commercial grade/heavy duty fabricated steel equipment.

To ensure proper assembly, it is suggested that you take adequate time to locate and identify each part. To prevent scratching of the finished pieces, we recommend this unit to be assembled on a clean, flat, solid, surface with a drop cloth, allowing plenty of working room. Also please read the instructions and study the sketches very carefully. A little extra time spent before assembly will be well worth it in performing a complete, proper assembly. Please note that all parts have been pre-cut and pre-drilled.

During the assembly process leave all bolts and nuts "finger tight", until the entire unit is completely assembled. This allows room for movement to level or adjust all seats, tops, benches, framework and braces if necessary. After final adjustment and leveling, permanently tighten all nuts, bolts and fasteners.

STEP 1

Slide (F) onto end of (D), matching the square opening with the post, until it rest atop the post. Secure (F) and (D) with four (I) and four (M) into each pre-welded nut inside post, see FIG. 1. Draw bolts to a snug fit with a wrench.

STEP 2

Invert the top on a flat surface. Attach the (D/F) assembly to the inside of the top's center square mounting frame, see FIG. 2. Use eight (H) and (N) using two (M) and one (R) per (H). Draw the fasteners to a snug fit with wrenches.

STEP 3

Assemble bolt cover halves (C3) and temporarily bolt them together using two (P) bolts. Slide the bolt cover assembly onto the post care not to scratch the paint. Temporarily tie or affix the bolt cover assembly to (F) suspending the assembly during STEPS 4 & 5.

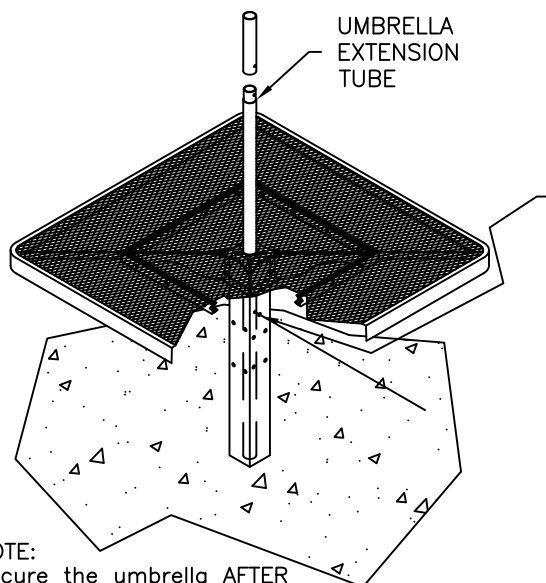
STEP 4

Prepare one foundation hole. Refer to product dimension on page 4.

STEP 5

Re-invert the table to its topside up position and place it in the footing hole. Block the table as shown in FIG. 3. Before pouring concrete, make sure the table is level horizontally as well as vertically and holds 30" to the top of the table.

Pour the concrete to form the footing and let cure for 48 hours.



NOTE:

Secure the umbrella AFTER the seat arms are assembled.

UMBRELLA SECUREMENT

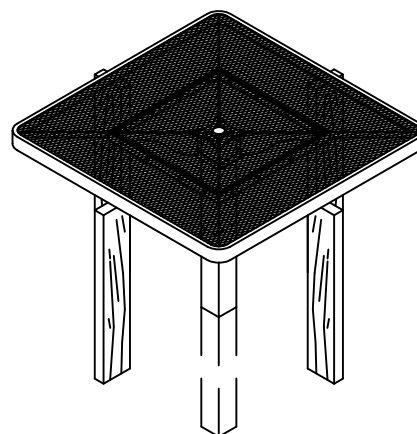
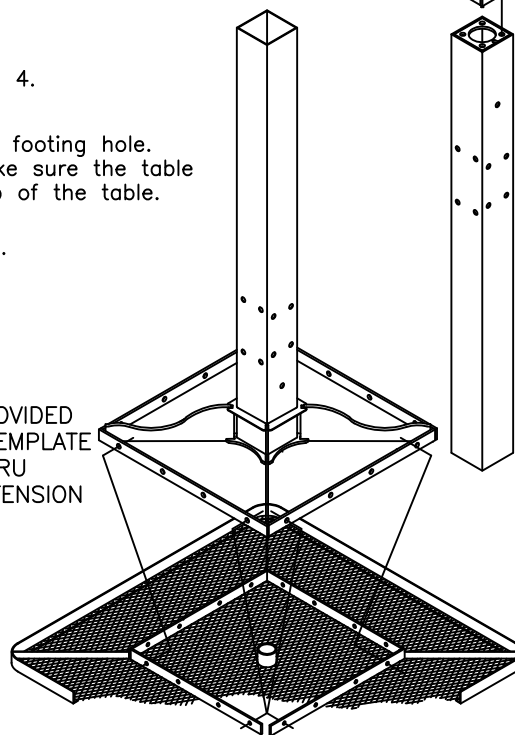
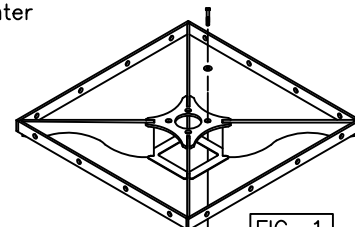
Insert the umbrella extension tube into the square inground/surface mount tube through the table top hole.

STEP A

Before drilling, be sure desired umbrella height is established. Drill a $\phi 1/4$ " hole thru umbrella extension tube using the $\phi 3/8$ " hole directly under table top as a template.

STEP B

Secure umbrella extension to table leg tube using one (U), two (T) and one (S). Tighten to snug fit.



installation:

WARNING: The proper installation for Wabash Valley products may depend upon many factors unique to the site, location, or use of a particular product. Consult with your contractor or other professional to determine your specific installation requirements.

assembly procedures, cont'd:

STEP 6

Separate the bolt cover assembly and allow the bottom half to slide down the post, keeping top half suspended. Use care not to scratch post and bolt covers. Attach each (C1) seat assembly arm to the inground post as shown in FIG. 5. Use four, per each seat assembly arm, (J) and (K) using two (O) and one (Q) per (J). Raise bottom half of bolt cover and secure to top half with two (P) machine screws.

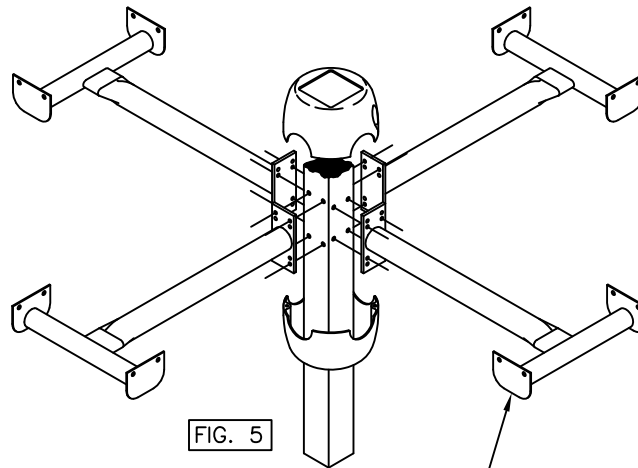


FIG. 5

NOTE: USE ONLY THREE
SEAT ASSEMBLIES
FOR THREE SEAT UNITS

STEP 7

Attach all three/four (B-) seats (see FIG. 5 NOTE) to the end of each seat assembly arm. Align the seat's mounting brackets to the outside of the seat assembly (C1), FIG. 6. Use four, per each seat, (H) and (N) using two (M) and one (R) per (H).

STEP 8

Level the seats and top, if necessary, and tighten all fasteners with wrenches.

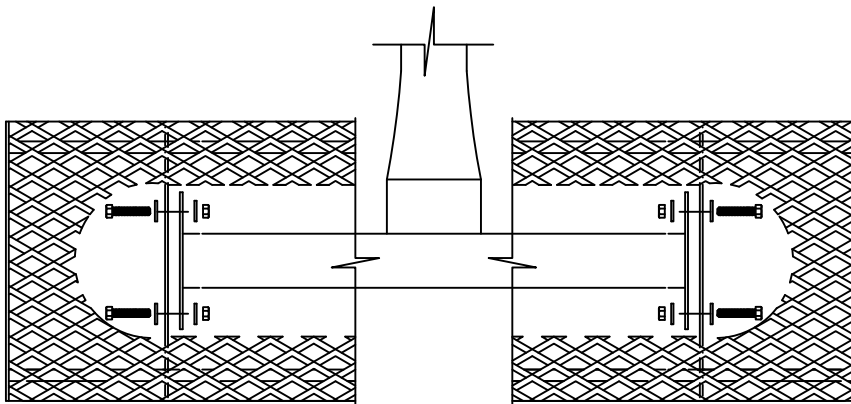


FIG. 6

If mounting plate covers (C2) are used, place halves around legs and secure with 2 (P) screws, see FIG. 4. Draw to a snug fit being careful not to over tighten.

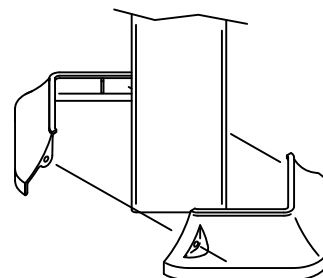
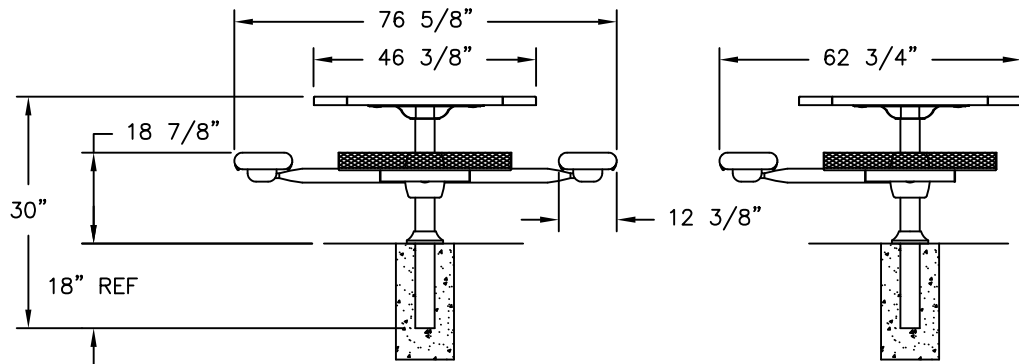
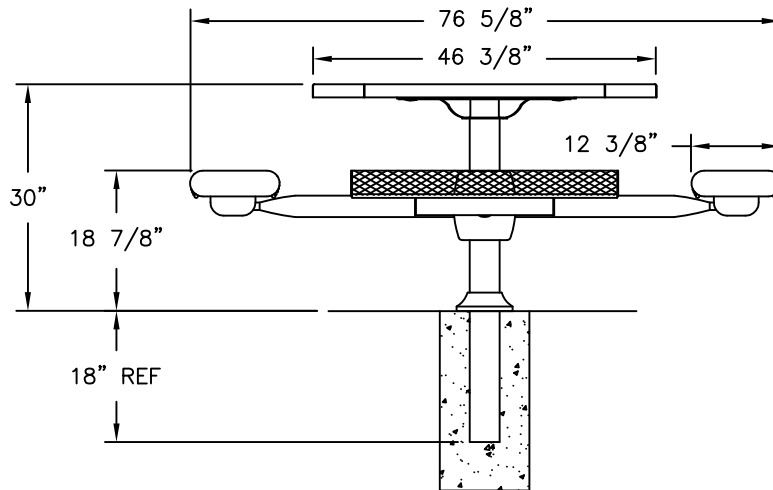


FIG. 4

product dimensions:



3 SEAT TABLE



4 SEAT TABLE