

model no:

PP400D, PP400P, PP400R, PP401D, PP401P,
PP401R, PP402D, PP402P, PP402R, PP403D,
PP403P, PP403R, PP410D, PP410P, PP410R,
PP411D, PP411P, PP411R, PP412D, PP412P,
PP412R, PP413D, PP413P, PP413R, PP420D,
PP420P, PP420R, PP421D, PP421P, PP421R,
PP422D, PP422P, PP422R, PP423D, PP423P, PP423R

PROFILE/PRESTIGE SERIES

4', 6' & 8' CONTOUR BENCH W/ARMS
EXPANDED METAL, PERFORATED, & RIB
PORTABLE, SURFACE MOUNT, INGROUND & GULLWING

customer service:

ASSEMBLERS: If you find any parts missing or damaged, or if you're having difficulty assembling your furniture/equipment, call us at:

* Before calling, have your product model number available.

1-800-253-8619 (Inside U.S.A.)

260-352-2102 (Outside U.S.A.)

Monday thru Friday,
8:00 AM - 4:30 PM Eastern Time
(EXCEPT HOLIDAYS)

maintenance:

Regular inspection and maintenance of all parts, and fasteners is necessary. Tighten all bolts and nuts. Inspect Tops, Seats, Legs, Braces and Fasteners periodically for wear or vandalism. Replace broken or worn parts immediately or take equipment out of service until repairs are made. Use genuine Wabash Valley replacement parts.

To restore plastisol coating to its luster after prolonged use, wash/rinse/dry and use Armor-All ® or similiar quality vinyl protectant.

KEEP THIS ASSEMBLY/SPECIFICATION SHEET FOR FUTURE REFERENCE.

specifications:

NOTE: We reserve the right to change specifications without notice.

Heat fused poly-vinyl coating, finished on inner-metal structure, to an approximate 3/16" thickness. Framework assemblies are finished with powder coating; electrostatically applied and oven cured according to powder manufacturer's specifications. Fasteners are stainless steel to resist corrosion.

BENCH LEGS:

Inground legs are constructed of 2 7/8" od x 12 gage structural steel tubing. Mounting brackets are 10 gage sheet steel. Surface mount legs consist of 2 7/8" od x 12 gage structural steel tubing. Mounting brackets are 10 gage sheet steel. Surface mount plate consists of 3/16" steel plate.

Portable legs consist of 2 3/8" od x 12 gage structural steel tubing. Mounting plates are 10 gage sheet steel. Brace mounting bracket is 1/4" X 1 1/2" flat bar steel. Gull wing leg is cast from #2 or equivalent aluminum. Braces are 1" od x 15 gage structural steel tubing. The surface mount screw-in attachments are made of steel plate 3/16" x 6" with a 5/8" threaded stud. The mounting cover plates are made of cast aluminum.

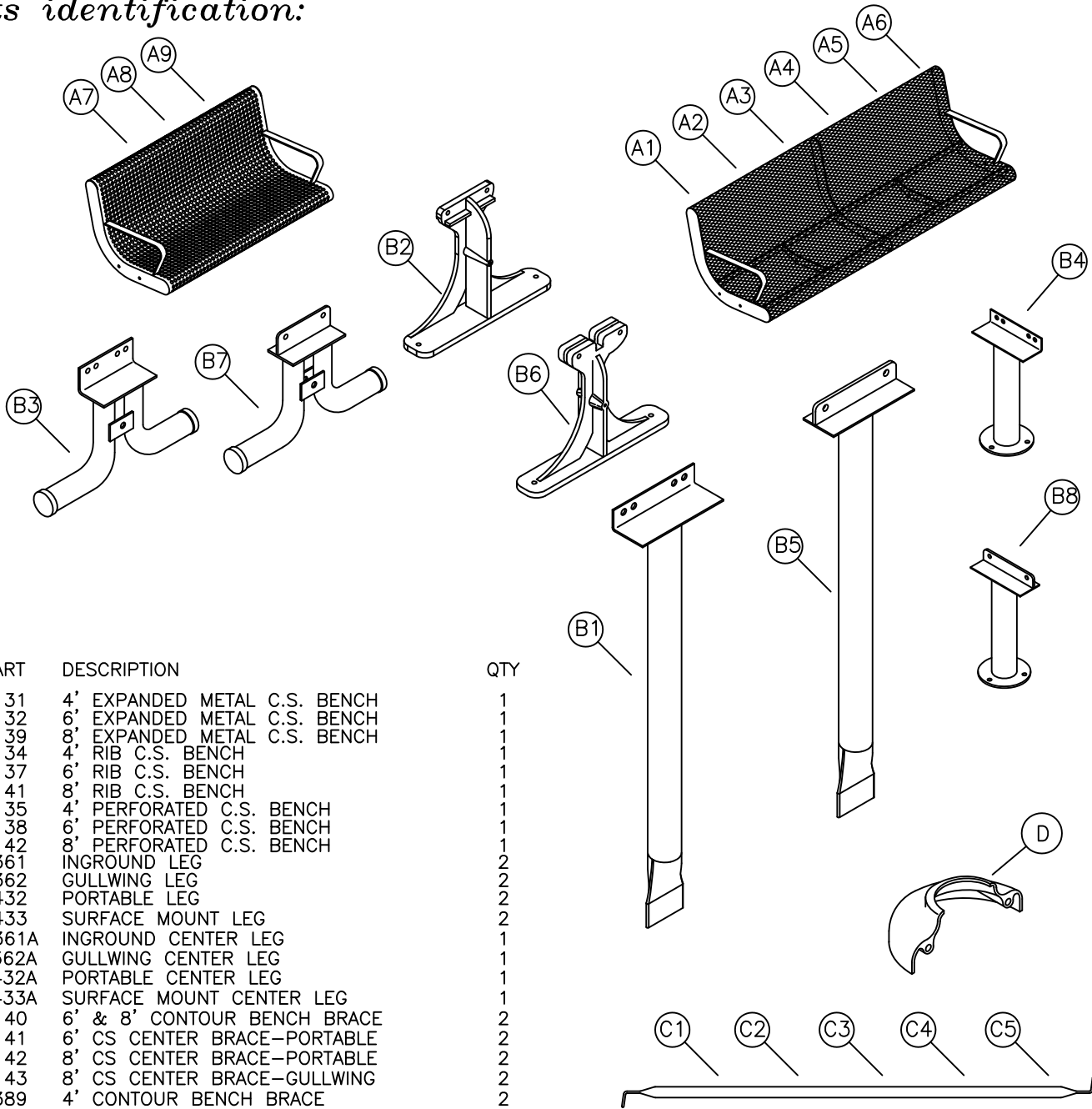
BENCH SEAT:

Expanded metal bench uses 3/4" #9, expanded steel. The rib pattern seats use 10 gage and perforated seats use 12 gage sheet steel. The bench seat's frame/mounting brackets are 10 gage sheet steel. The bench seat uses a 1/4" x 1 1/2" flat bar steel for added support, on the underside of the bench at the seat's crease in the contour shape. The ends of the rolled sides on expanded metal bench use a 1/2" diameter steel rod to add support.

GENERAL:

Ground space requirements for 4' benches are 48 1/8" x 26 1/8", 6' benches are 72 1/8" x 26 1/8" and 8' benches are 95 3/4" x 26 1/8". The benches are 17 1/2" to the highest part of the bench's seat, and 32" to the top of the bench's back depending on the specific leg used.

parts identification:



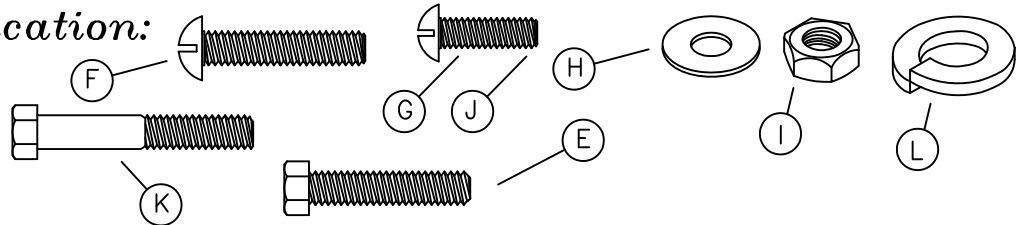
ITEM	PART	DESCRIPTION	QTY
A1	8131	4' EXPANDED METAL C.S. BENCH	1
A2	8132	6' EXPANDED METAL C.S. BENCH	1
A3	8139	8' EXPANDED METAL C.S. BENCH	1
A4	8134	4' RIB C.S. BENCH	1
A5	8137	6' RIB C.S. BENCH	1
A6	8141	8' RIB C.S. BENCH	1
A7	8135	4' PERFORATED C.S. BENCH	1
A8	8138	6' PERFORATED C.S. BENCH	1
A9	8142	8' PERFORATED C.S. BENCH	1
B1	7361	INGROUND LEG	2
B2	7362	GULLWING LEG	2
B3	7432	PORTABLE LEG	2
B4	7433	SURFACE MOUNT LEG	2
B5	7361A	INGROUND CENTER LEG	1
B6	7362A	GULLWING CENTER LEG	1
B7	7432A	PORTABLE CENTER LEG	1
B8	7433A	SURFACE MOUNT CENTER LEG	1
C1	7140	6' & 8' CONTOUR BENCH BRACE	2
C2	7141	6' CS CENTER BRACE-PORTABLE	2
C3	7142	8' CS CENTER BRACE-PORTABLE	2
C4	7143	8' CS CENTER BRACE-GULLWING	2
C5	7389	4' CONTOUR BENCH BRACE	2
D	7121	MOUNTING PLATE COVERS (OPTIONAL)	4 OR 6

hardware identification:

* FOUNDATION SECUREMENT
HARDWARE NOT INCLUDED

ASSEMBLY TOOLS REQUIRED:

- 2 - 1/2" WRENCHES
- 1 - 3' OR 6' LEVEL
- REGULAR TIP SCREWDRIVER



ITEMS	PART	DESCRIPTION	015	038	069	082	101	105	106	107	137
ITEMS	PART	DESCRIPTION	QTY	QTY	QTY	QTY	QTY	QTY	QTY	QTY	QTY
E	17011	5/16-18 x 1 1/2" HEX HEAD BOLT- SS	2	0	4	2	0	2	0	2	2
F	17025	5/16-18 x 1 1/2" MACHINE SCREW - SS	4	6	0	0	0	0	0	0	0
G	17088	5/16-18 x 1" TRUSS HEAD MS - SS	2	0	0	2	0	2	2	0	0
H	17028	3/8" FLAT WASHER - SS	16	12	8	14	0	8	6	4	4
I	17032	5/16-18 HEX FINISH NUT - SS	8	6	4	6	0	4	2	2	2
J	17052	1/4-20 x 1" MACHINE SCREW - SS	0	0	0	0	2	0	0	0	0
K	17012	5/16-18 x 2" HEX HEAD BOLT- SS	0	0	0	4	0	0	2	0	0
L	17050	5/16" SPLIT LOCK WASHER - SS	8	6	4	6	0	4	2	2	2

assembly procedures:

IMPORTANT: Assemblers should be reasonably skilled in the assembly of commercial grade/heavy duty fabricated steel equipment.

To ensure proper assembly, it is suggested that you take adequate time to locate and identify each part. To prevent scratching of the finished pieces, we recommend this unit to be assembled on a clean, flat, solid, surface with a drop cloth, allowing plenty of working room. Also please read the instructions and study the sketches very carefully. A little extra time spent before assembly will be well worth it in performing a complete, proper assembly. Please note that all parts have been pre-cut and pre-drilled.

During the assembly process leave all bolts and nuts "finger tight", until the entire unit is completely assembled. This allows room for movement to level or adjust all seats, tops, benches, framework and braces if necessary. After final adjustment and leveling, permanently tighten all nuts, bolts and fasteners.

STEP 1

Invert the (A-) bench so it's upside down on a flat surface. Attach both (B1, B2, B3, B4) legs to the inside, on each end of the bench, see FIG. 1. Use two, per each leg, (F) and (I) using two (H) and one (L) per (F).

STEP 2a - PORTABLE AND GULLWING LEGS ONLY

Attach one end of each (C5-4', C1-6' & 8') bench brace to the brace tab on each leg, see FIG. 2. Use one, per each leg, (G) and (I), using two (H) per (G). Attach the opposite ends, of each brace, to the seat's center brace as shown in FIG. 3. Use one (E) and (I) using two (H) and one (L) per (E).

STEP 2b - PORTABLE AND GULLWING CENTER LEGS ONLY

Attach one end of each (C3-8' Portable, C4-8' Gullwing) bench brace to the brace attachment on each leg, see FIG. 4. Use one, per each leg, (G), (L) and (H). Attach the opposite ends, of each brace, to the seat's center brace as shown in FIG. 3. Use one (E) and (I) using two (H) and one (L) per (E).

STEP 2c - INGROUND AND SURFACE MOUNT CENTER LEGS ONLY

Attach (B5, B8) legs to the center mounting bracket of the bench. See Fig. 5. Be sure the leg is mounted to the offset side of the leg bracket. Use two (E) and (I) using two (H) and one (L) per (E).

STEP 3

Tighten all fasteners with wrenches and re-invert the bench to its topside up position.

STEP 4 - GULL WING AND SURFACE MOUNT ONLY

If securing the unit to a foundation. Prepare and place the foundations securement hardware in its chosen location. The diagram on page 6 gives a detailed description of where the hole locations should be placed. When the foundation securement hardware has been installed, place the unit in its chosen location and secure to the foundation.

STEP 5 - INGROUND UNITS ONLY

Prepare two or three foundation holes as shown on page 4 of this assembly instruction sheet. Be sure and note the distances for each leg assembly and depth as well.

STEP 6

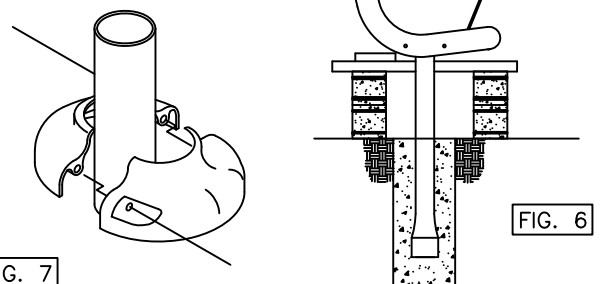
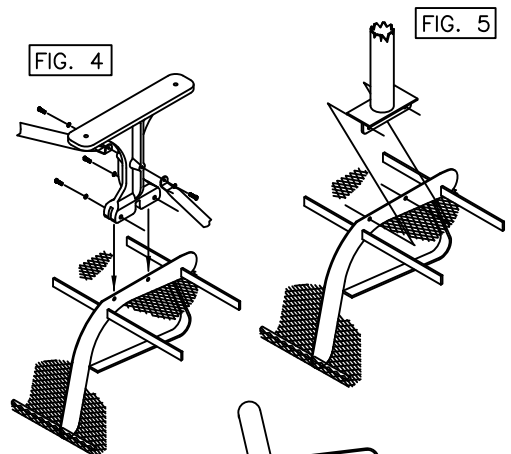
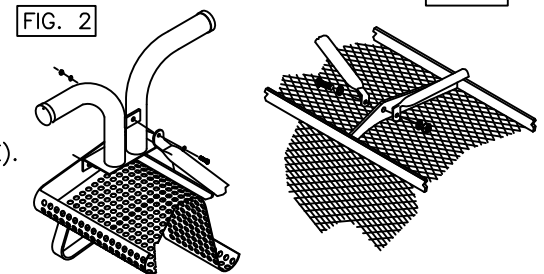
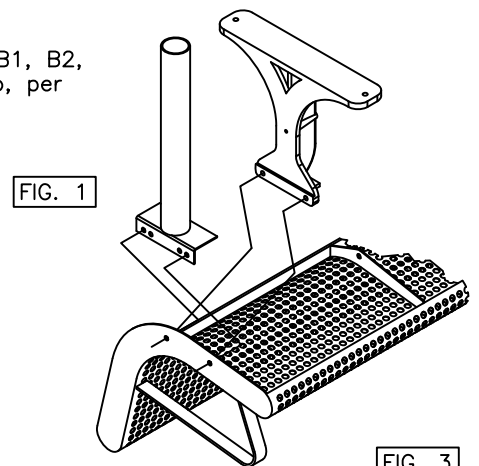
Place the unit in the footing holes. Block the unit as shown in FIG. 6.

Before pouring concrete, make sure the unit holds 17 1/2" to the top of the highest part in the bench's seat and is level horizontally as well as vertically.

Pour concrete and let cure for 48 hours.

Tighten all fasteners with wrenches.

If mounting plate covers (D) are used place halves around legs and secure with 2 (J) screws, see FIG. 7. Draw to a snug fit being careful not to over tighten.

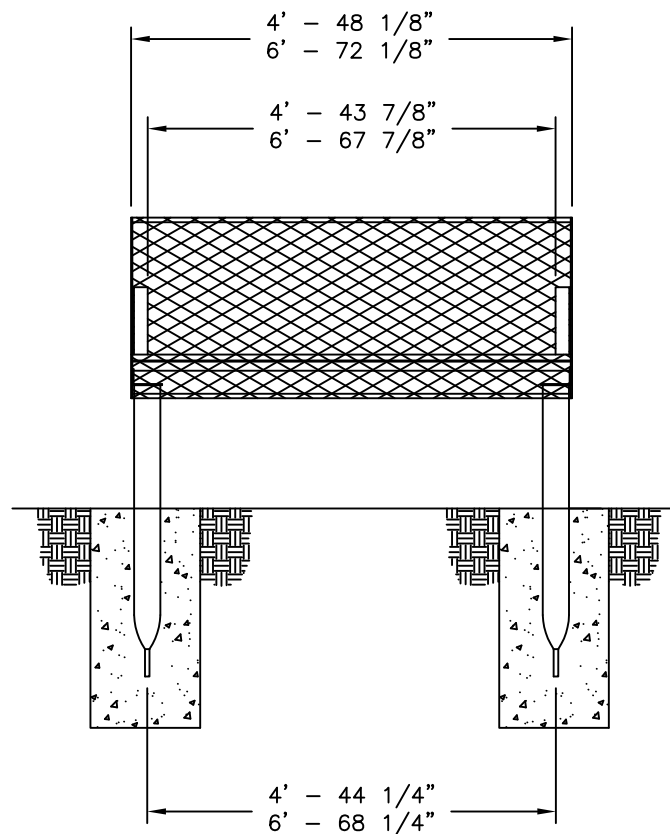
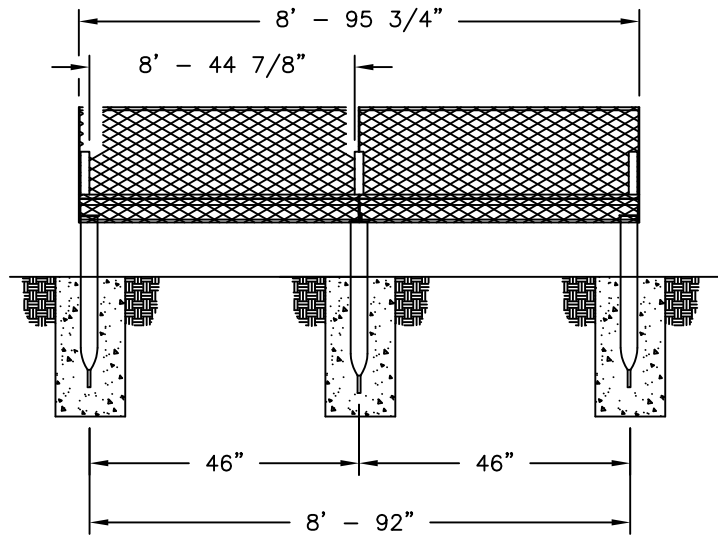
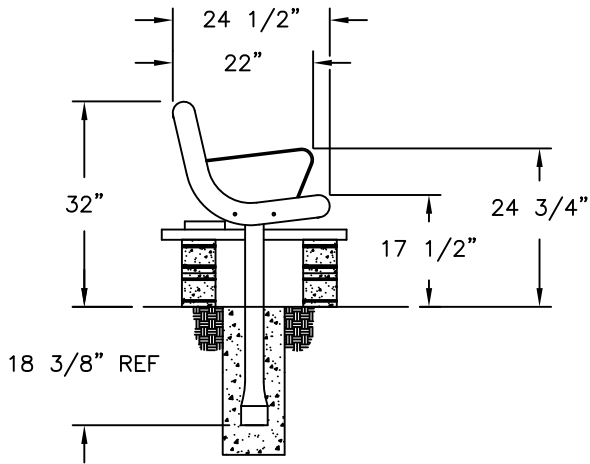


installation:

WARNING: The proper installation for Wabash Valley products may depend upon many factors unique to the site, location, or use of a particular product. Consult with your contractor or other professional to determine your specific installation requirements.

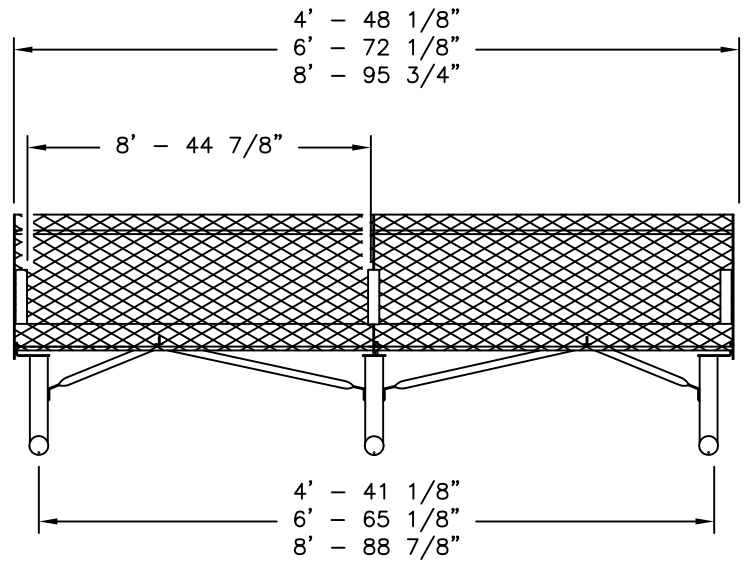
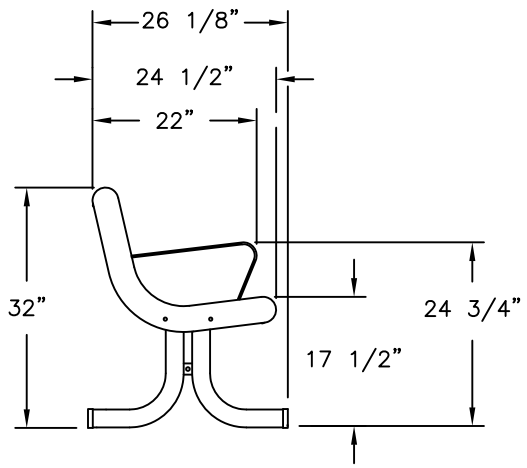
product dimensions:

INGROUND



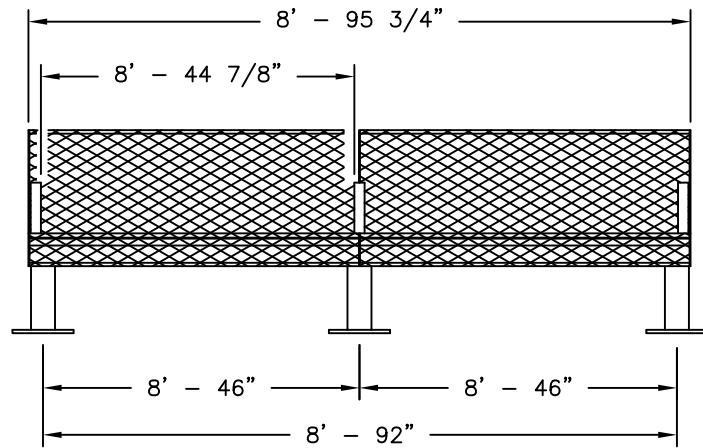
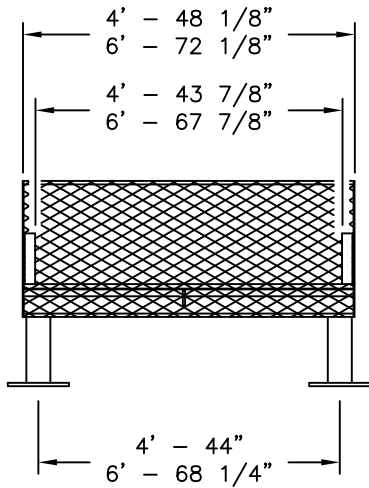
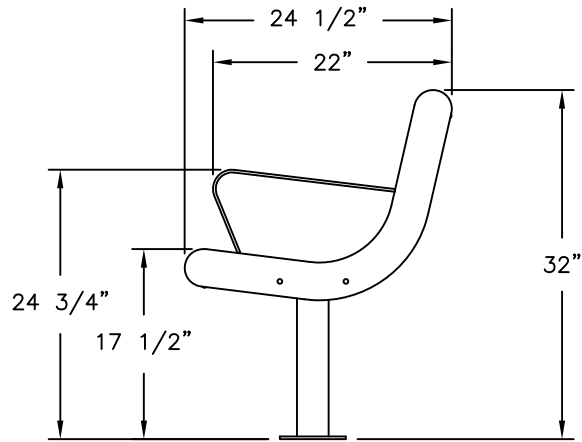
product dimensions:

PORTABLE



product dimensions:

SURFACE



GULLWING

