

*model no:*

PP203D, PP203P,  
PP208D, PP208P

**PRESTIGE/PROFILE SERIES**

46" OCTAGON SURFACE MOUNT TABLE W/3 & 4 SEATS,  
BASIC FRAME, EXPANDED METAL & PERFORATED

*customer service:*

ASSEMBLERS: If you find any parts missing or damaged, or if you're having difficulty assembling your furniture/equipment, call us at:

\* Before calling, have your product model number available.

1-800-253-8619 (Inside U.S.A.)

260-352-2102 (Outside U.S.A.)

Monday thru Friday,

8:00 AM - 4:30 PM Eastern Time

(EXCEPT HOLIDAYS)

*maintenance:*

Regular inspection and maintenance of all parts, and fasteners is necessary. Tighten all bolts and nuts. Inspect Tops, Seats, Legs, Braces and Fasteners periodically for wear or vandalism. Replace broken or worn parts immediately or take equipment out of service until repairs are made. Use genuine Wabash Valley replacement parts.

To restore plastisol coating to its luster after prolonged use, wash/rinse/dry and use Armor-All ® or similar quality vinyl protectant.

KEEP THIS ASSEMBLY/SPECIFICATION SHEET FOR FUTURE REFERENCE.

*specifications:*

NOTE: We reserve the right to change specifications without notice.

Heat fused poly-vinyl coating, finished on inner-metal structure, to an approximate 3/16" thickness.

Framework assemblies are finished with powder coating; electrostatically applied and oven cured according to powder manufacturer's specifications. Fasteners are stainless steel to resist corrosion.

**TABLE FRAME:**

Main support is constructed from 4" x 4" x 11 gage galvanized structural steel tubing. Surface mount leg base consists of 3/8" plate steel. Square mounting frame, for top, consists of 1/4" x 1 1/4" steel flat bar, 1/4" plate steel and 14 gage sheet steel. Seat assembly arm is constructed with 2 7/8" od x 9 gage galvanized structural steel tubing. Cross tubing is 2 3/8" od x 12 gage galvanized structural steel tubing. Seat's mounting ears are 10 gage sheet steel. Mounting bracket, to the post, is 3/8" x 3 1/2" x 8" plate steel.

**TOP & SEATS:**

Top and seat use fabricated 3/4" #9 expanded steel mesh and 12 gage sheet metal for the perforated. Framing consists of die formed 14 gage mitered angles 3/4" x 1 3/4". Top's square mounting frame is 1/4" x 1 1/2" steel flat bar and the seat's mounting brackets are 10 gage sheet steel. Top support braces are 1/8" x 1 1/2" strip steel.

**GENERAL:**

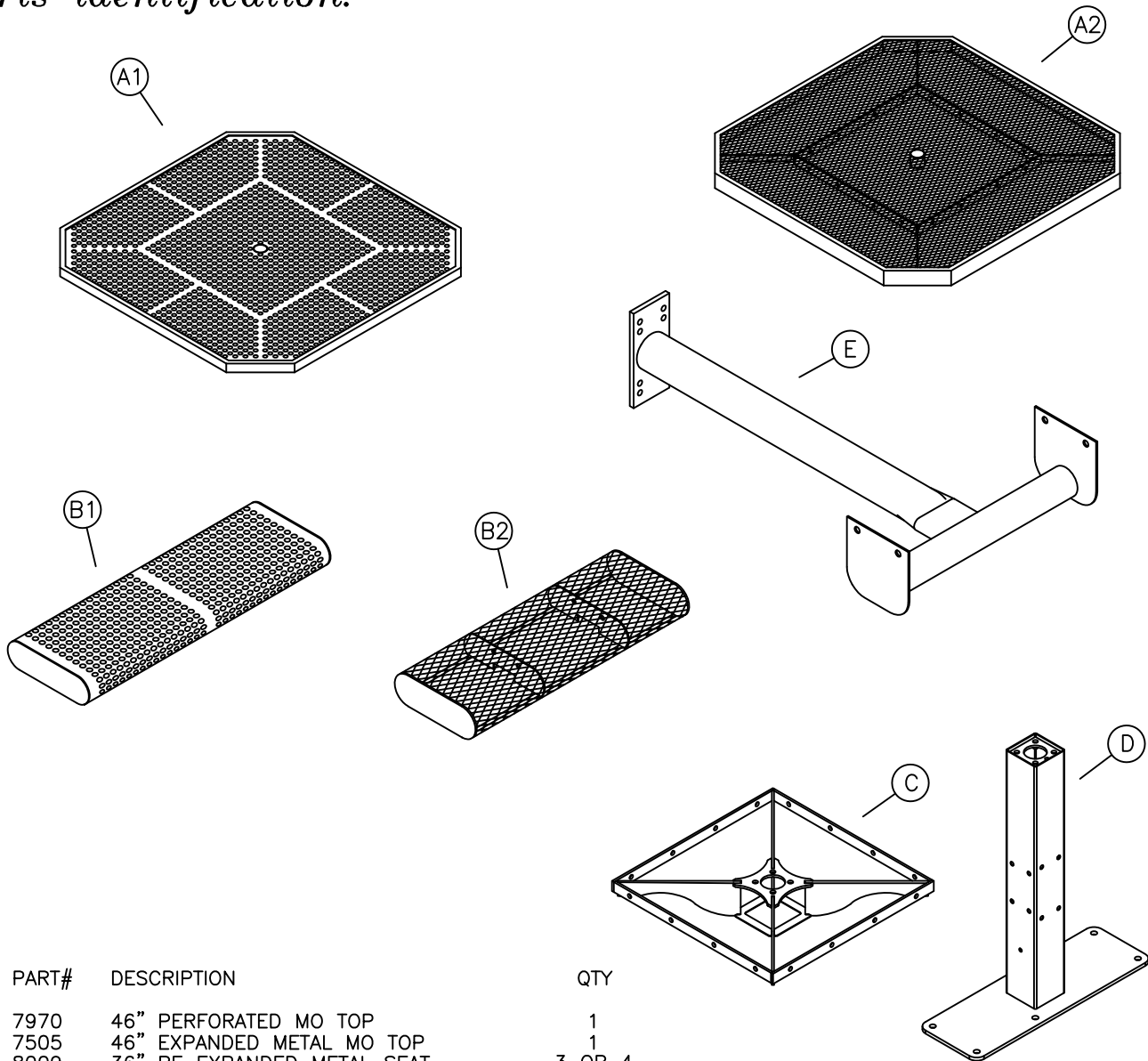
Ground space requirements for the four seat tables are 79 5/8" squared.

Ground space requirements for the three seat tables are 63" x 79 5/8".

Seats are 12 3/8" wide x 36 3/8" long and 20 1/4" to the top of the seat.

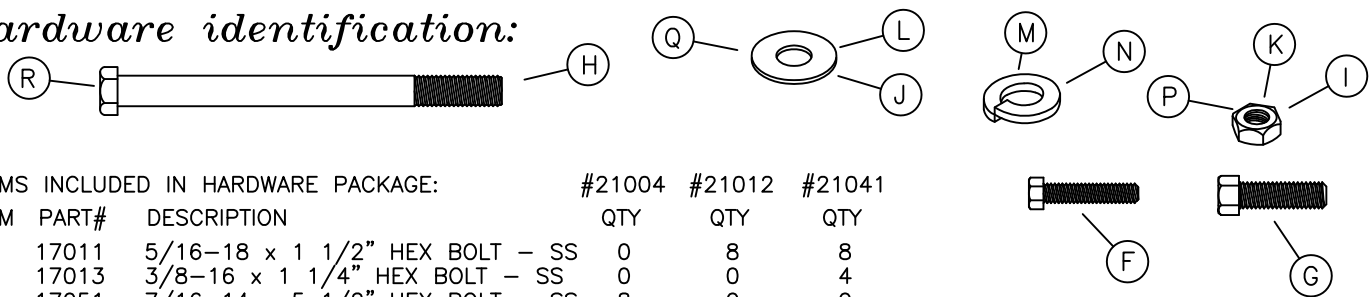
NOTE: When Umbrellas are used on Tables, the Umbrellas must be secured.  
Wabash Valley Umbrellas include an Umbrella Collar for securing.

*parts identification:*



ITEM	PART#	DESCRIPTION	QTY
A1	7970	46" PERFORATED MO TOP	1
A2	7505	46" EXPANDED METAL MO TOP	1
B1	8009	36" RE EXPANDED METAL SEAT	3 OR 4
B2	7543	36" RE PERFORATED SEAT	3 OR 4
C	7464	POST MOUNTING FRAME	1
D	7069A	46" RS SURFACE MOUNT POST	1
E	7319A	46" RS SEAT ASSEMBLY	3 OR 4

*hardware identification:*



ITEMS INCLUDED IN HARDWARE PACKAGE:			#21004	#21012	#21041
ITEM	PART#	DESCRIPTION	QTY	QTY	QTY
F	17011	5/16-18 x 1 1/2" HEX BOLT - SS	0	8	8
G	17013	3/8-16 x 1 1/4" HEX BOLT - SS	0	0	4
H	17051	7/16-14 x 5 1/2" HEX BOLT - SS	8	0	0
I	17044	7/16-14 HEX NUT - SS	8	0	0
J	17028	3/8" FLAT WASHER - SS	0	16	20
K	17032	5/16-18 HEX FINISH NUT - SS	0	8	8
L	17043	7/16" FLAT WASHER - SS	16	0	0
M	17050	5/16" SPLIT LOCK WASHER - SS	0	8	8
N	17105	7/16" SPLIT LOCK WASHER - SS	8	0	0
P	17017	1/4-20 HEX NUT - SS	1	0	0
Q	17103	5/16" FLAT WASHER - SS	2	0	0
R	17154	1/4-20 X 4 1/2" HEX BOLT - SS	1	0	0

ASSEMBLY TOOLS REQUIRED

- 2 - 1/2" WRENCHES
- 1 - 9/16" WRENCH
- 1 - TAPE MEASURE
- 1 - 3' OR 6' LEVEL
- 1 - 5/8" WRENCH
- 1 - 11/16" WRENCH

## assembly procedures:

**IMPORTANT:** Assemblers should be reasonably skilled in the assembly of commercial grade/heavy duty fabricated steel equipment.

To ensure proper assembly, it is suggested that you take adequate time to locate and identify each part. To prevent scratching of the finished pieces, we recommend this unit to be assembled on a clean, flat, solid, surface with a drop cloth, allowing plenty of working room. Also please read the instructions and study the sketches very carefully. A little extra time spent before assembly will be well worth it in performing a complete, proper assembly. Please note that all parts have been pre-cut and pre-drilled.

During the assembly process leave all bolts and nuts "finger tight", until the entire unit is completely assembled. This allows room for movement to level or adjust all seats, tops, benches, framework and braces if necessary. After final adjustment and leveling, permanently tighten all nuts, bolts and fasteners.

### STEP 1

Prepare and place the foundations securement hardware in its chosen location. A detailed description of where the hole locations should be placed is shown on page 4.

### STEP 2

When the foundation's securement hardware has been installed, place (D) post in its new location and secure to the foundation.

### STEP 3

Slide (C) onto end of (D), matching the square opening with the square post until it rests on the top of the post. Secure (C) to (D) engaging four (G) and (J) into pre-welded t-nuts inside post, see FIG. 1. Draw the bolts to a snug fit with wrenches.

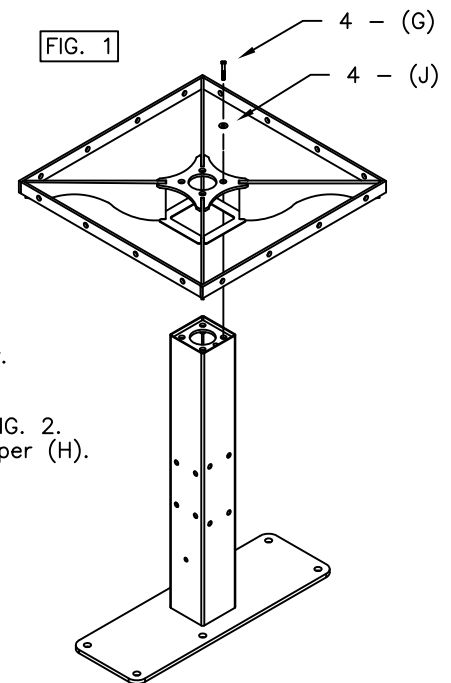
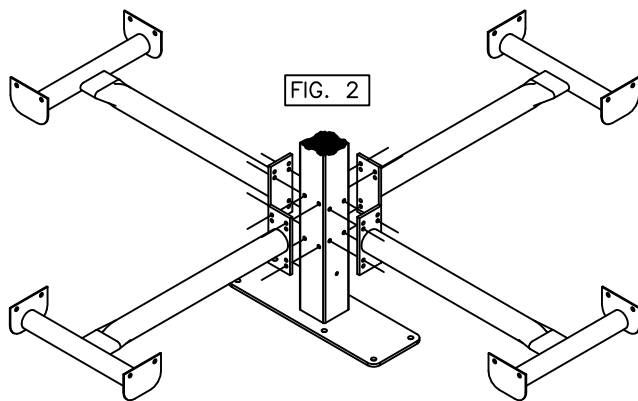
NOTE: Depending on the unit you have purchased, the following steps may differ.

### STEP 4

Attach each (E-) seat assembly arm to the surface mount post as shown in FIG. 2. Use four per each seat assembly arm, (H) and (I) using two (L) and one (N) per (H).

### STEP 5

Level the arms, then tighten fasteners with wrenches.

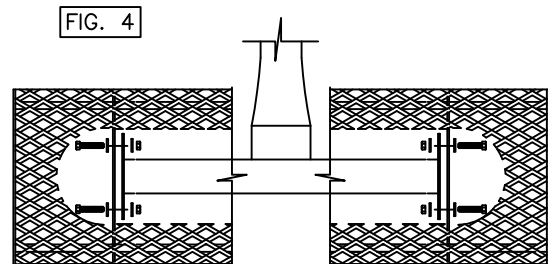


### STEP 6

Attach (3 or 4) seats (B-) to the end of each seat assembly arm, aligning the seat's brackets to the outside of the seat assembly arm's brackets as shown in FIG. 4. Use four, per each seat, (F) and (K) using two (J) and one (M) per (F).

### STEP 7

Level seats and top, if necessary, and tighten remaining fasteners with wrenches.



## installation:

**WARNING:** The proper installation for Wabash Valley products may depend upon many factors unique to the site, location, or use of a particular product. Consult with your contractor or other professional to determine your specific installation requirements.

## assembly procedures, cont'd:

### STEP 8

Attach (A-) top to the outside of the square mounting frame (C), See FIG. 3. Use eight (F) and (K) using two (J) and one (M) per (F). Draw the fasteners to a snug fit with wrenches.

USE HOLE PROVIDED IN TUBE AS TEMPLATE AND DRILL THRU UMBRELLA EXTENSION TUBE.

### NOTE:

Secure the umbrella AFTER the seat arms are assembled.

### UMBRELLA SECUREMENT

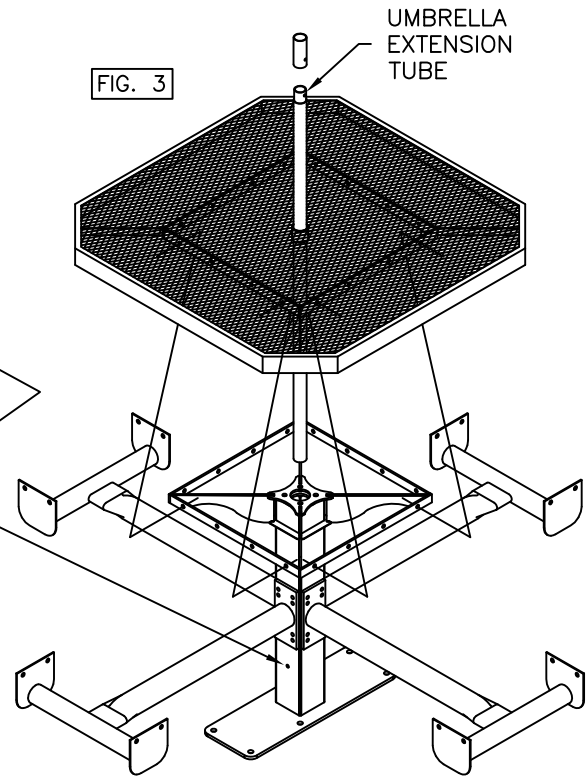
Insert the umbrella extension tube into the square inground/surface mount tube through the table top hole.

### STEP A

Before drilling, be sure desired umbrella height is established. Drill a  $\phi 1/4$ " hole thru umbrella extension tube using the  $\phi 3/8$ " hole directly under table top as a template.

### STEP B

Secure umbrella extension to table leg tube using one (R), two (Q) and one (P). Tighten to snug fit.



## product dimensions:

