

model no:

HR100M, HR100V
HR200M, HR200V

HERITAGE SERIES

PLANTER AND TRASH RECEPTACLES

customer service:

ASSEMBLERS: If you find any parts missing or damaged, or if you're having difficulty assembling your furniture/equipment, call us at:

* Before calling, have your product model number available.

1-800-253-8619 (Inside U.S.A.)

260-352-2102 (Outside U.S.A.)

Monday thru Friday,

8:00 AM - 4:30 PM Eastern Time

(EXCEPT HOLIDAYS)

maintenance:

Regular inspection and maintenance of all parts, and fasteners is necessary. Tighten all bolts and nuts. Inspect Tops, Seats, Legs, Braces and Fasteners periodically for wear or vandalism. Replace broken or worn parts immediately or take equipment out of service until repairs are made. Use genuine Wabash Valley replacement parts.

To restore plastisol coating to its luster after prolonged use, wash/rinse/dry and use Armor-All ® or similiar quality vinyl protectant.

KEEP THIS ASSEMBLY/SPECIFICATION SHEET FOR FUTURE REFERENCE.

specifications:

NOTE: We reserve the right to change specifications without notice.

Heat fused poly-vinyl coating, finished on inner-metal structure, to an approximate 3/16" thickness. Framework assemblies are finished with powder coating; electrostatically applied and oven cured according to powder manufacturer's specifications. Fasteners are stainless steel to resist corrosion.

LEGS

Legs are constructed of 6063 extruded aluminum tubing and end caps are #2 cast aluminum. Surface mount plates are made of 1/4" steel plate.

SIDE PANELS:

The side panels are constructed of 14 gage sheet steel.

FLOORS:

The floors are of 10 gage sheet steel and the mounting brackets are of 1/4" flat bar.

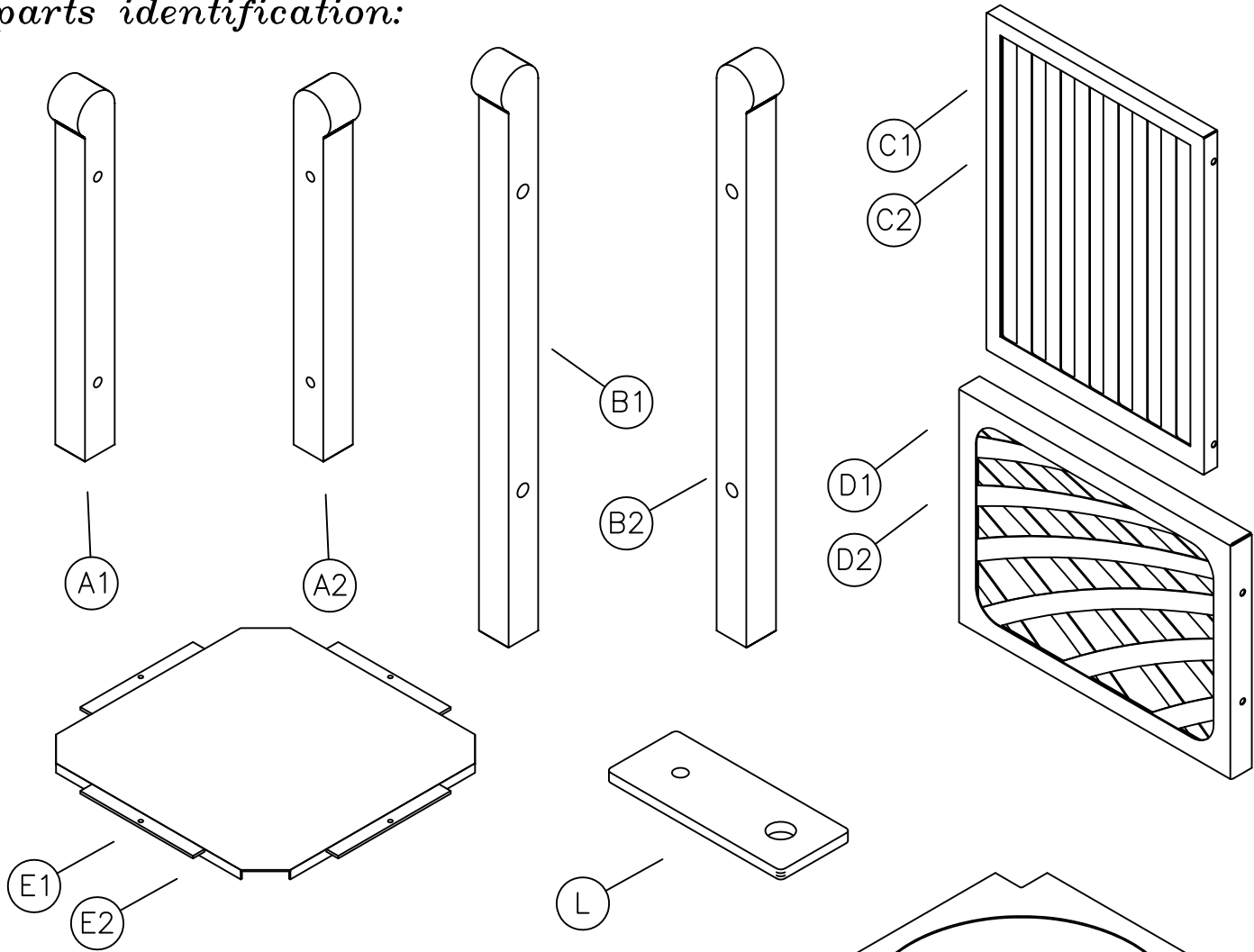
LID:

The trash receptacle lid is made of 14 gage sheet steel with 1/8" x 1" x 1" angle to rest a 32 flat top lid on.

GENERAL:

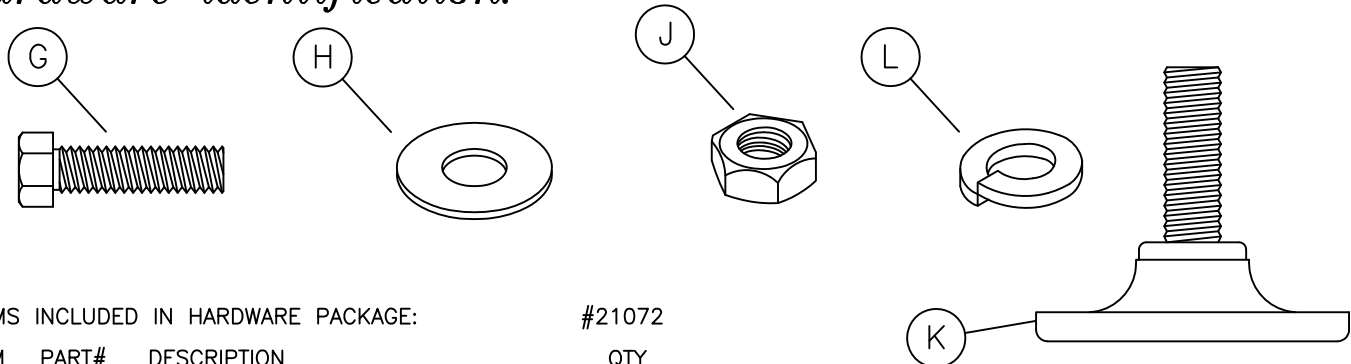
Ground space requirements for planters are 28 5/8" x 29" and 21 7/16" high.
Ground space requirements for receptacles are 27" x 26" and 33 1/2" high.

parts identification:



ITEM	PART#	DESCRIPTION	QTY
A1	7164	HERITAGE PLANTER LEG LEFT	2
A2	7164A	HERITAGE PLANTER LEG RIGHT	2
B1	7165	HERITAGE RECEPTACLE LEG RIGHT	2
B2	7165A	HERITAGE RECEPTACLE LEG LEFT	2
C1	8046	HERITAGE RECEPTACLE PANEL	4
C2	8102	HERITAGE RECEPTACLE PANEL - MISSION	4
D1	8047	HERITAGE PLANTER PANEL	4
D2	8103	HERITAGE PLANTER PANEL - MISSION	4
E1	7166	HERITAGE PLANTER BOTTOM	1
E2	7170	HERITAGE RECEPTACLE BOTTOM	1
F	7171	HERITAGE RECEPTACLE LID	1
L	HR315N	SURFACE MOUNT PAD W/HARDWARE (OPTIONAL)	1

hardware identification:



ITEMS INCLUDED IN HARDWARE PACKAGE: #21072

ITEM	PART#	DESCRIPTION	QTY
G	17094	5/16" x 1" HEX HEAD BOLT - SS	20
H	17103	5/16" FLAT WASHER - SS	24
J	17032	5/16" HEX FINISH NUT SS	4
K	19088	BLACK PLASTIC GLIDE	4
L	17050	5/16" SPLIT LOCK WASHER	4

ASSEMBLY TOOLS REQUIRED
 2 - 1/2" WRENCHES
 1 - 3' OR 6' LEVEL

assembly procedures:

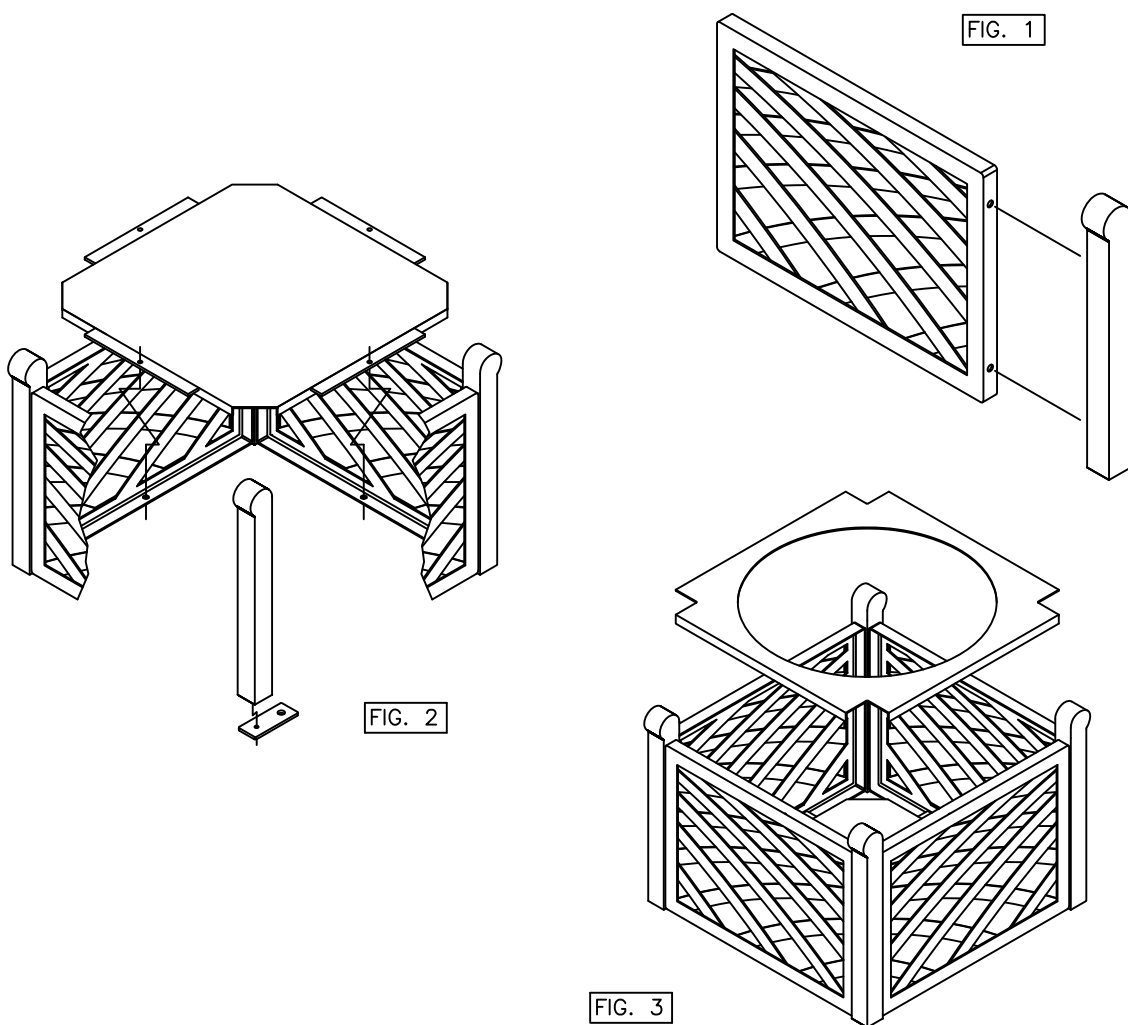
IMPORTANT: Assemblers should be reasonably skilled in the assembly of commercial grade/heavy duty fabricated steel equipment.

To ensure proper assembly, it is suggested that you take adequate time to locate and identify each part. To prevent scratching of the finished pieces, we recommend this unit to be assembled on a clean, flat, solid, surface with a drop cloth, allowing plenty of working room. Also please read the instructions and study the sketches very carefully. A little extra time spent before assembly will be well worth it in performing a complete, proper assembly. Please note that all parts have been pre-cut and pre-drilled.

During the assembly process leave all bolts and nuts "finger tight", until the entire unit is completely assembled. This allows room for movement to level or adjust all seats, tops, benches, framework and braces if necessary. After final adjustment and leveling, permanently tighten all nuts, bolts and fasteners.

7L

- STEP 1: Screw glides into bottom of legs. If surface mount pads are used replace glides with the pads. see FIG. 2.
- STEP 2: Attach side panels (C- or D-) to legs (A- or B-) using one (G) and (H) per each bolt hole, see FIG. 1.
- STEP 3: Insert planter/receptacle floor into assembled frame. Align the holes in the floor and side panels and attach using one (G), one (J), and two (H) and one (L) per each (G), see FIG. 2.
- STEP 4: Level all parts and tighten using proper tools.
- STEP 5: If trash receptacle is used, place a 32 gallon liner onto floor and lower lid onto top of side panels, see FIG. 3.



installation:

WARNING: The proper installation for Wabash Valley products may depend upon many factors unique to the site, location, or use of a particular product. Consult with your contractor or other professional to determine your specific installation requirements.

product dimensions:

