

*model no:*

GR106N

RING GRILL CAMPFIRE W/ STAKE ANCHORS

*customer service:*

**ASSEMBLERS:** If you find any parts missing or damaged, or if you're having difficulty assembling your furniture/equipment, call us at:

\* Before calling, have your product model number available.

1-800-253-8619 (Inside U.S.A.)

260-352-2102 (Outside U.S.A.)

Monday thru Friday,

8:00 AM - 4:30 PM Eastern Time

(EXCEPT HOLIDAYS)

*maintenance:*

Regular inspection and maintenance is necessary. Tighten all bolts and nuts. Inspect Braces and Fasteners periodically for wear or vandalism. Replace broken or worn parts immediately or take equipment out of service until repairs are made. Framework assemblies are finished with painted non-toxic, heat and rust-resistant black enamel.

KEEP THIS ASSEMBLY/SPECIFICATION SHEET FOR FUTURE REFERENCE.

*specifications:*

NOTE: We reserve the right to change specifications without notice.

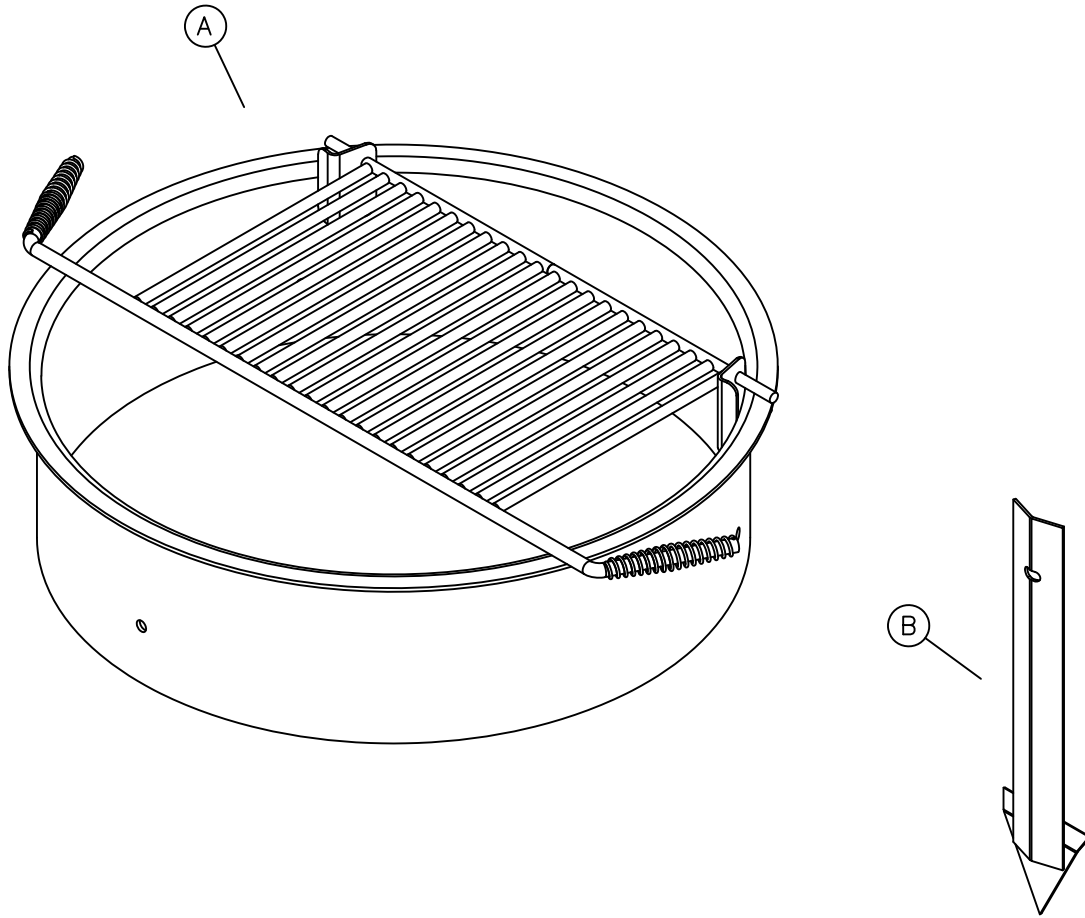
**GRILL:**

The grill grate is fabricated of 1/2" steel rod. The handles are made of coil spring steel. The fire box consists of 3/16" thick plate steel. The Stake Anchors are made of 12 gage sheet steel. The tabs are 1/4" thick plate steel. Pivot Brackets are made of 1/8" thick sheet steel.

**GENERAL:**

The overall dimensions of the Ring Grill Campfire are: 40 3/4" [1035mm] width x 33 13/16" [860mm] deep x 10 1/4" [260mm] high.

# parts identification:



ITEM	PACKAGE#	DESCRIPTION
A, B	PQG06N	RING GRILL CAMPFIRE W/ STAKE ANCHORS (3)

# hardware identification:

HARDWARE PACKAGE INCLUDED

## ASSEMBLY TOOLS REQUIRED

- 1 - 2' OR 4' LEVEL
- 2 - 3/4" WRENCHES

## assembly procedures:

**IMPORTANT:** Assemblers should be reasonably skilled in the assembly of commercial grade/heavy duty fabricated steel equipment.

To ensure proper assembly, it is suggested that you take adequate time to locate and identify each part. To prevent scratching of the finished pieces, we recommend this unit to be assembled on a clean, flat, solid, surface with a drop cloth, allowing plenty of working room. Also please read the instructions and study the sketches very carefully. A little extra time spent before assembly will be well worth it in performing a complete, proper assembly. Please note that all parts have been pre-cut and pre-drilled.

During the assembly process leave all bolts and nuts "finger tight", until the entire unit is completely assembled. This allows room for movement to level or adjust all framework and braces if necessary. After final adjustment and leveling, permanently tighten all nuts, bolts and fasteners.

7L

### STEP 1

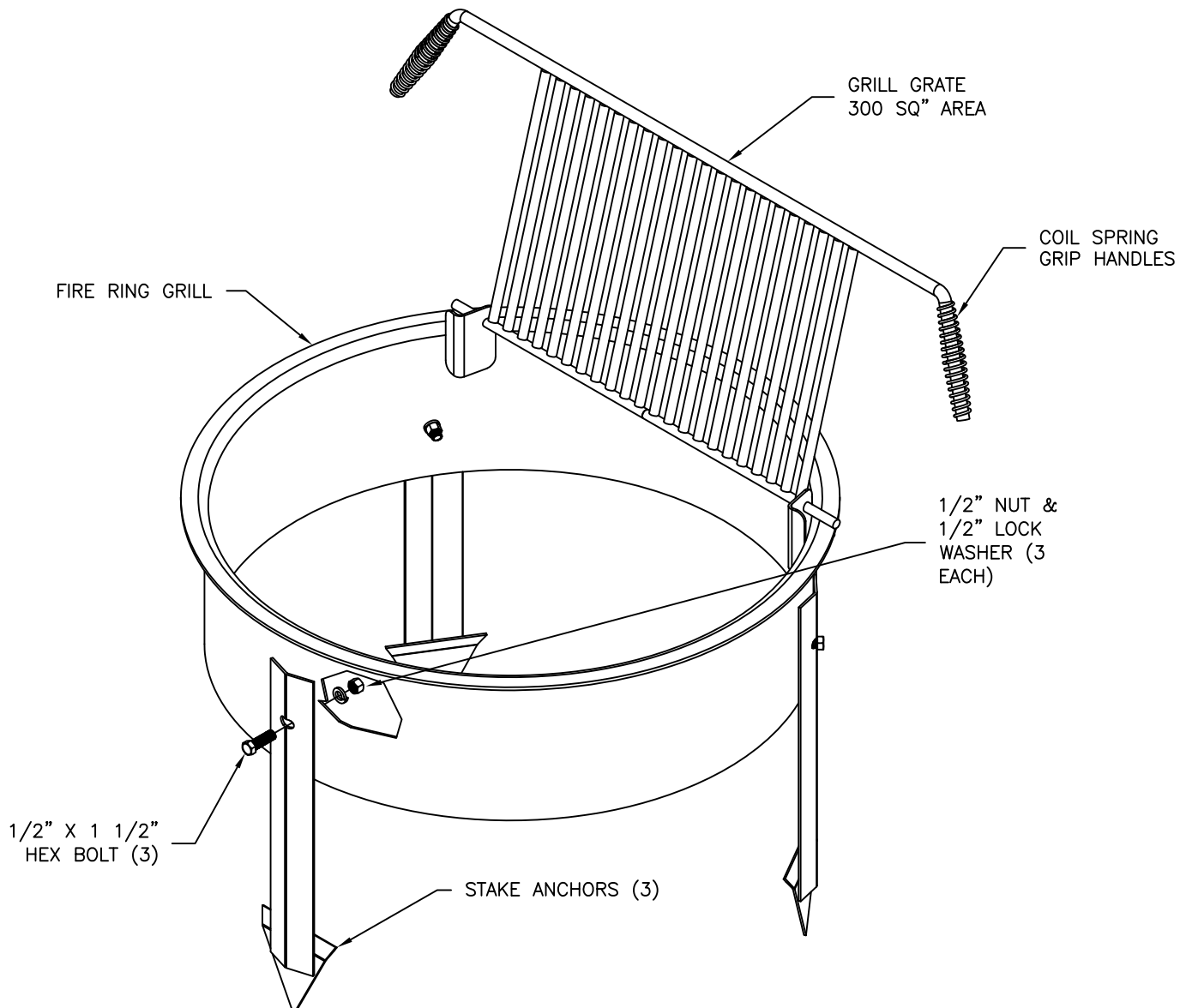
Prior to use, mark a line on the ground on the outside of the grill for anchor stake placements. Also mark the center line where the bolts mount to the grill.

### STEP 2

Using a hammer drive Anchor Stake, at determined location, into ground to a depth where the center of the slot in stake is 3" above ground level. Repeat to install the other Stake Anchors.

### STEP 3

Slide Fire Ring Grill into place and bolt to Anchor Stakes using one 1/2" x 1 1/2" Hex Bolt, one 1/2" nut and one 1/2" lock washer per each hole. Tighten bolts to snug fit.



## installation:

**WARNING:** The proper installation for these products may depend upon many factors unique to the site, location, or use of a particular product. Consult with your contractor or other professional to determine your specific installation requirements.

# product dimensions:

