

*model no:*

GR104N

GRILL GROUP PEDESTAL MOUNT F/SHELTER

*customer service:*

**ASSEMBLERS:** If you find any parts missing or damaged, or if you're having difficulty assembling your furniture/equipment, call us at:

\* Before calling, have your product model number available.

1-800-253-8619 (Inside U.S.A.)

260-352-2102 (Outside U.S.A.)

Monday thru Friday,

8:00 AM - 4:30 PM Eastern Time

(EXCEPT HOLIDAYS)

*maintenance:*

Regular inspection and maintenance is necessary. Tighten all bolts and nuts. Inspect Braces and Fasteners periodically for wear or vandalism. Replace broken or worn parts immediately or take equipment out of service until repairs are made. Framework assemblies are finished with painted non-toxic, heat and rust-resistant black enamel.

KEEP THIS ASSEMBLY/SPECIFICATION SHEET FOR FUTURE REFERENCE.

*specifications:*

NOTE: We reserve the right to change specifications without notice.

**GRILL:**

The grill is fabricated of 1/2" steel rod. The handles are made of coil spring steel. The fire box consists of 3/16" thick plate steel. The surface mount plate is 12 x 12 x 3/8 thick. The square tube is 6 x 6 x 3/16" O.D. structural steel tubing.

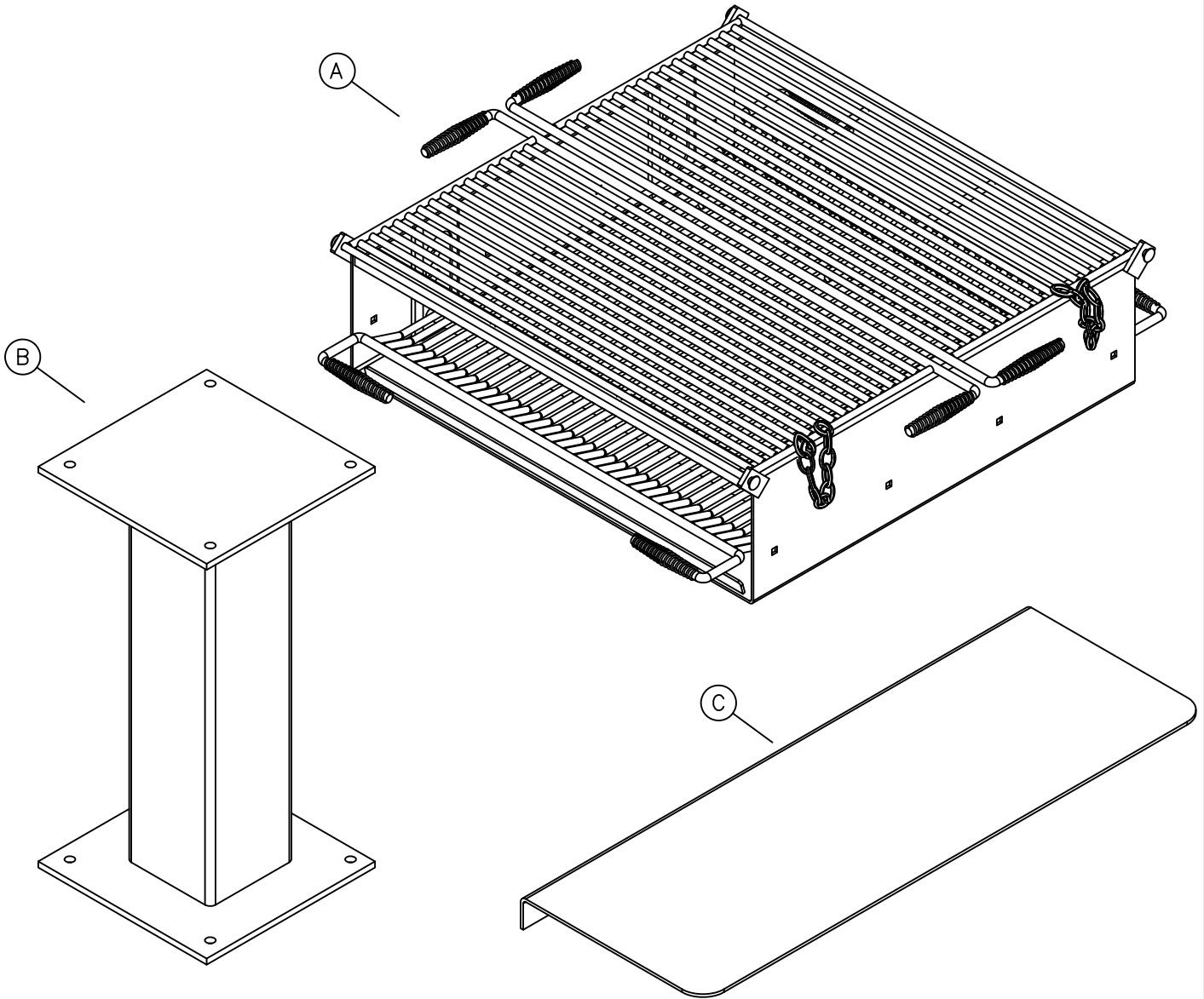
**UTILITY SHELF:**

The utility shelf is fabricated of 12" x 36" x 3/16" thick plate steel.

**GENERAL:**

The overall dimensions of the Grill Group Pedestal Mount F/Shelter are: 45" [1143mm] width x 47 1/4" [1200mm] long w/ utility shelf 59 1/4 [1505mm] x 24 3/4" [629mm] high to bottom of pedestal mount.

# parts identification:



ITEM	PACKAGE#	DESCRIPTION
A, B, C	PQG04N	GRILL GROUP PEDESTAL MOUNT F/SHELTER, SURFACE MOUNT POST, UTILITY SHELF

# hardware identification:

## HARDWARE PACKAGE INCLUDED

### ASSEMBLY TOOLS REQUIRED

- 1 - 2' OR 4' LEVEL
- 2 - 3/4" WRENCHES
- 1 - 1/2" WRENCHES

## assembly procedures:

**IMPORTANT:** Assemblers should be reasonably skilled in the assembly of commercial grade/heavy duty fabricated steel equipment.

To ensure proper assembly, it is suggested that you take adequate time to locate and identify each part. To prevent scratching of the finished pieces, we recommend this unit to be assembled on a clean, flat, solid, surface with a drop cloth, allowing plenty of working room. Also please read the instructions and study the sketches very carefully. A little extra time spent before assembly will be well worth it in performing a complete, proper assembly. Please note that all parts have been pre-cut and pre-drilled.

During the assembly process leave all bolts and nuts "finger tight", until the entire unit is completely assembled. This allows room for movement to level or adjust all framework and braces if necessary. After final adjustment and leveling, permanently tighten all nuts, bolts and fasteners.

76

### STEP 1

Prepare and place the foundations' securement hardware in its' chosen locaton. See page 4 for dimensions needed to complete surface mount installation.

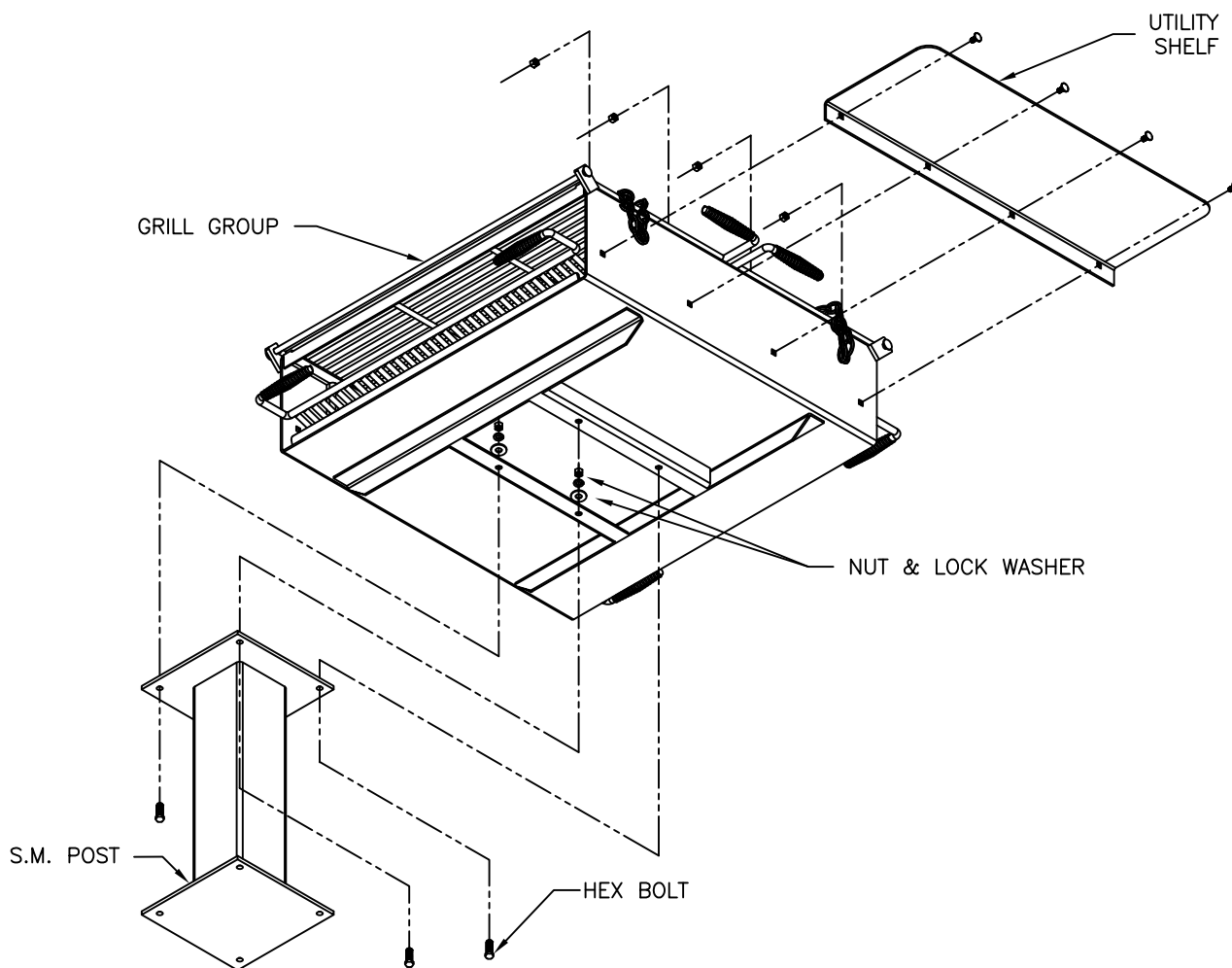
NOTE: SURFACE MOUNT BOLTS NOT INCLUDED.

### STEP 2

Two person lift required, place grill body on top of secured pedestal mount. Secure grill to pedestal post using one of each per four holes, the 1/2" x 1 1/2" hex bolt, 5/8" flat washer, 1/2" split lock washer and 1/2" hex nut. Tighten hardware with proper tools.

### STEP 3 (OPTIONAL)

Choose left or right side to bolt the utility shelf. Using the 1/2" carriage bolt and 1/2" nut per each hole. Tighten hardware with proper tools.



## installation:

**WARNING:** The proper installation for these products may depend upon many factors unique to the site, location, or use of a particular product. Consult with your contractor or other professional to determine your specific installation requirements.

# product dimensions:

