

model no:

DS600D, DS601D, DS602D, DS610D,
DS611D, DS612D, DS600T, DS601T,
DS602T, DS610T, DS611T, DS612T

DESIGNER SERIES

4', 6' AND 8' PLANTER BENCHES
EXPANDED METAL AND STEEL SLATS

customer service:

ASSEMBLERS: If you find any parts missing or damaged, or if you're having difficulty assembling your furniture/equipment, call us at:

* Before calling, have your product model number available.

1-800-253-8619 (Inside U.S.A.)

260-352-2102 (Outside U.S.A.)

Monday thru Friday,
8:00 AM - 4:30 PM Eastern Time

(EXCEPT HOLIDAYS)

maintenance:

Regular inspection and maintenance of all parts, and fasteners is necessary. Tighten all bolts and nuts. Inspect Tops, Seats, Legs, Braces and Fasteners periodically for wear or vandalism. Replace broken or worn parts immediately or take equipment out of service until repairs are made. Use genuine Wabash Valley replacement parts.

To restore plastisol coating to its luster after prolonged use, wash/rinse/dry and use Armor-All ® or similar quality vinyl protectant.

KEEP THIS ASSEMBLY/SPECIFICATION SHEET FOR FUTURE REFERENCE.

specifications:

NOTE: We reserve the right to change specifications without notice.

Heat fused poly-vinyl coating, finished on inner-metal structure, to an approximate 3/16" thickness. Framework assemblies are finished with powder coating; electrostatically applied and oven cured according to powder manufacturer's specifications. Fasteners are stainless steel to resist corrosion.

BENCHES:

The expanded metal benches use 3/4 #9 expanded metal for the bench panel and 14 gage sheet steel for the frame. The mounting brackets and supports are 1/4 flat bar. The steel slats are made of 10 gage sheet metal with 1/4" flat bar mounting brackets and supports.

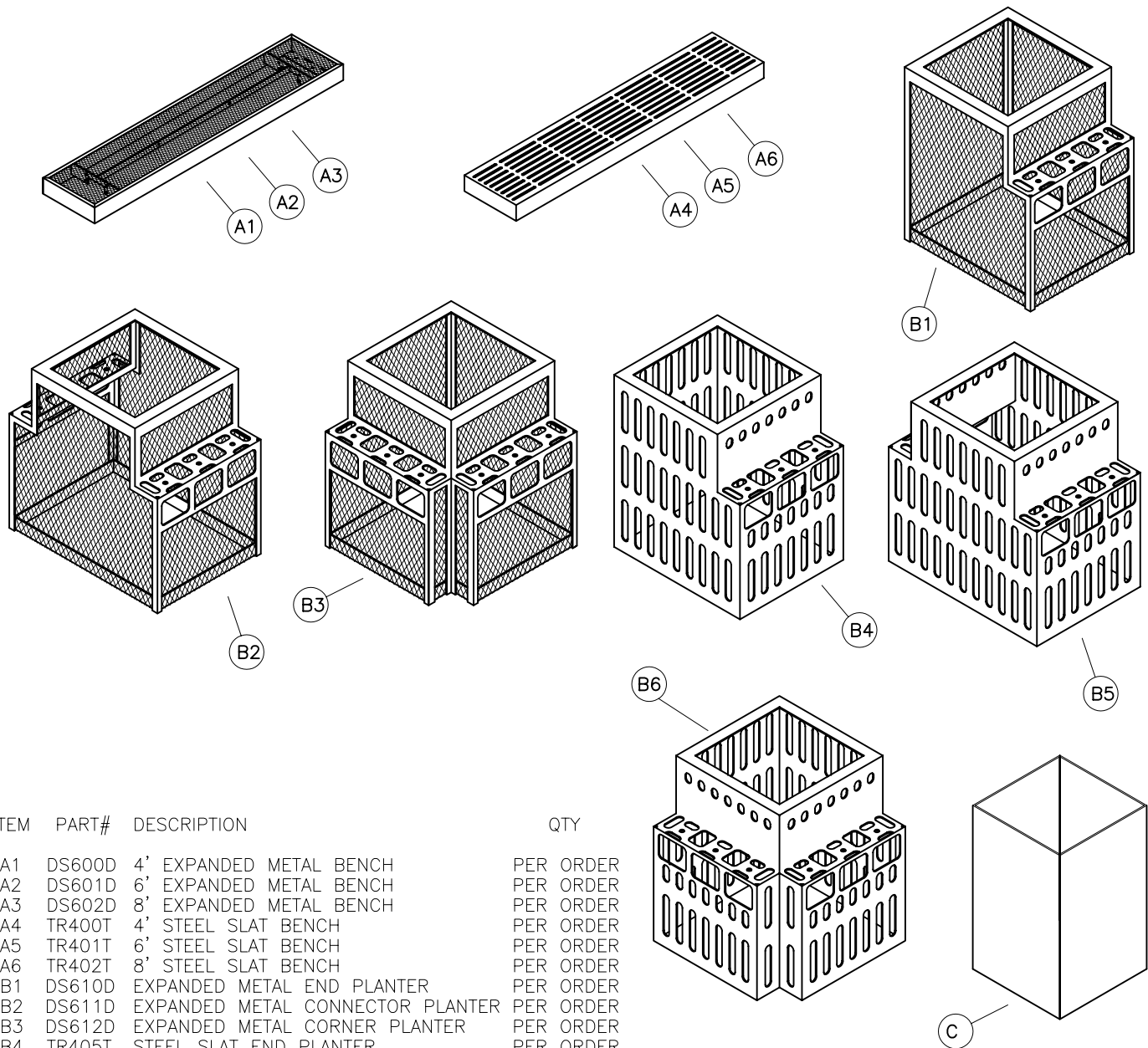
PLANTERS:

The expanded metal planters are made of 3/4 #9 expanded metal with 10 gage frame and 1/8" strip around the bottom. The steel slat planters are made of 10 gage sheet metal.

GENERAL

The 4' planter bench ground space requirements are 15 3/8" x 79 1/4". It is 22 1/8" to the top of the planter and 19 1/8" to the top of the bench. Add 48 1/2" and 15 3/8" for each additional bench and planter respectively. The 6' planter bench ground space requirements are 15 3/8" x 103 1/4". It is 22 1/8" to the top of the planter and 19 1/8" to the top of the bench. Add 72 1/2" and 15 3/8" for each additional bench and planter respectively. The 8' planter bench ground space requirements are 15 3/8" x 127 1/8". It is 22 1/8" to the top of the planter and 19 1/8" to the top of the bench. Add 96 3/8" and 15 3/8" for each additional bench and planter respectively. The 4' corner planter bench ground space requirements are 79 1/4" x 79 1/4". The planter is 22 1/8" tall and 19 1/8" to the top of the bench. Add 48 1/2" and 15 3/8" for each additional bench and planter respectively. The 6' corner planter bench ground space requirements are 103 1/4" x 103 1/4". The planter is 22 1/8" tall and 19 1/8" to the top of the bench. Add 72 1/2" and 15 3/8" for each additional bench and planter respectively. The 8' corner planter bench ground space requirements are 127 1/8" x 127 1/8". The planter is 22 1/8" tall and 19 1/8" to the top of the bench. Add 96 3/8" and 15 3/8" for each additional bench and planter respectively.

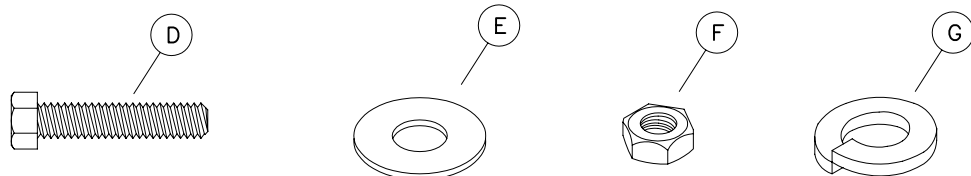
parts identification:



ITEM	PART#	DESCRIPTION	QTY
A1	DS600D	4' EXPANDED METAL BENCH	PER ORDER
A2	DS601D	6' EXPANDED METAL BENCH	PER ORDER
A3	DS602D	8' EXPANDED METAL BENCH	PER ORDER
A4	TR400T	4' STEEL SLAT BENCH	PER ORDER
A5	TR401T	6' STEEL SLAT BENCH	PER ORDER
A6	TR402T	8' STEEL SLAT BENCH	PER ORDER
B1	DS610D	EXPANDED METAL END PLANTER	PER ORDER
B2	DS611D	EXPANDED METAL CONNECTOR PLANTER	PER ORDER
B3	DS612D	EXPANDED METAL CORNER PLANTER	PER ORDER
B4	TR405T	STEEL SLAT END PLANTER	PER ORDER
B5	TR406T	STEEL SLAT CONNECTOR PLANTER	PER ORDER
B6	TR407T	STEEL SLAT CORNER PLANTER	PER ORDER
C	PB1220	PLANTER LINER	PER ORDER

ITEMS NOT TO SCALE

hardware identification:



ITEMS INCLUDED IN HARDWARE PACKAGE:

(1) or (2) #21092

ITEM	PART#	DESCRIPTION	QTY	ASSEMBLY TOOLS REQUIRED
D	17011	5/16" X 1 1/2" HEX HEAD BOLT - S.S.	3	2 - 1/2" WRENCHES
E	17028	3/8" I.D. X 7/8" O.D. WASHER - S.S.	6	
F	17032	5/16" HEX FINISH NUT - S.S.	3	
G	17050	5/16" SPLIT LOCK WASHER - S.S.	3	

assembly procedures: IMPORTANT: Assemblers should be reasonably skilled in the assembly of commercial grade/heavy duty fabricated steel equipment.

To ensure proper assembly, it is suggested that you take adequate time to locate and identify each part. To prevent scratching of the finished pieces, we recommend this unit to be assembled on a clean, flat, solid, surface with a drop cloth, allowing plenty of working room. Also please read the instructions and study the sketches very carefully. A little extra time spent before assembly will be well worth it in performing a complete, proper assembly. Please note that all parts have been pre-cut and pre-drilled.

During the assembly process leave all bolts and nuts "finger tight", until the entire unit is completely assembled. This allows room for movement to level or adjust all seats, tops, benches, framework and braces if necessary. After final adjustment and leveling, permanently tighten all nuts, bolts and fasteners.

7L

STEP 1: Slip planter down over liner as shown in FIG. 1.

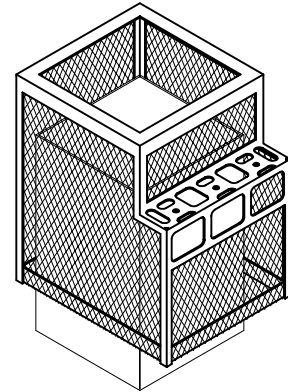


FIG. 1

STEP 2: Locate two planters (B-), bench (A-) length from each other. Place bench (A-) on the shelves of the two planters (B-). Align holes of bench (A-) and planter (B-) shelves. Use three (D), six (E) and three (F) and three (G) for each end of each bench. Repeat Step 2 for the number of planters and configuration of order.

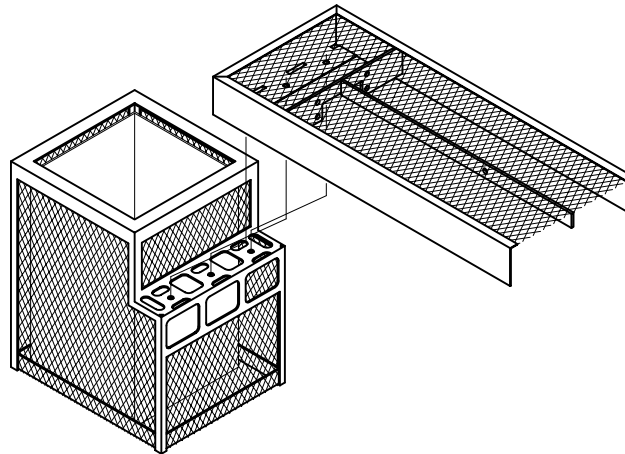
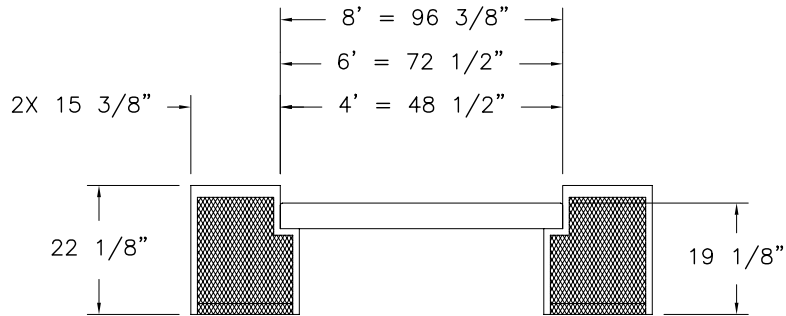
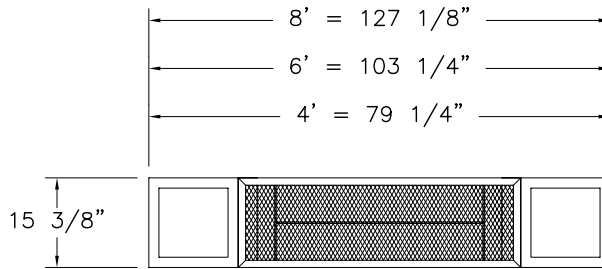


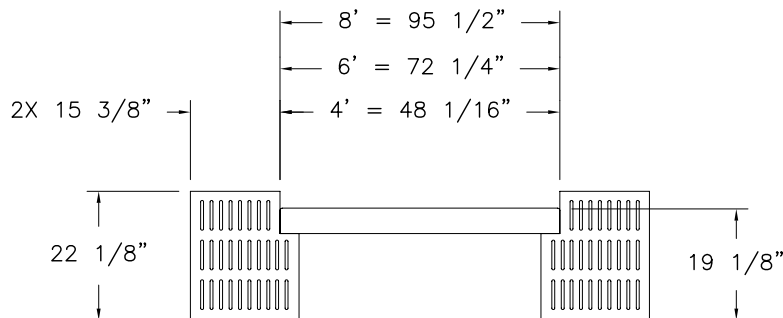
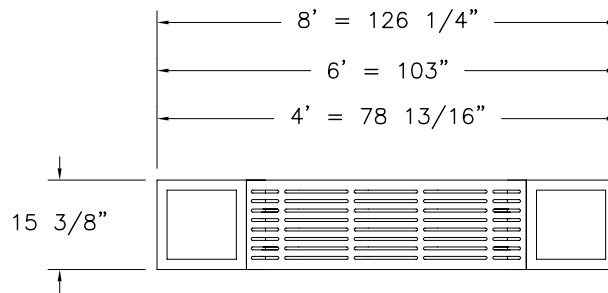
FIG. 2

installation: WARNING: The proper installation for Wabash Valley products may depend upon many factors unique to the site, location, or use of a particular product. Consult with your contractor or other professional to determine your specific installation requirements.

product dimensions:

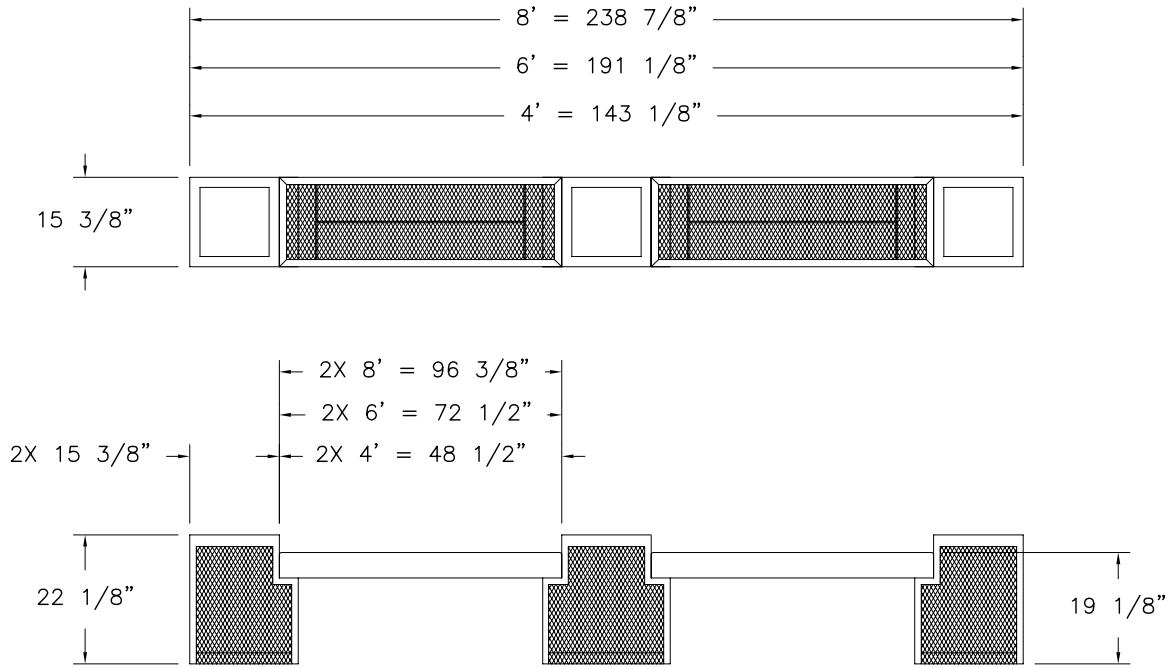


4', 6' AND 8' EXPANDED METAL SINGLE PLANTER BENCH

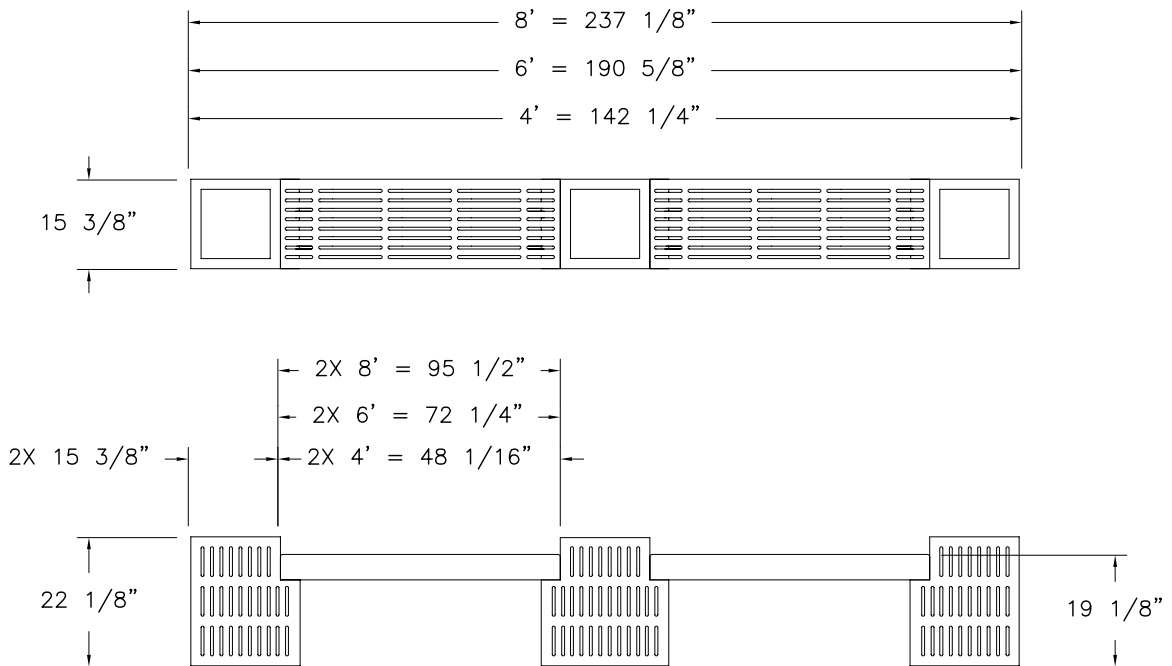


4', 6' AND 8' STEEL SLAT SINGLE PLANTER BENCH

assembly procedures cont:

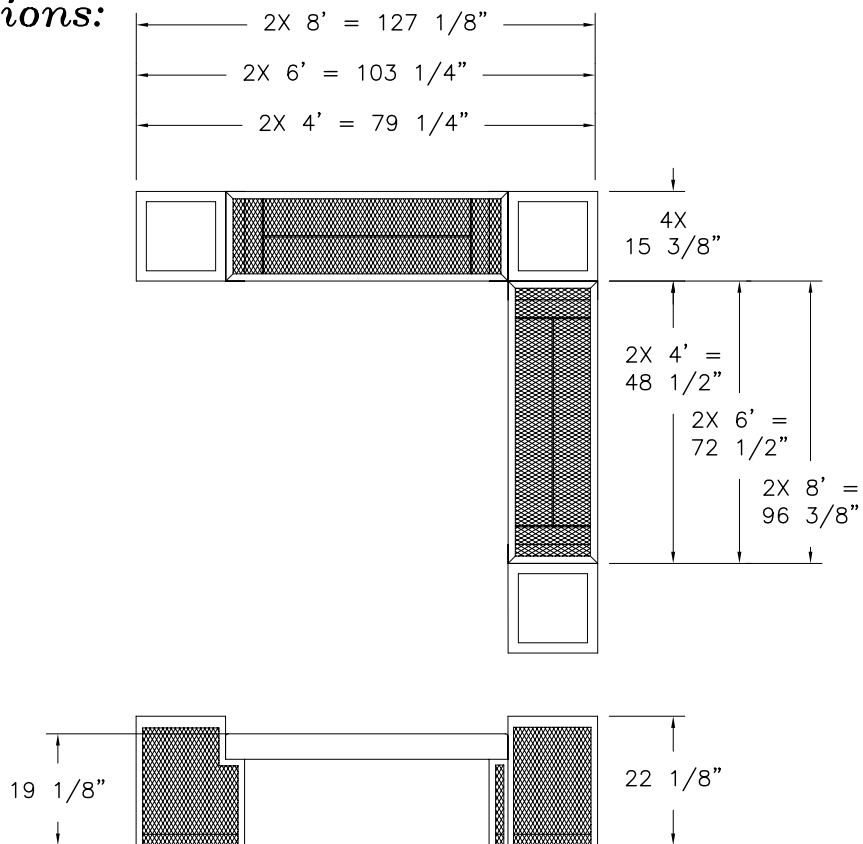


4', 6' AND 8' EXPANDED METAL DOUBLE PLANTER BENCH

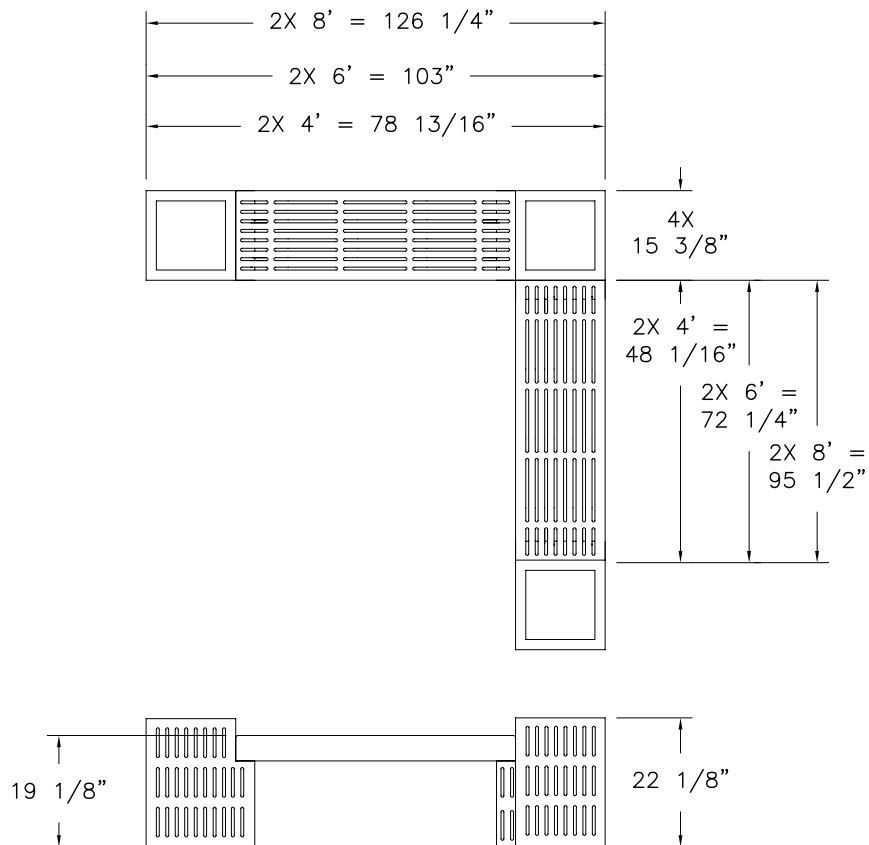


4', 6' AND 8' STEEL SLAT DOUBLE PLANTER BENCH

product dimensions:



4', 6' AND 8' EXPANDED METAL CORNER PLANTER BENCH



4', 6' AND 8' STEEL SLAT CORNER PLANTER BENCH