

model no:

AP102, AP104
AP202, AP204

CITY LIMITS SERIES

ARM PACKAGE W/ & W/O BACK
SET OF 2 OR 4

customer service:

ASSEMBLERS: If you find any parts missing or damaged, or if you're having difficulty assembling your furniture/equipment, call us at:

* Before calling, have your product model number available.

1-800-253-8619 (Inside U.S.A.)

260-352-2102 (Outside U.S.A.)

Monday thru Friday,
8:00 AM - 4:30 PM Eastern Time
(EXCEPT HOLIDAYS)

maintenance:

Regular inspection and maintenance of all parts, and fasteners is necessary. Tighten all bolts and nuts. Inspect Tops, Seats, Legs, Braces and Fasteners periodically for wear or vandalism. Replace broken or worn parts immediately or take equipment out of service until repairs are made. Use genuine Wabash Valley replacement parts.

To restore plastisol coating to its luster after prolonged use, wash/rinse/dry and use Armor-All ® or similiar quality vinyl protectant.

KEEP THIS ASSEMBLY/SPECIFICATION SHEET FOR FUTURE REFERENCE.

specifications:

NOTE: We reserve the right to change specifications without notice.

Heat fused poly-vinyl coating, finished on inner-metal structure, to an approximate 3/16" thickness. Framework assemblies are finished with powder coating; electrostatically applied and oven cured according to powder manufacturer's specifications. Fasteners are stainless steel to resist corrosion.

ARMS:

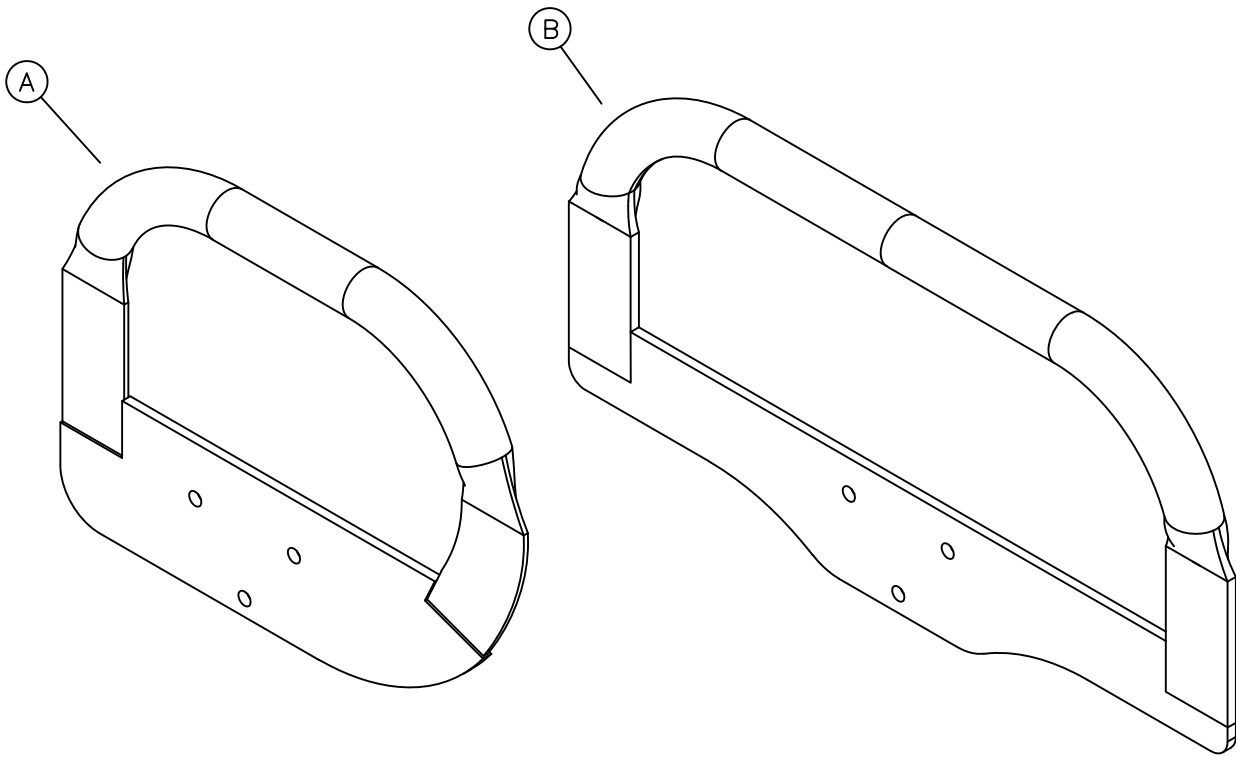
The arms are constructed of 16 gage x 1 1/4" diameter structural steel tubing. The mounting bracket for the with & w/o back arm is 1/4" plate steel.

GENERAL

Ground space requirements for with back are: 27 1/2" width and 24 13/16" to the top of the Arm.

Ground space requirements for without back are: 27 1/2" width and 24 5/16" to the top of the Arm.

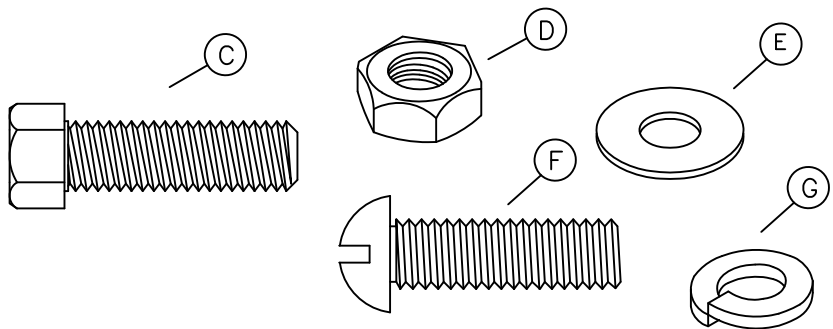
parts identification:



ITEM	PACKAGE#	DESCRIPTION	QTY
A	10373	Arm Package w/ back (set of 2)	1
A	10373	Arm Package w/ back (set of 4)	2
B	10452	Arm Package w/o back (set of 2)	1
B	10452	Arm Package w/o back (set of 4)	2

hardware identification:

NOTE: HARDWARE IS NOT INCLUDED IN ARM PACKAGE.
USE EXISTING HARDWARE PROVIDED IN LEG PACKAGE.



ITEMS INCLUDED IN PACKAGE NUMBER:

21031 OR 21089

ITEM	PART#	DESCRIPTION	QTY	QTY
C	17013	3/8-16 x 1 1/4" HEX HEAD BOLT - SS	12	0
D	17019	3/8-16 HEX FINISH NUT - SS	18	6
E	17028	3/8" FLAT WASHER - SS	36	12
F	17041	3/8-16 x 1 1/4" ROUND HEAD MS - SS	6	6
G	17200	3/8" SPLIT LOCK WASHER - SS	18	6

ASSEMBLY TOOLS REQUIRED

- 1- FLAT SCREW DRIVER
- 2 - 9/16" WRENCHES

assembly procedures: IMPORTANT: Assemblers should be reasonably skilled in the assembly of commercial grade/heavy duty fabricated steel equipment.

To ensure proper assembly, it is suggested that you take adequate time to locate and identify each part. To prevent scratching of the finished pieces, we recommend this unit to be assembled on a clean, flat, solid, surface with a drop cloth, allowing plenty of working room. Also please read the instructions and study the sketches very carefully. A little extra time spent before assembly will be well worth it in performing a complete, proper assembly. Please note that all parts have been pre-cut and pre-drilled.

During the assembly process leave all bolts and nuts "finger tight", until the entire unit is completely assembled. This allows room for movement to level or adjust all seats, tops, benches, framework and braces if necessary. After final adjustment and leveling, permanently tighten all nuts, bolts and fasteners.

7L

Once the City Limits seats are installed, whether a surface mount leg, inground leg, or a one or three seat unit, the following instructions will apply on a with/back or with/out back arm.

STEP 1

The arms attach to the outside vertical edge of the seat. The three bolts and/or screws that secure the seat to the leg must be removed prior to installing the arm.

STEP 2

Hold the arm in position and using the removed hardware install arm aligning the holes to match with seat holes.

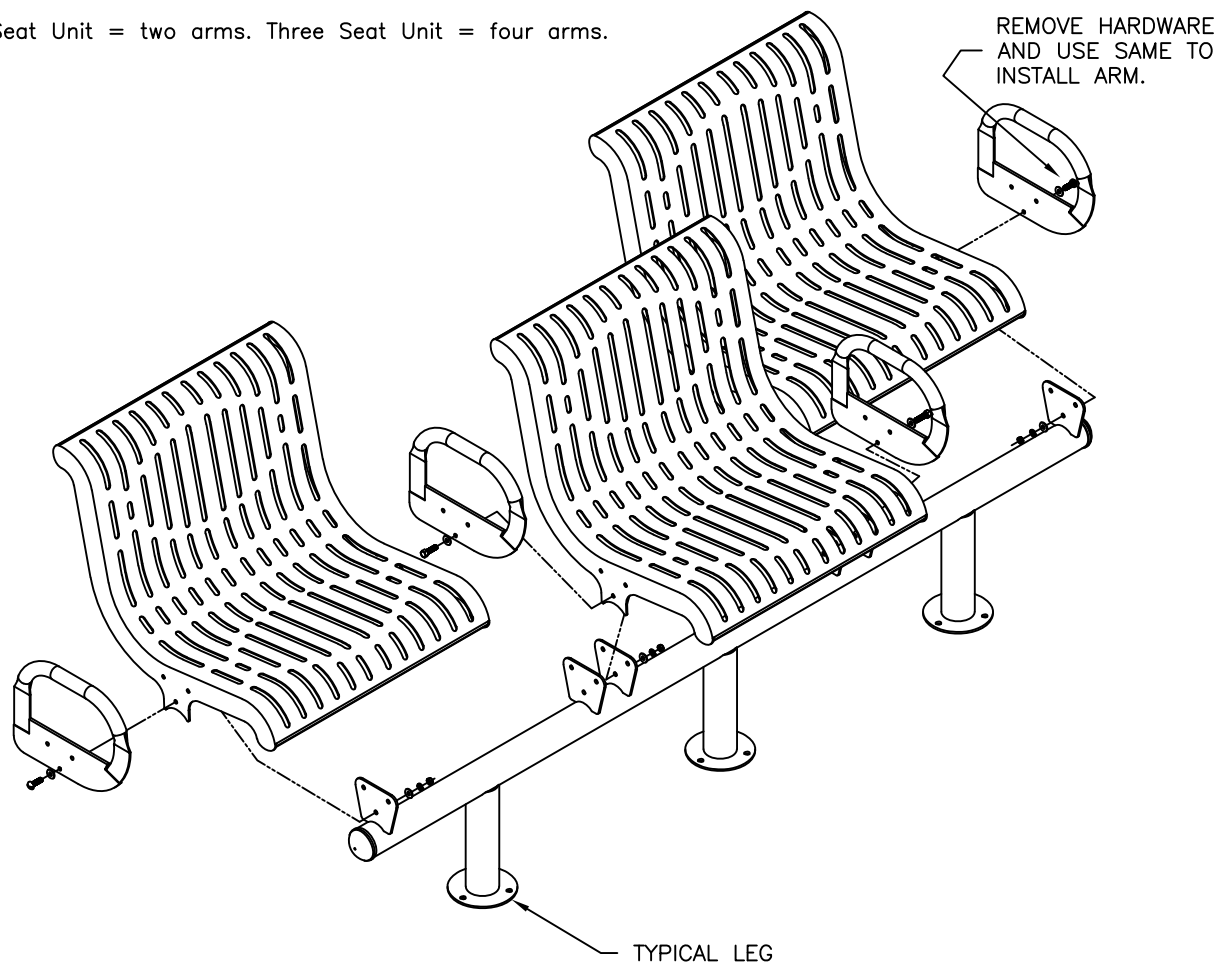
STEP 3

Finish installation by tightening all bolts/screws.

STEP 4

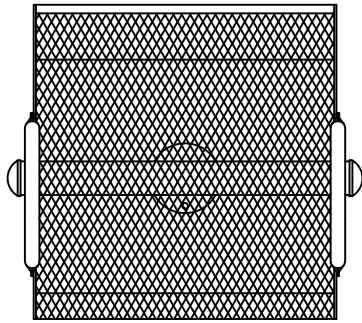
Repeat STEP 1, 2, & 3 for all arms to be installed.

NOTE: Single Seat Unit = two arms. Three Seat Unit = four arms.

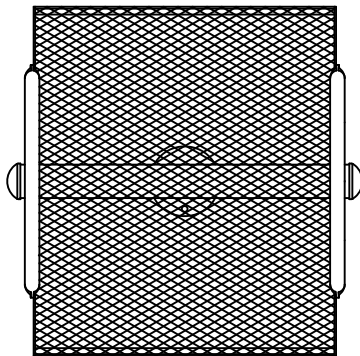
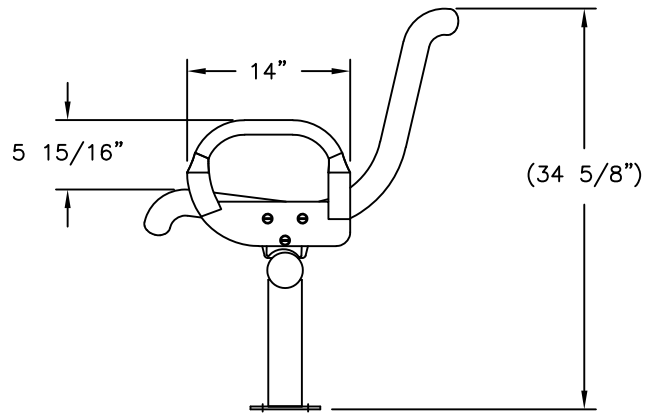
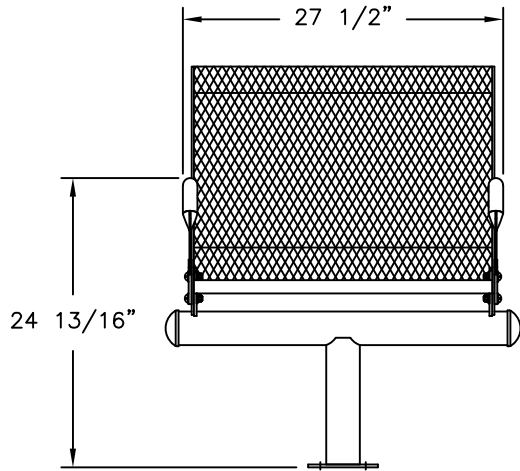


installation: WARNING: The proper installation for Wabash Valley products may depend upon many factors unique to the site, location, or use of a particular product. Consult with your contractor or other professional to determine your specific installation requirements.

product dimensions:



WITH BACK



WITHOUT BACK

