

model no:

CL400D, CL400P, CL400R, CL401D, CL401P, CL401R,
CL406D, CL406P, CL406R, CL407D, CL407P, CL407R,
CL410D, CL410P, CL410R, CL411D, CL411P, CL411R,
CL416D, CL416P, CL416R, CL417D, CL417P, CL417R,
CL500D, CL500P, CL500R, CL501D, CL501P, CL501R,
CL506D, CL506P, CL506R, CL507D, CL507P, CL507R

CITY LIMITS SERIES

1 & 3 SEAT 15° CONCAVE/CONVEX, (W & W/O BACK)
EXPANDED METAL, RIB & PERFORATED
SURFACE MOUNT & INGROUND

customer service:

ASSEMBLERS: If you find any parts missing or damaged, or if you're having difficulty assembling your furniture/equipment, call us at:

* Before calling, have your product model number available.

1-800-253-8619 (Inside U.S.A.)

260-352-2102 (Outside U.S.A.)

Monday thru Friday,
8:00 AM - 4:30 PM Eastern Time
(EXCEPT HOLIDAYS)

maintenance:

Regular inspection and maintenance of all parts, and fasteners is necessary. Tighten all bolts and nuts. Inspect Tops, Seats, Legs, Braces and Fasteners periodically for wear or vandalism. Replace broken or worn parts immediately or take equipment out of service until repairs are made. Use genuine Wabash Valley replacement parts.

To restore plastisol coating to its luster after prolonged use, wash/rinse/dry and use Armor-All ® or similiar quality vinyl protectant.

KEEP THIS ASSEMBLY/SPECIFICATION SHEET FOR FUTURE REFERENCE.

specifications:

NOTE: We reserve the right to change specifications without notice.

Heat fused poly-vinyl coating, finished on inner-metal structure, to an approximate 3/16" thickness. Framework assemblies are finished with powder coating; electrostatically applied and oven cured according to powder manufacturer's specifications. Fasteners are stainless steel to resist corrosion.

BENCH FRAME:

Leg assembly is constructed of 2 7/8" od x 9 gage structural steel tubing. The insert tube, used to adapt the inground legs, and welded to the underside of the leg assembly, is 2 7/8" od x 12 gage structural steel tubing. Mounting brackets are 7 gage sheet steel. Surface mount, welded to frame, and inground leg adapters use 2 7/8" od x 9 gage structural steel tubing for its main support.

SEATS:

Expanded metal seat uses fabricated 3/4" #9 expanded steel mesh. Framing consist of 10 gage sheet steel. Support brace, for the ends of the formed expanded steel mesh, is a 1/2" diameter rod for the seat without back and die-formed 14 gage sheet steel for the seat with back. Rib seats are made of 10 gage sheet steel and perforated seats are made of 12 gage sheet metal. Framing is the same as for the expanded metal seats.

GENERAL:

Ground space requirements:

1 Seat 15' concave/convex bench without back is 22 1/2" x 30 1/4" and 18" to the top of the seat.

1 Seat 15' concave bench with back is 23 1/2" x 27 3/16" and 17 7/8" to the top of the seat.

1 Seat 15' convex bench with back is 22 5/8" x 27 1/4" and 17 7/8" to the top of the seat.

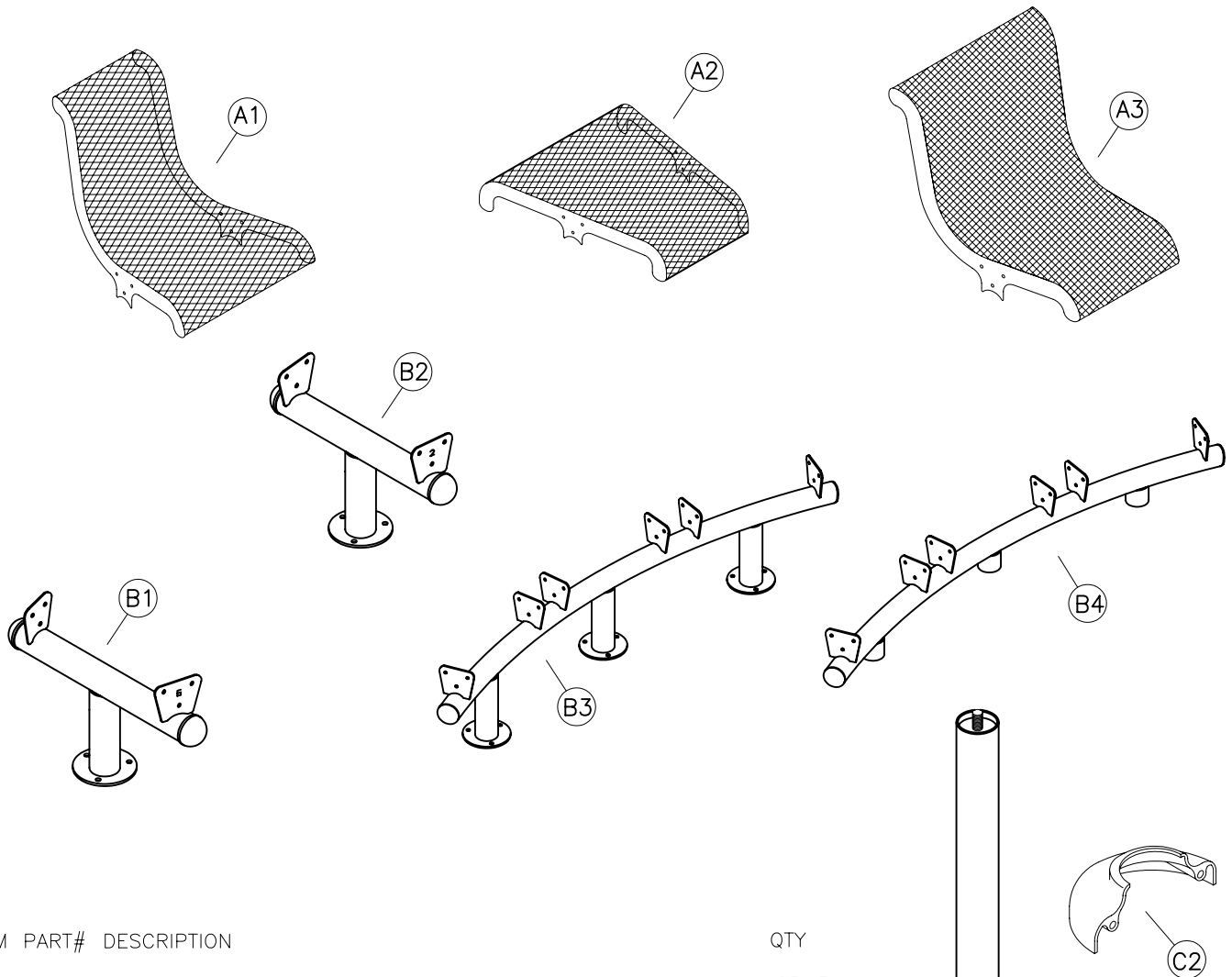
3 Seat 15' concave/convex bench without back is 75 5/16" x 34 11/16" and 18 1/2" to the top of the seat.

3 Seat 15' concave bench with back is 76 1/16" x 32 1/16", 18 1/2" to the seat and 35 1/4" to the top of the back of the seat.

3 Seat 15' convex bench with back is 73 3/4" x 31 13/16", 18 1/2" to the top of the seat and 35 1/4" to the top of the back of the seat.

SPECIFACIONS CONTINUED ON PAGE 2A

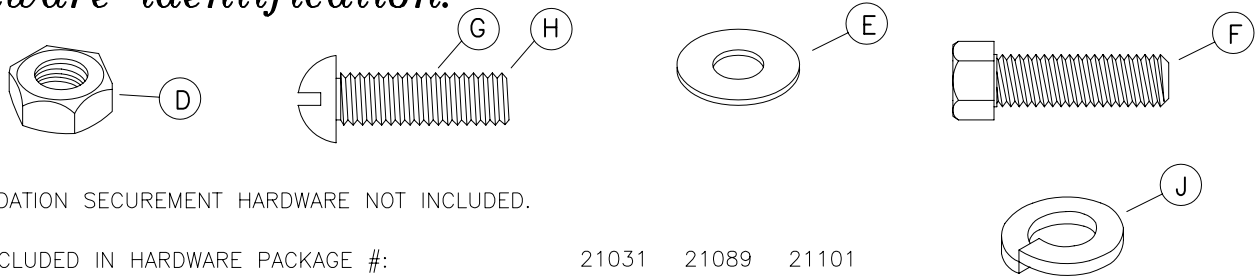
parts identification:



ITEM	PART#	DESCRIPTION	QTY
A1	7680	15° CONVEX EXPANDED METAL SEAT	1 OR 3
A2	7684	15° CONVEX/CONCAVE LOWPRO EXPANDED METAL SEAT	1 OR 3
A3	7681	15° CONCAVE EXPANDED METAL SEAT	1 OR 3
B1	7266	1 SEAT 30° LOW PROFILE SURFACE MOUNT LEG ASSEMBLY	1
B2	7262	1 SEAT 15° SURFACE MOUNT LEG ASSEMBLY	1
B3	7282	15° CONVEX/CONCAVE SURFACE MOUNT LEG ASSEMBLY	1
B4	7283	15° CONVEX/CONCAVE INGROUND LEG ASSEMBLY	1
C1	7219	INGROUND LEG TUBE	3
C2	7121	MOUNTING PLATE COVERS (OPTIONAL)	1 OR 3

CONTINUED ON PAGE 2a

hardware identification:



* FOUNDATION SECUREMENT HARDWARE NOT INCLUDED.

ITEMS INCLUDED IN HARDWARE PACKAGE #:		21031	21089	21101
ITEM	PART# DESCRIPTION	QTY	QTY	QTY
D	17019 3/8-16 HEX NUT - SS	18	6	0
E	17028 3/8" FLAT WASHER - SS	36	12	0
F	17013 3/8-16 x 1 1/4" HEX HEAD BOLT - SS	12	0	0
G	17041 3/8-16 x 1 1/4" MACHINE SCREW - SS	6	6	0
H	17052 1/4-20 x 1" MACHINE SCREW - SS	0	0	2
J	17200 3/8" SPLIT LOCK WASHER - SS	18	6	0

ASSEMBLY TOOLS REQUIRED

- 1 - 3' OR 6' LEVEL
- 2 - 9/16" WRENCHES
- 1 - REGULAR TIP SCREWDRIVER

assembly procedures: IMPORTANT: Assemblers should be reasonably skilled in the assembly of commercial grade/heavy duty fabricated steel equipment.

To ensure proper assembly, it is suggested that you take adequate time to locate and identify each part. To prevent scratching of the finished pieces, we recommend this unit to be assembled on a clean, flat, solid, surface with a drop cloth, allowing plenty of working room. Also please read the instructions and study the sketches very carefully. A little extra time spent before assembly will be well worth it in performing a complete, proper assembly. Please note that all parts have been pre-cut and pre-drilled.

During the assembly process leave all bolts and nuts "finger tight", until the entire unit is completely assembled. This allows room for movement to level or adjust all seats, tops, benches, framework and braces if necessary. After final adjustment and leveling, permanently tighten all nuts, bolts and fasteners.

76

STEP 1 For single seat models go to STEP 2.

STEP 1 For 3 seat inground models.

Invert the (B13, B14, B15) leg assembly so it's upside down on a flat surface. Screw a (C1) leg adapter to the tube extending out away from the under side of the leg assembly see FIG. 1. Draw the leg adapter to a tight fit, not just hand tight.

Repeat Step 1 to attach the remaining leg(s).

STEP 2 For surface mount model.

The surface mount model is best preferred to be installed when existing concrete is the case. If new concrete is to be installed, we suggest that the new concrete be poured and cured, then install the surface mount model afterwards.

Place the surface mount model in its chosen location. Use some form of a marking instrument to trace the hole pattern in each of the surface mount legs. This will allow you a more precise installation when securing the bench.

Drill and place the bench's foundation securement hardware. When the foundation securement hardware has been installed, place the unit in its new location and secure to the foundation.

STEP 2 For inground model.

Place the inground leg assembly, with its attached inground legs, in the units chosen location(s). Stand the leg assembly so each end of the inground leg is touching the ground. Mark a 12" diameter hole around each end of the legs as shown in FIG. 2. Remove the leg assembly and prepare one or three foundation hole(s) as shown on page 4.

Block the leg assembly similar to what is shown in FIG. 3.

Before pouring concrete, make sure the leg assembly holds 17" to the top of the leg assembly's seat mounting brackets and is level horizontally as well as vertically.

Pour concrete and let cure for 48 hours.

STEP 3 For all models

Place each (A-) seat over each end of the leg assembly's seat mounting brackets, refer to FIG. 4. Please take note to FIG. 5, showing which hardware is required to be used when installing the seats to the leg assembly's seat mounting brackets. Use two flat washers and one lock washer per each bolt. Draw the fasteners to a snug fit.

Level the seats if necessary and tighten all fasteners with wrenches and/or screwdriver.

If mounting plate covers (C2) are used, place halves around legs and secure with 2 (H) screws, see FIG. 6. Draw to a snug fit being careful not to over tighten.

FIG. 1

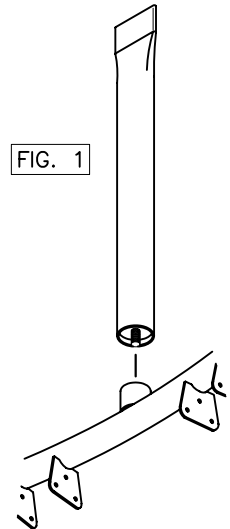


FIG. 2

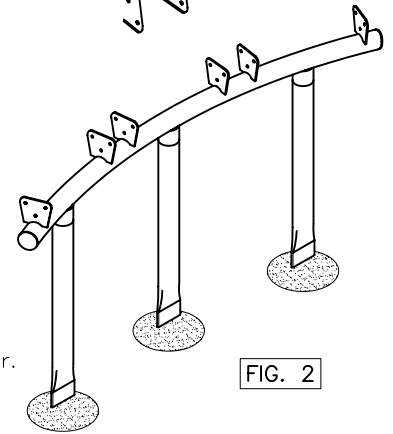


FIG. 5

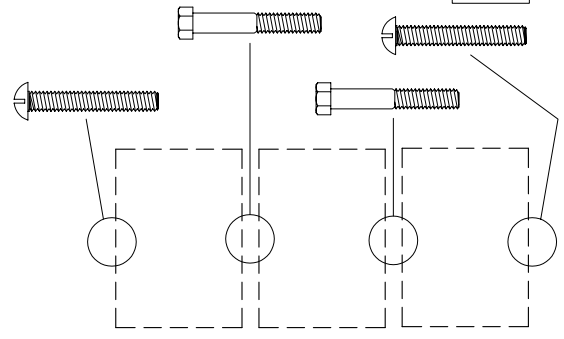


FIG. 3

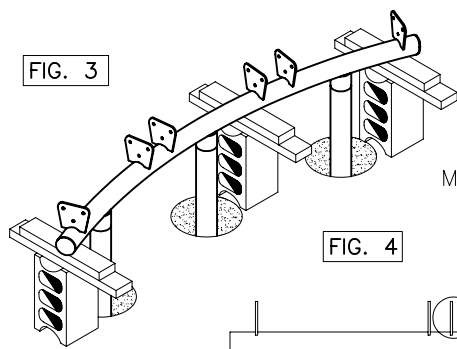
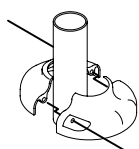


FIG. 4

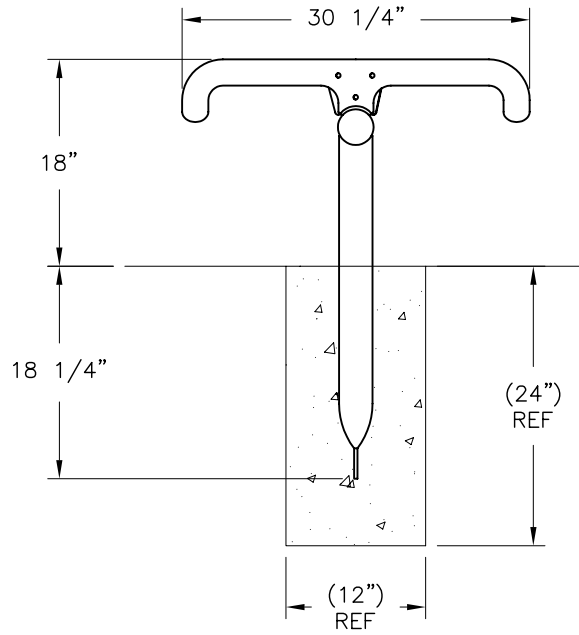
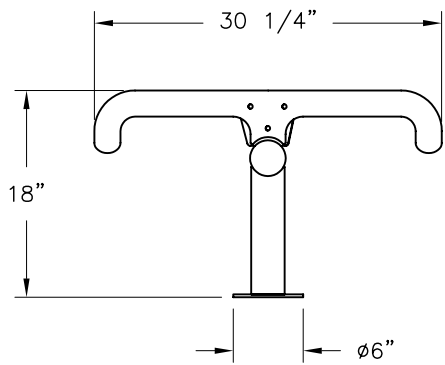
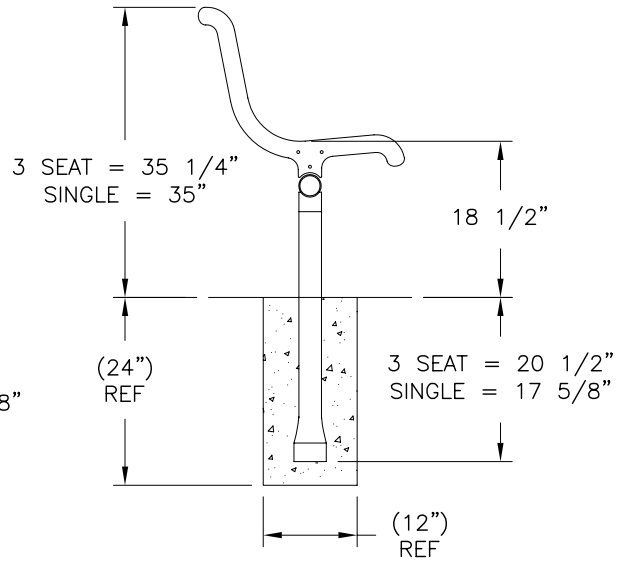
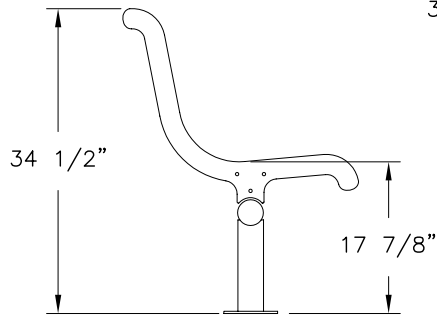
MIDDLE SEAT MOUNTING BRACKETS

FIG. 6

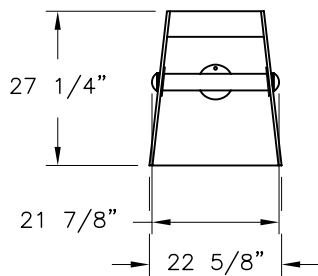


installation: WARNING: The proper installation for Wabash Valley products may depend upon many factors unique to the site, location, or use of a particular product. Consult with your contractor or other professional to determine your specific installation requirements.

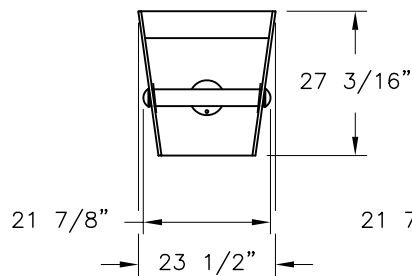
product dimensions:



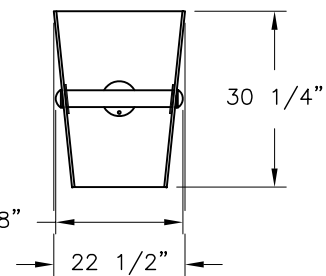
15° CONVEX W/BACK



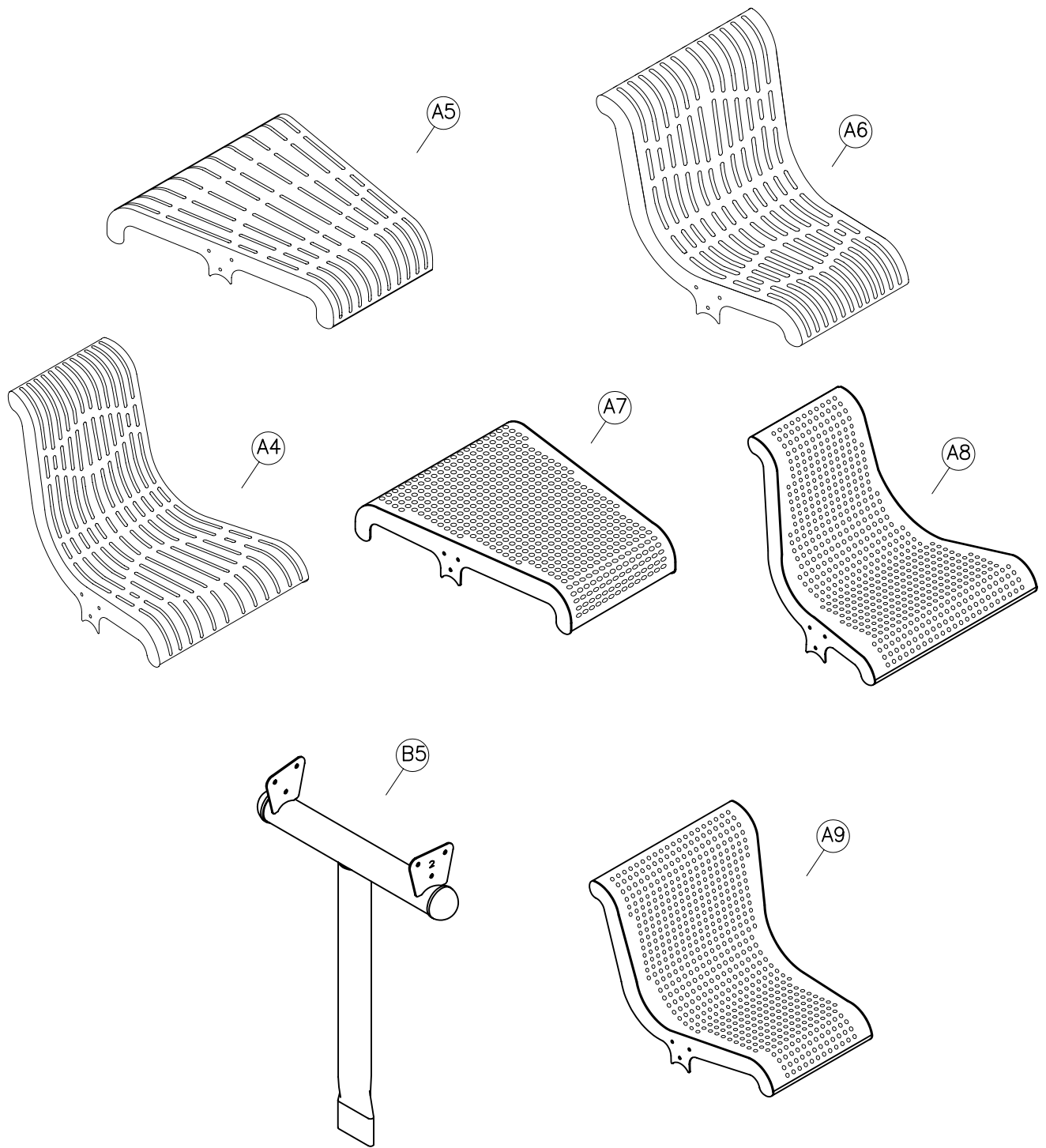
15° CONCAVE W/BACK



15° LOW PROFILE



parts identification, cont'd:



ITEM	PART #	DESCRIPTION	QTY
A4	7927	15° CONVEX RIB SEAT	1 OR 3
A5	7928	15° CONVEX/CONCAVE RIB LOWPRO SEAT	1 OR 3
A6	7926	15° CONCAVE RIB SEAT	1 OR 3
A7	8028	15° CONVEX/CONCAVE PERFORATED LOWPRO SEAT	1 OR 3
A8	8024	15° CONVEX PERFORATED SEAT	1 OR 3
A9	8025	15° CONCAVE PERFORATED SEAT	1 OR 3
B5	7263	15° SINGLE SEAT INGROUND LEG ASSEMBLY	1

product dimensions, cont'd:

