

model no:

CM225L, CM225Q

CAMINO SERIES

42" ROUND BAR TABLES WITH SEATS
SOLID & SQUARE PERFORATED

customer service:

ASSEMBLERS: If you find any parts missing or damaged, or if you're having difficulty assembling your furniture/equipment, call us at:

* Before calling, have your product model number available.

1-800-253-8619 (Inside U.S.A.)

260-352-2102 (Outside U.S.A.)

Monday thru Friday,

8:00 AM - 4:30 PM Eastern Time

(EXCEPT HOLIDAYS)

maintenance:

Regular inspection and maintenance of all parts, and fasteners is necessary. Tighten all bolts and nuts. Inspect Tops, Seats, Legs, Braces and Fasteners periodically for wear or vandalism. Replace broken or worn parts immediately or take equipment out of service until repairs are made. Use genuine Wabash Valley replacement parts.

To restore plastisol coating to its luster after prolonged use, wash/rinse/dry and use Armor-All ® or similar quality vinyl protectant.

KEEP THIS ASSEMBLY/SPECIFICATION SHEET FOR FUTURE REFERENCE.

specifications:

NOTE: We reserve the right to change specifications without notice.

Heat fused poly-vinyl coating, finished on inner-metal structure, to an approximate 3/16" thickness. Framework assemblies are finished with powder coating; electrostatically applied and oven cured according to powder manufacturer's specifications. Fasteners are stainless steel to resist corrosion.

TOPS, SEATS, AND STEP:

The tops, seats and steps use 12 gage sheet steel for the square perforated pattern. Solid tops are aluminum. Both tops and steps use 1/4" flat bar for mounting brackets. The tops have a 12 gage x 2" od tube for the umbrella collar. The seat mounting brackets and sides are from 10 gage sheet metal. The step is 12 gage sheet steel with mounting brackets of 1/4" flat bar.

ATTACHED CROSS AND CENTER BRACE:

The Attached Cross and Center Brace consists of aluminum cast.

LEGS:

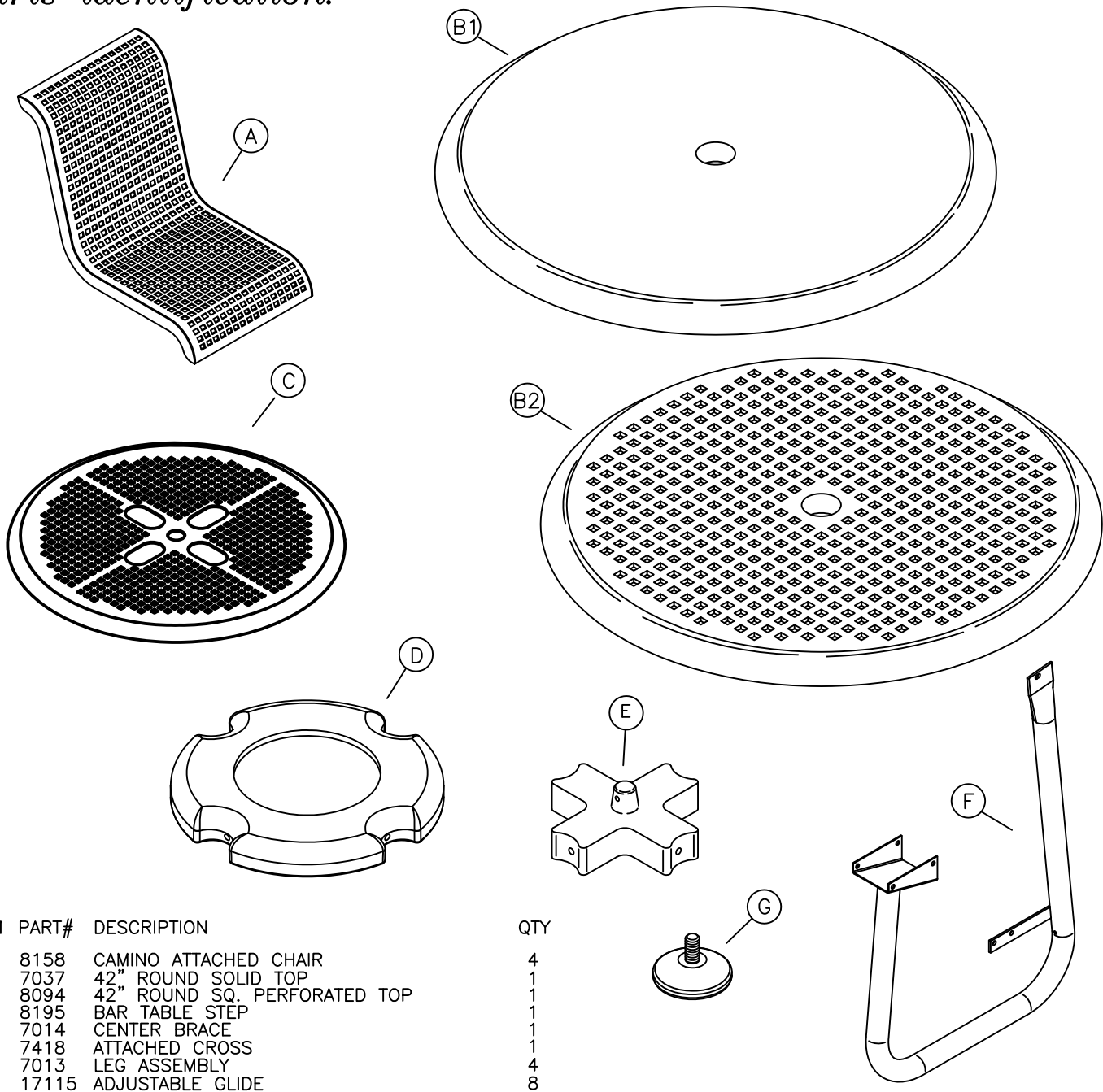
The legs are constructed of 12 gage x 2 3/8 od galvanized structural steel tubing. The mounting plate is 10 gage sheet steel.

GENERAL

Ground space requirements are 94 5/8" x 94 5/8" and 44 1/2" to the top of the table.

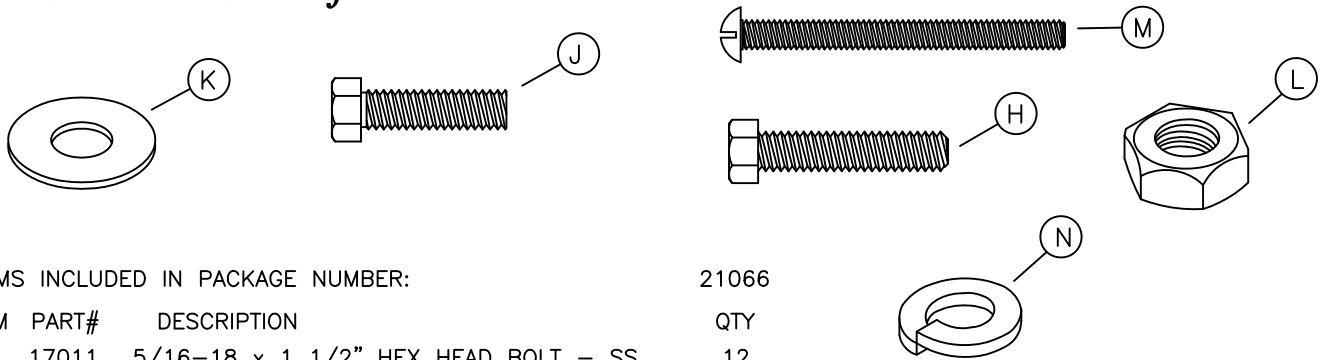
NOTE: When Umbrellas are used on Tables, the Umbrellas must be secured.
Wabash Valley Umbrellas include an Umbrella Collar for securing.

parts identification:



ITEM	PART#	DESCRIPTION	QTY
A	8158	CAMINO ATTACHED CHAIR	4
B1	7037	42" ROUND SOLID TOP	1
B2	8094	42" ROUND SQ. PERFORATED TOP	1
C	8195	BAR TABLE STEP	1
D	7014	CENTER BRACE	1
E	7418	ATTACHED CROSS	1
F	7013	LEG ASSEMBLY	4
G	17115	ADJUSTABLE GLIDE	8

hardware identification:



ITEMS INCLUDED IN PACKAGE NUMBER:			21066
ITEM	PART#	DESCRIPTION	QTY
H	17011	5/16-18 x 1 1/2" HEX HEAD BOLT - SS	12
J	17094	5/16-18 x 1" HEX HEAD BOLT - SS	16
K	17028	3/8" FLAT WASHER - SS	72
L	17032	5/16-18 HEX FINISH NUT - SS	36
M	17026	5/16-18 x 3 1/2" MACHINE SCREW - SS	8
N	17050	5/16" SPLIT LOCK WASHER - SS	36

ASSEMBLY TOOLS REQUIRED
 1 - FLAT SCREW DRIVER
 2 - 1/2" WRENCHES
 1 - 3' OR 6' LEVEL

assembly procedures:

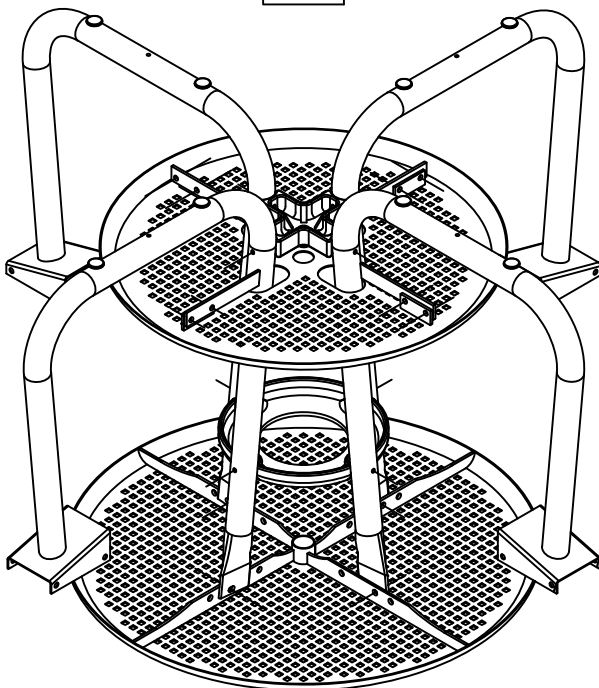
IMPORTANT: Assemblers should be reasonably skilled in the assembly of commercial grade/heavy duty fabricated steel equipment.

To ensure proper assembly, it is suggested that you take adequate time to locate and identify each part. To prevent scratching of the finished pieces, we recommend this unit to be assembled on a clean, flat, solid, surface with a drop cloth, allowing plenty of working room. Also please read the instructions and study the sketches very carefully. A little extra time spent before assembly will be well worth it in performing a complete, proper assembly. Please note that all parts have been precut and pre-drilled.

During the assembly process leave all bolts and nuts "finger tight", until the entire unit is completely assembled. This allows room for movement to level or adjust all seats, tops, benches, framework and braces if necessary. After final adjustment and leveling, permanently tighten all nuts, bolts and fasteners.

7L

FIG. 1



STEP 1: Invert top (B-) with Step (C) laying on top of (B-). Attach legs (F) to the center mounting bracket using one (H), (L), (N) and two (K) per (H). NOTE: Be sure to insert legs through slot in Step (C) before bolting legs to top. See Fig. 1.

STEP 2: Attach the Attached Cross (E) to the legs (F), using one (M), (L), (N) and two (K) per (M). Raise the step (C) and attach to brackets on each leg, using two (H), two (L), (K) and one (N) per each (H). See Fig. 1.

STEP 3: Attach the center brace (D) to each leg (F), using one (M), two (K), one (L) and (N) per each (M). See FIG. 1.

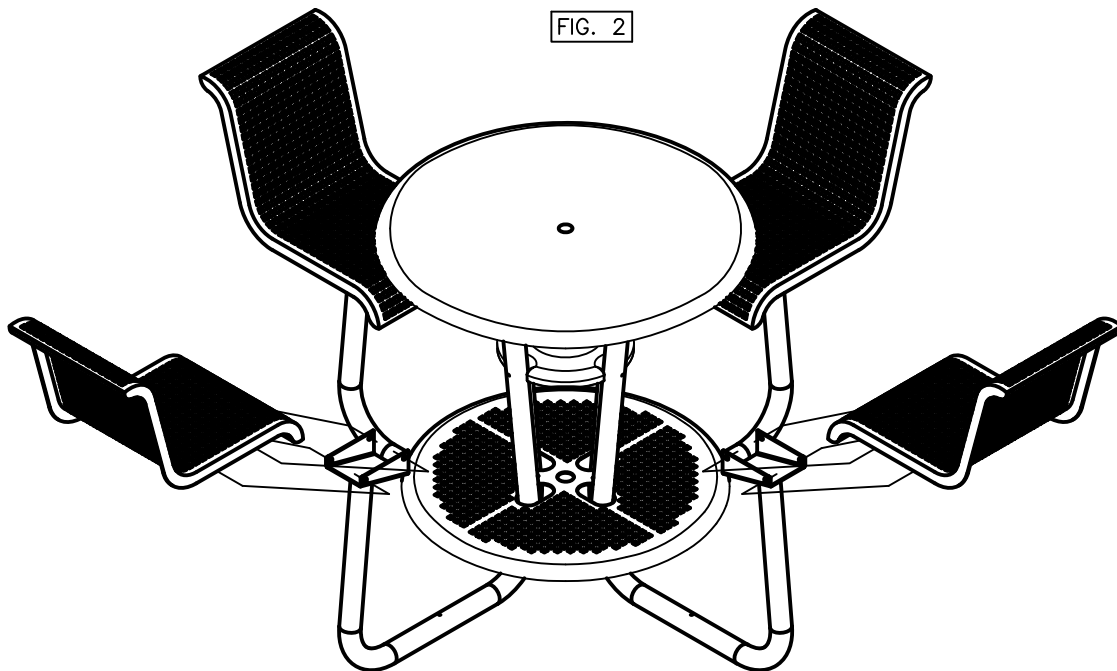
STEP 4: Be sure all adjustable glides (G) are threaded completely into threaded insert in legs. See FIG. 1.

STEP 5: Rotate table to right side up position.

STEP 6: Level table and tighten with proper tools.

STEP 7: Attach chairs (A) to legs (F) using one (J), (L), (N) and two (K) per (J), per each hole. See FIG. 2. Tighten with proper tools.

FIG. 2



installation:

WARNING: The proper installation for Wabash Valley products may depend upon many factors unique to the site, location, or use of a particular product. Consult with your contractor or other professional to determine your specific installation requirements.

product dimensions:

