

model no:

AT100D, AT100P, AT100R, AT101D,
AT101R, AT101P, AU100P, AU100D,
AU100R, AU101D, AU101P, AU101R,
AU105N, LR360D, LR365D,

ASH & ASH/TRASH URNS
ASH URNS & ASH/TRASH FLARES, GOLF RECEPTACLE,
10 GAL. POLE MOUNT, ASH URN & ASH/TRASH
EXPANDED METAL, RIB, & PERFORATED

customer service:

ASSEMBLERS: If you find any parts missing or damaged, or if you're having difficulty assembling your furniture/equipment, call us at:

* Before calling, have your product model number available.

1-800-253-8619 (Inside U.S.A.)

260-352-2102 (Outside U.S.A.)

Monday thru Friday,
8:00 AM - 4:30 PM Eastern Time
(EXCEPT HOLIDAYS)

maintenance:

Regular inspection and maintenance of all parts, and fasteners is necessary. Tighten all bolts and nuts. Inspect Tops, Seats, Legs, Braces and Fasteners periodically for wear or vandalism. Replace broken or worn parts immediately or take equipment out of service until repairs are made. Use genuine Wabash Valley replacement parts.

To restore plastisol coating to its luster after prolonged use, wash/rinse/dry and use Armor-All ® or similiar quality vinyl protectant.

KEEP THIS ASSEMBLY/SPECIFICATION SHEET FOR FUTURE REFERENCE.

specifications:

NOTE: We reserve the right to change specifications without notice.

Heat fused poly-vinyl coating, finished on inner-metal structure, to an approximate 3/16" thickness.

Framework assemblies are finished with powder coating; electrostatically applied and oven cured according to powder manufacturer's specifications. Fasteners are stainless steel to resist corrosion.

POLE MOUNT RECEPTACLES:

LR360D receptacle uses 3/4" #9 expanded steel mesh. The expanded metal is machine rolled to a 12" outside diameter before plastisol coating. The top of the receptacles use a 1/8" x 1 1/2" strip steel at the top and 10 gage x 1 3/4" wide strip at the bottom to add support the mounting bracket is die formed 10 gage sheet steel.

ASH URNS & ASH AND TRASH:

Expanded metal is 3/4" #9 expanded steel mesh. Rib is 14 gage and perforated is 12 gage sheet steel. All types of fabricated metal are machine rolled to a 9 1/2" outside diameter before plastisol coating. Expanded metal uses a 1/4" diameter rod joining the ends of the panels, to form the seam of their diameter. The top and bottom of the ash urns use a machine rolled 1/2" rod to add support to the top and bottom. Mounting plates are die formed 14 gage sheet metal. A 5 7/8" ring cut from 14 gage steel is added to frame the opening on the ash and trash models.

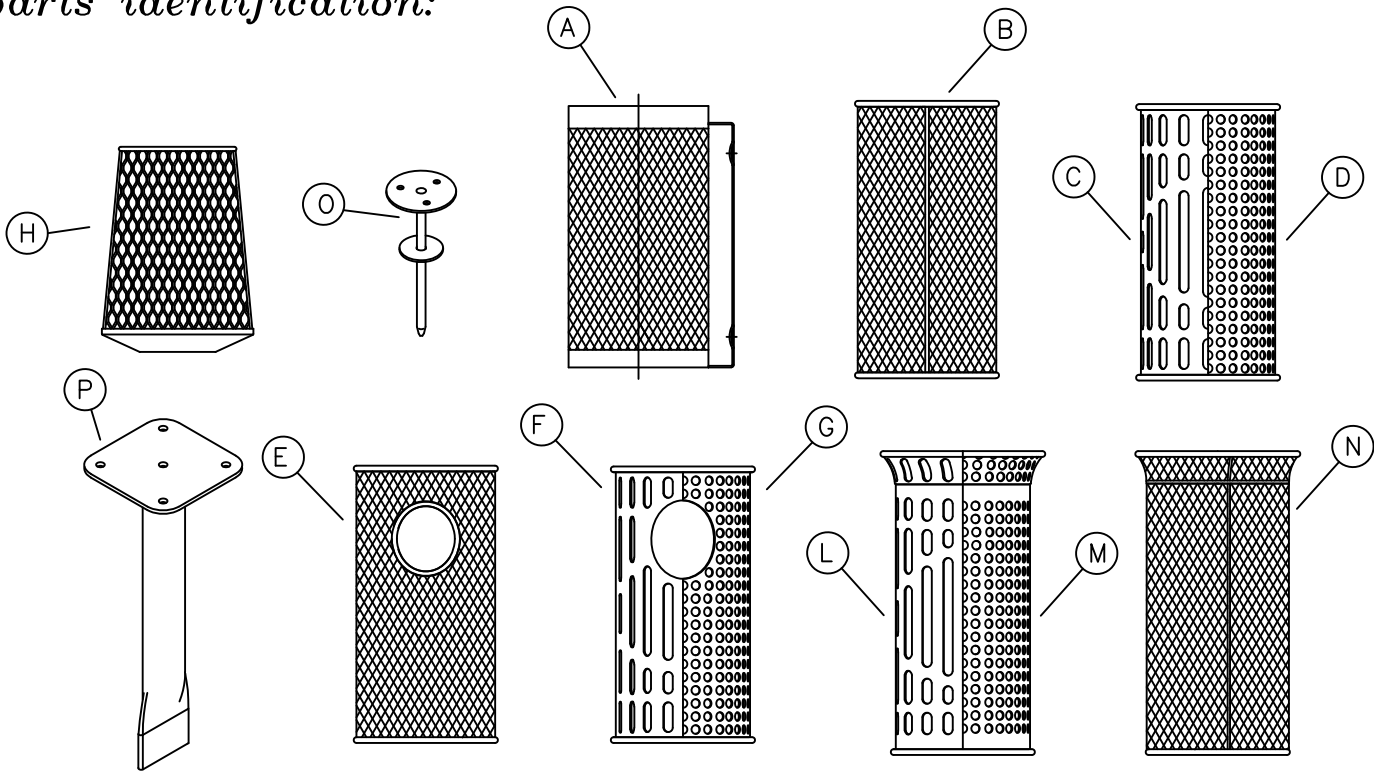
POST PACKAGES:

Model number AU105N consist of 2 3/8" od x 12 gage galvanized structural steel tubing. All post packages use 14 gage sheet steel for the mounting plate and gussets to add support. The surface mount leg uses 1/4" plate steel for its surface mount plate.

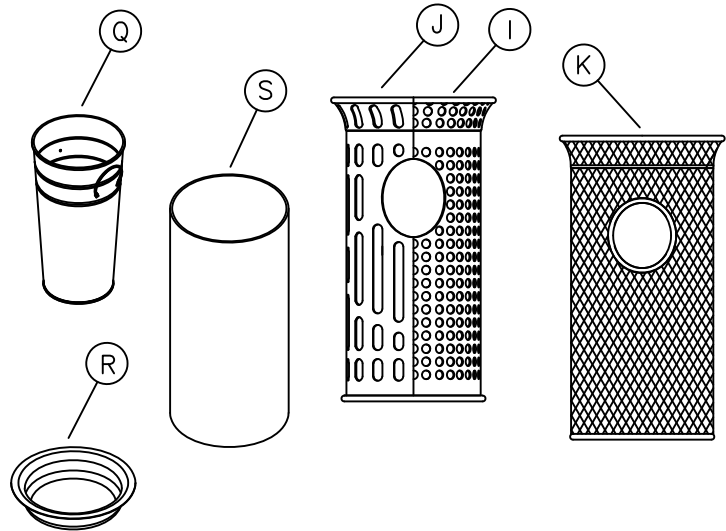
GOLF COURSE RECEPTACLES:

LR365D uses 3/4" # 9 expanded metal mesh. The can uses 1/4" steel rod joining the ends of the fabricated metal. It is machine rolled to 13 1/4" diameter at the bottom and 10 1/4" at the top. A 3/8" rod is rolled to 10 1/4" outside diameter and attached to the top. The bottom is 16 gage. A 1/2" rod spike bolts to the bottom to push into the ground to hold the can upright.

parts identification:

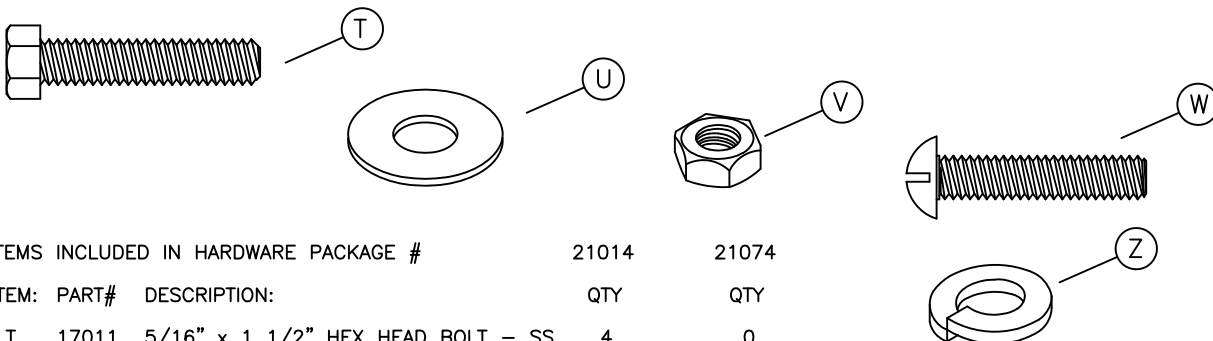


ITEM	PART#	DESCRIPTION	QTY
A	7900	EXPANDED METAL POLE MOUNT CAN	1
B	9565	EXPANDED METAL ASH URN	1
C	9567	RIB ASH URN	1
D	9568	PERFORATED ASH URN	1
E	9573	EXPANDED METAL ASH/TRASH	1
F	9574	RIB ASH/TRASH	1
G	9575	PERFORATED ASH/TRASH	1
H	7915	EXPANDED METAL GOLF CAN	1
I	9578	PERFORATED FLARE ASH/TRASH	1
J	9577	RIB FLARE ASH/TRASH	1
K	9576	EXPANDED METAL FLARE ASH/TRASH	1
L	9571	RIB FLARE ASH URN	1
M	9572	PERFORATED FLARE ASH URN	1
N	9569	EXPANDED METAL FLARE ASH URN	1
O	7240	GOLF CAN SPIKE	1
P	7359A	INGROUND POST	1
Q	19062	ASH/TRASH PAIL	1
R	19064	ASH TRAY	1
S	RPL10	POLE MOUNT LINER	1



hardware identification:

INCLUDED WITH POLE MOUNT TRASH CAN ONLY: RPL10 (APPROX. 7 GAL)
 INCLUDED WITH ALL ASH/TRASH URNS: 19062 (APPROX. 2 GAL) & 19064
 INCLUDED WITH ALL ASH URNS: 19064



ITEMS INCLUDED IN HARDWARE PACKAGE #		21014	21074
ITEM:	PART# DESCRIPTION:	QTY	QTY
T	17011 5/16" x 1 1/2" HEX HEAD BOLT - SS	4	0
U	17028 3/8" FLAT WASHER - SS	8	6
V	17032 5/16" HEX FINISH NUT - SS	4	3
W	17025 5/16 x 1 1/2" MACHINE SCREW - SS	0	3
Z	17050 5/16" SPLIT LOCK WASHER - SS	4	3

ASSEMBLY TOOLS REQUIRED

- 2 - 1/2" WRENCHES
- 1 - 3' OR 6' LEVEL

assembly procedures:

IMPORTANT: Assemblers should be reasonably skilled in the assembly of commercial grade/heavy duty fabricated steel equipment.

To ensure proper assembly, it is suggested that you take adequate time to locate and identify each part. To prevent scratching of the finished pieces, we recommend this unit to be assembled on a clean, flat, solid, surface with a drop cloth, allowing plenty of working room. Also please read the instructions and study the sketches very carefully. A little extra time spent before assembly will be well worth it in performing a complete, proper assembly. Please note that all parts have been precut and pre-drilled.

During the assembly process leave all bolts and nuts "finger tight", until the entire unit is completely assembled. This allows room for movement to level or adjust all seats, tops, benches, framework and braces if necessary. After final adjustment and leveling, permanently tighten all nuts, bolts and fasteners.

76

LEG ATTACHMENT - ASH URN & ASH/TRASH:

Attach inground leg to bottom of ash urn or ash/trash units with four (T) and (V) using two (U) and one (Z) per (V), similar to FIG. 1. Place in hole, see page 4 for hole dimensions. Level vertically, and block. Fill hole with concrete and let stand 48 hours.

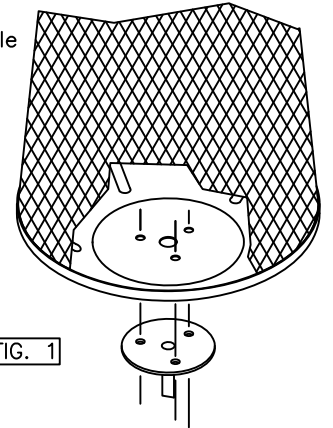
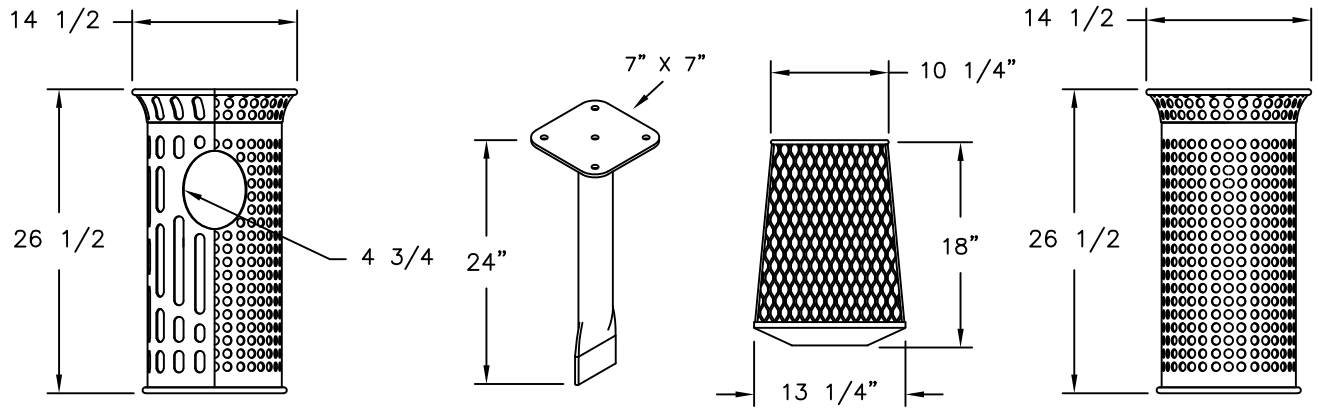
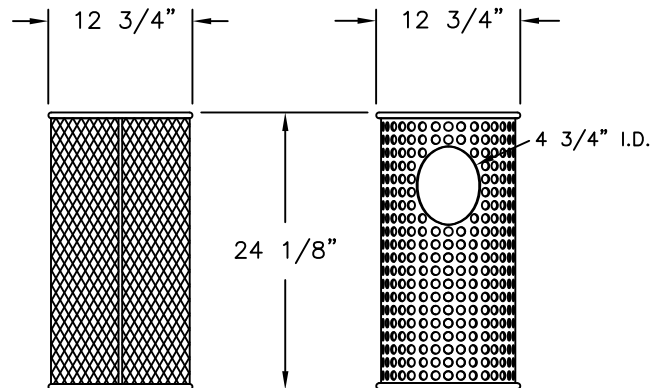
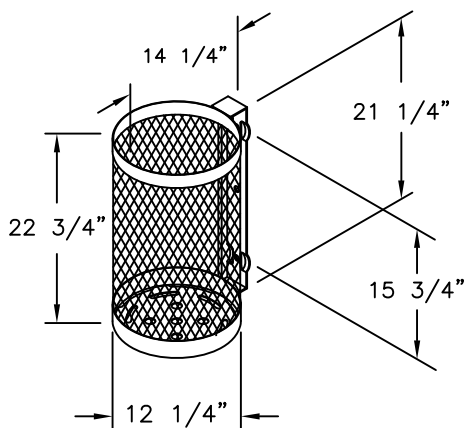


FIG. 1

LEG ATTACHMENT GOLF RECEPTACLE:

A 1/2" rod spike bolts to the bottom to push into the ground. Use three (W) and three (V) using two (U) and one (Z) per (W) to attach spike (O) to can, see FIG. 1.



installation:

WARNING: The proper installation for Wabash Valley products may depend upon many factors unique to the site, location, or use of a particular product. Consult with your contractor or other professional to determine your specific installation requirements.

For installation of trim see page 4.

product dimensions:

