

*model no:*

HS480P, HS480S, HS480I,  
HS480PD, HS480SD, HS480ID,  
HS48CP, HS48CS, HS48CI,  
HS48CPD, HS48CSD, HS48CID,

**48" DISPENSER STAND**

PORTABLE, SURFACE MOUNT, AND INGROUND OPTIONS  
WITH AND WITHOUT COVER.

*customer service:*

**ASSEMBLERS:** If you find any parts missing or damaged, or if you're having difficulty assembling your furniture/equipment, call us at:

\* Before calling, have your product model number available.

**1-800-253-8619 (Inside U.S.A.)**

**260-352-2102 (Outside U.S.A.)**

Monday thru Friday,  
8:00 AM - 4:30 PM Eastern Time  
(EXCEPT HOLIDAYS)

*maintenance:*

Regular inspection and maintenance of all parts is necessary. Replace broken or worn parts immediately or take equipment out of service until repairs are made. Use genuine replacement parts.

KEEP THIS ASSEMBLY/SPECIFICATION SHEET FOR FUTURE REFERENCE.

*specifications:*

NOTE: We reserve the right to change specifications without notice.

Framework assemblies are finished with powder coating; electrostatically applied and oven cured according to powder manufacturer's specifications.

**DISPENSER STAND:**

Top mounting plate consist of 12 gage sheet steel. The upright tube is 12 gage x 1.66 diameter.  
The portable base plate is 5/8 steel plate. The surface mount plate is 7 gage sheet steel.

**SAFETY COVER:**

Cover consist of 14 gage sheet steel.

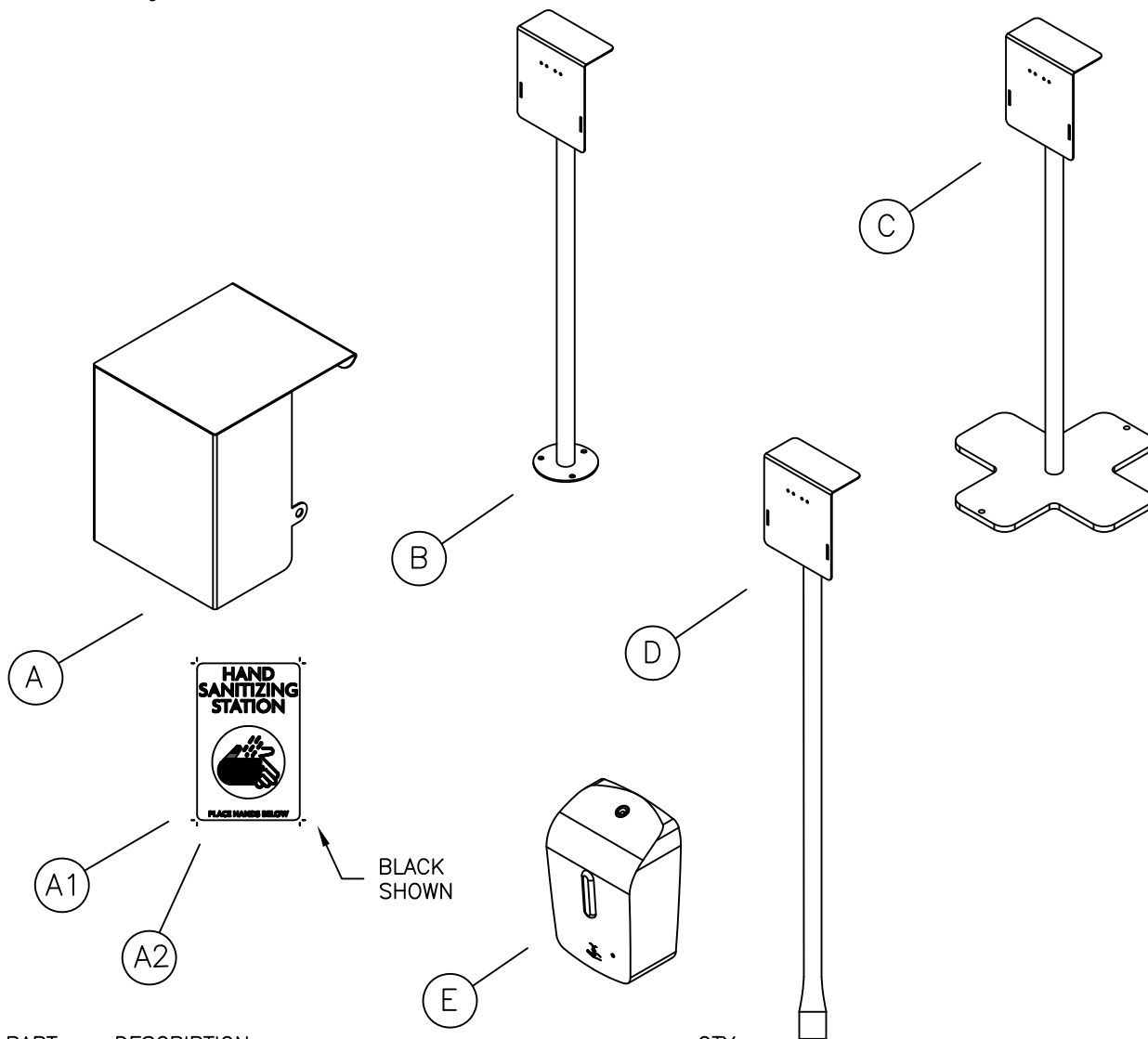
**GENERAL:**

Ground space requirements for The Portable Dispenser Stand with Safety Cover are: 20 3/16" x 20 3/16".  
height with cover is 48 11/16".

Ground space requirements for The Surface Mount Dispenser Stand with Safety Cover are: 8 3/4" x 10 1/16".  
height with cover is 48 5/16".

Ground space requirements for The Inground Mount Dispenser Stand with Safety Cover are: 8" x 8 3/4".  
height with cover is 48 1/2".

*parts identification:*



ITEM	PART	DESCRIPTION	QTY.
A	10626	DISPENSER STAND COVER	1
A1	19500	COVER WHITE FONT STICKER	1
A2	19501	COVER BLACK FONT STICKER	1
B	10627	48" DISPENSER STAND SURFACE MOUNT	1
C	10628	48" DISPENSER STAND PORTABLE/SURFACE MOUNT	1
D	10630	48" DISPENSER STAND INGROUND	1
E	19510	AUTOMATIC HAND SANITIZER DISPENSER - WHITE	1

*hardware identification:*

**assembly procedures:** IMPORTANT: Assemblers should be reasonably skilled in the assembly of commercial grade/heavy duty fabricated steel equipment.

To ensure proper assembly, it is suggested that you take adequate time to locate and identify each part. To prevent scratching of the finished pieces, we recommend this unit to be assembled on a clean, flat, solid, surface with a drop cloth, allowing plenty of working room. Also please read the instructions and study the sketches very carefully. A little extra time spent before assembly will be well worth it in performing a complete, proper assembly. Please note that all parts have been pre-cut and pre-drilled.

7L

## 48" DISPENSER STAND INSTRUCTIONS

### STEP 1

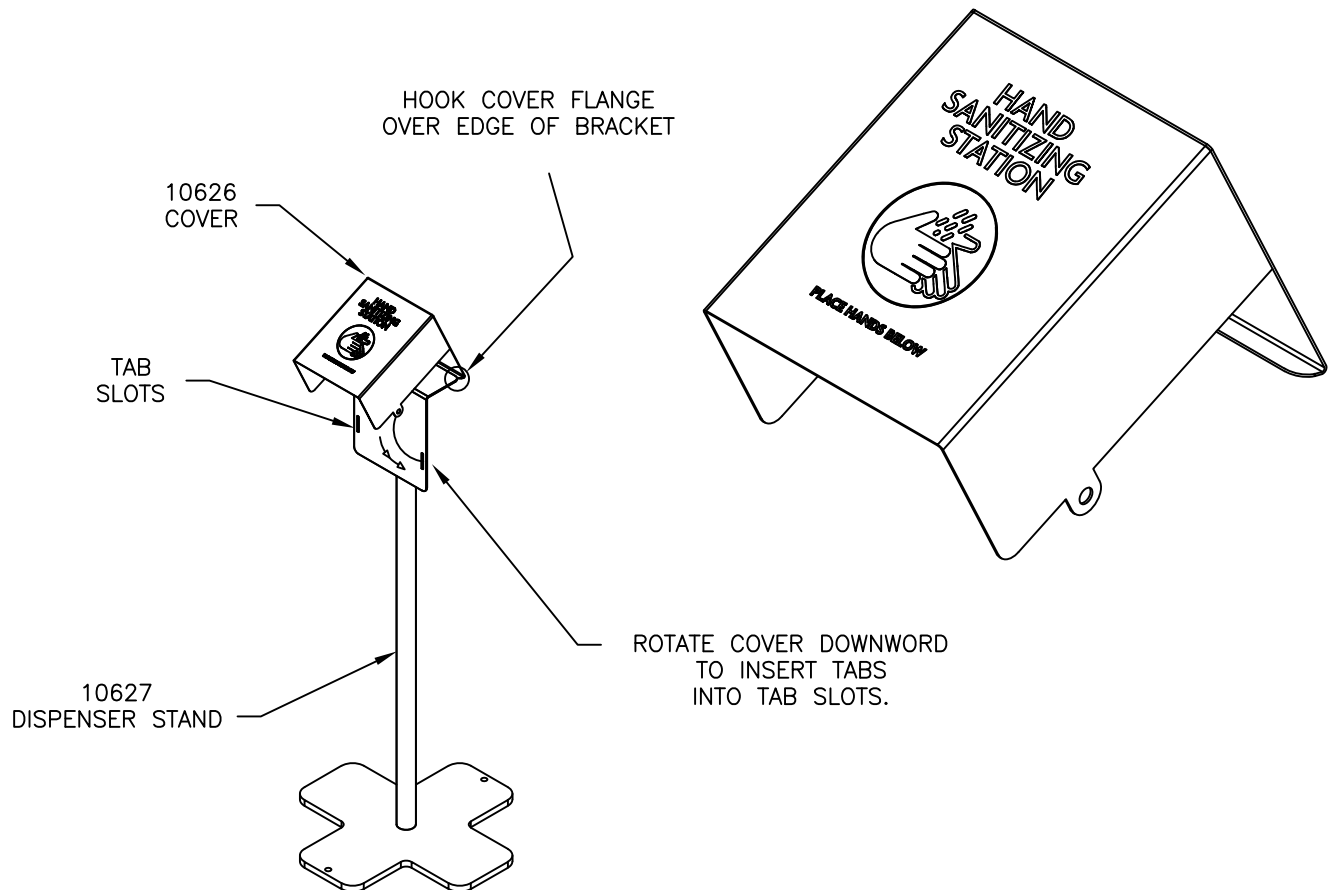
If surface mounting stand, Prepare and place the foundations securement hardware in its chosen location.

### STEP 2

If (10626) Cover is used, Hook cover flange over edge of mounting bracket. Then rotate Cover down until Tabs enter (Tab Slots). Cover can then be secured with fasteners of choice (Fasteners Not Provided)

## Sticker Application Instructions.

With cover placed in installed position. Clean the application area with soap & water. Peel the decal away from the backing very slowly until the top edge of decal is exposed. Align decal to desired position of the Cover. Using a squeegee or credit card type applicator, press firmly on the top edge of the decal working from top to bottom, (This will help in removing air bubbles trapped under the decal).



**installation:** WARNING: The proper installation for products may depend upon many factors unique to the site, location, or use of a particular product. Consult with your contractor or other professional to determine your specific installation requirements.

*product dimensions:*

