

*model no:*



GR105N

**WABASH VALLEY**

GRILL PEDESTAL MOUNT COVERED 36" [915mm]

© Wabash Valley Manufacturing, Inc.

*customer service:*

**ASSEMBLERS:** If you find any parts missing or damaged, or if you're having difficulty assembling your furniture/equipment, call us at:

\* Before calling, have your product model number available.

**1-800-253-8619 (Inside U.S.A.)**

**260-352-2102 (Outside U.S.A.)**

Monday thru Friday,

8:00 AM - 4:30 PM Eastern Time

(EXCEPT HOLIDAYS)

Any correspondence concerning our product should be sent directly to our Customer Service Manager at:

Wabash Valley Manufacturing, Inc.

505 E. Main Street

P.O.Box 5

Silver Lake, IN 46982 U.S.A.

FAX: 260-352-2160

*maintenance:*

Regular inspection and maintenance is necessary. Tighten all bolts and nuts. Inspect Braces and Fasteners periodically for wear or vandalism. Replace broken or worn parts immediately or take equipment out of service until repairs are made. Framework assemblies are finished with painted non-toxic, heat and rust-resistant black enamel.

KEEP THIS ASSEMBLY/SPECIFICATION SHEET FOR FUTURE REFERENCE.

*specifications:*

NOTE: We reserve the right to change specifications without notice.

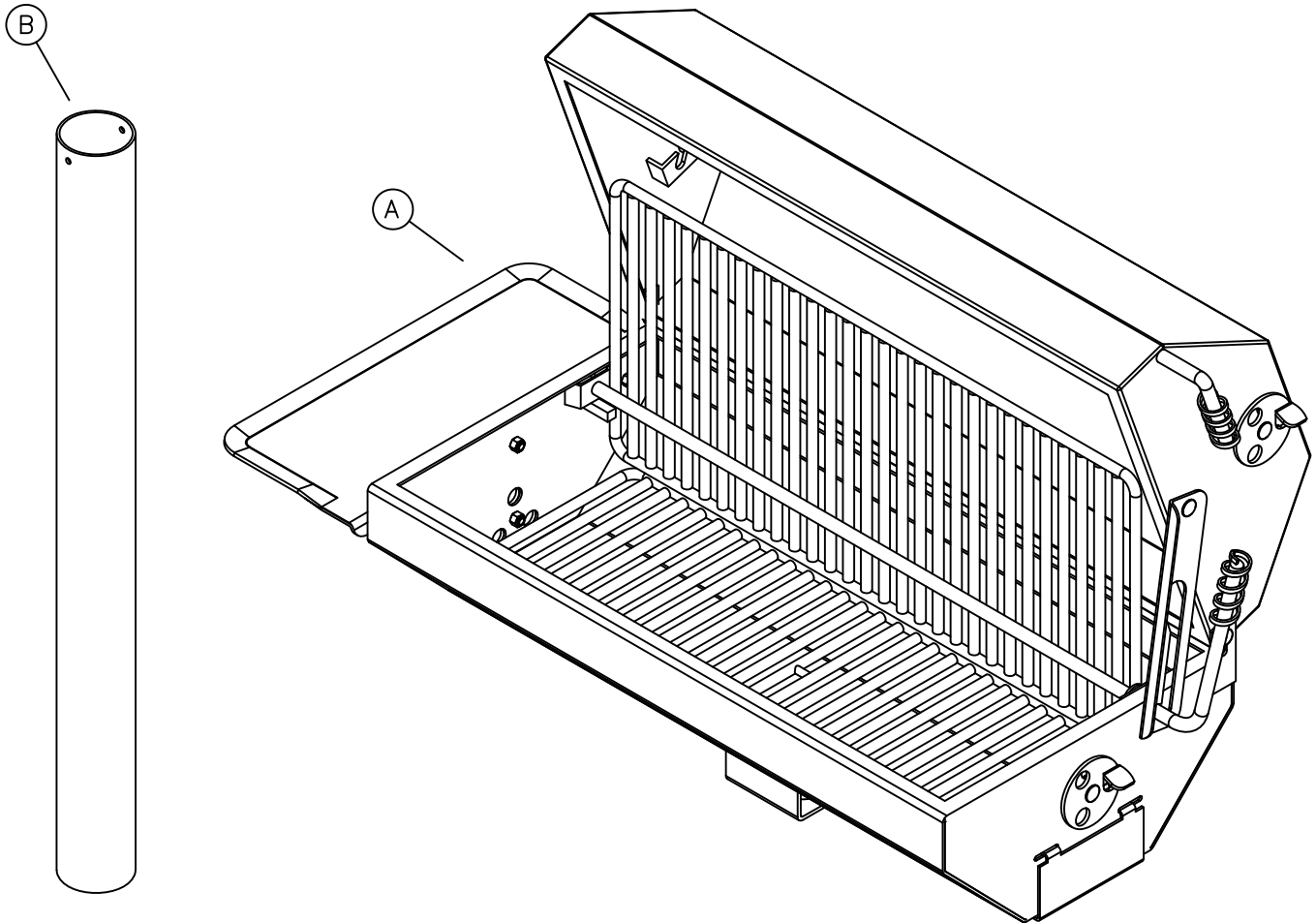
**GRILL:**

The Grill Cover is fabricated of 14 gage sheet steel. The heavy fire box is made of 10 gage sheet steel with 11 gage end panels. Both fire and cooking grates consists of 1/2" diameter steel rod. The four draft vents are made of 7 gage plate steel. The handles are made of coil spring steel and 5/8" diameter steel rod. The inground pedestal tube is 11 gage x 3 1/2" O.D. structural steel tubing. The food grate is 500 sq. inches.

**GENERAL:**

The overall dimensions of the Covered Grill are: 20" [508mm] width x 51" [1295mm] long x 42 1/2" [1080mm] overall closed height. The bottom of fire box is 26" [660mm] from ground level.

# parts identification:



ITEM	PACKAGE#	DESCRIPTION
A, B	ECG1941	GRILL PEDESTAL MOUNT COVERED, INGROUND TUBE

# hardware identification:

HARDWARE PACKAGE INCLUDED

ASSEMBLY TOOLS REQUIRED

- 1 - 2' OR 4' LEVEL
- 2 - 9/16" WRENCHES

## assembly procedures:

**IMPORTANT:** Assemblers should be reasonably skilled in the assembly of commercial grade/heavy duty fabricated steel equipment.

To ensure proper assembly, it is suggested that you take adequate time to locate and identify each part. To prevent scratching of the finished pieces, we recommend this unit to be assembled on a clean, flat, solid, surface with a drop cloth, allowing plenty of working room. Also please read the instructions and study the sketches very carefully. A little extra time spent before assembly will be well worth it in performing a complete, proper assembly. Please note that all parts have been pre-cut and pre-drilled.

During the assembly process leave all bolts and nuts "finger tight", until the entire unit is completely assembled. This allows room for movement to level or adjust all framework and braces if necessary. After final adjustment and leveling, permanently tighten all nuts, bolts and fasteners.

7L

### STEP 1

Prepare a foundation hole. Depth of hole may vary due to your locale and soil type. Refer to local contractors for best results. Place inground leg into prepared hole. Fill hole with concrete and plumb tube vertically being sure to hold height of 26" [660mm] above ground as shown on page 4. Allow 48 hours for concrete to cure.

### STEP 2

Once concrete is cured, lift grill (two people please) onto tube. Secure grill to tube using the locking pin provided. Line up holes in tube and Swivel Mechanism and insert locking pin leaving equal length on each side. Rotate grill one complete revolution to draw locking pin into the Swivel Mechanism to lock the grill onto the post.

### STEP 3

Slide Cover Strut over the Grate Handle through the large hole in the middle of the Cover Strut. Line up the square hole of Strut with center hole in Grill Cover. Secure using one 3/8" x 3/4" Carriage Bolt and one 3/8" lock nut. NOTE: Do not overtighten the lock nut. Doing so will restrict the movement of the Cover and the Cover Strut.

### STEP 4

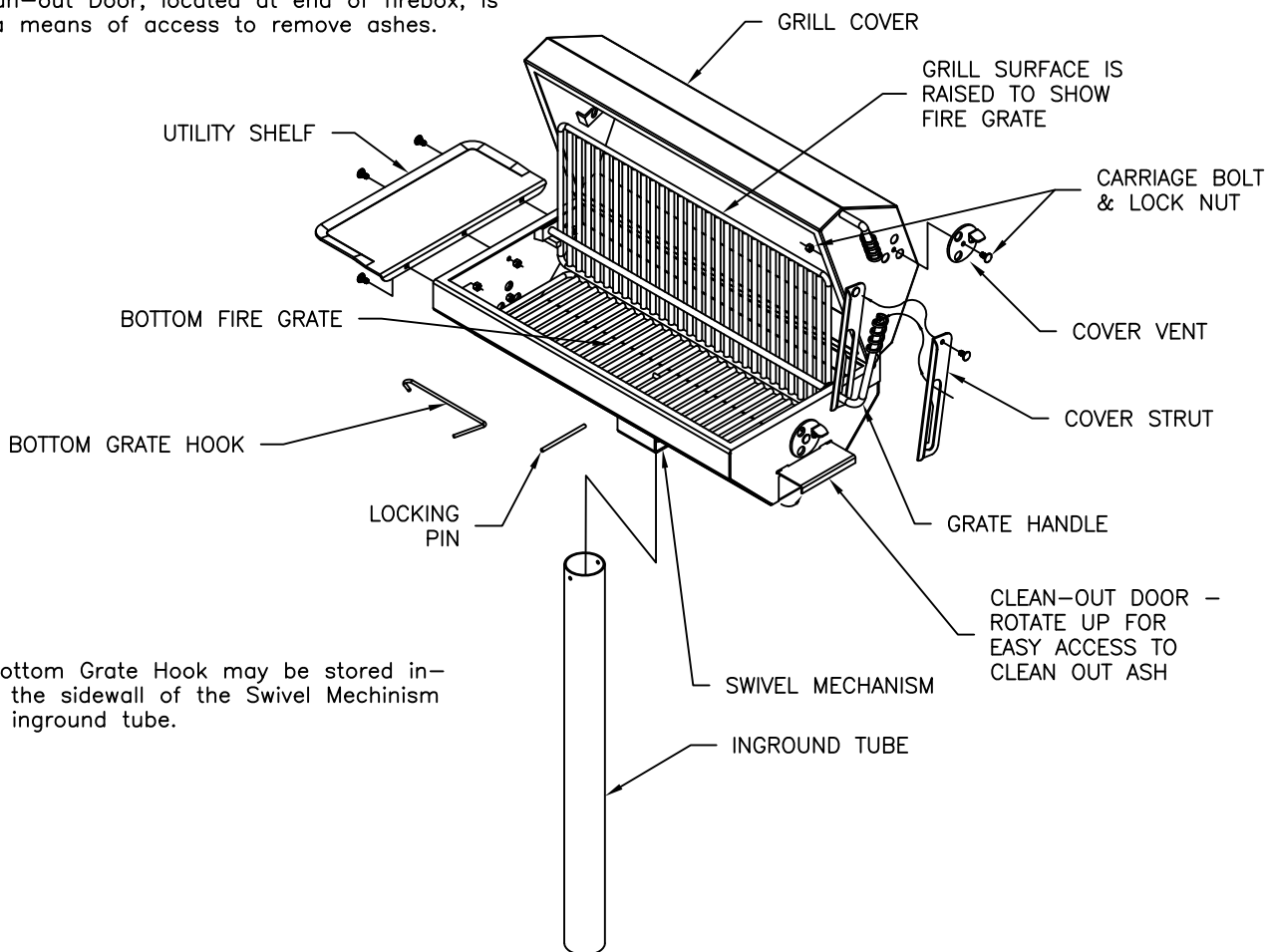
Install the four Vent Covers to cover and firebox using one 3/8" x 3/4" Carriage Bolt and one 3/8" lock nut to each Vent Cover. NOTE: Do not overtighten the lock nut. Doing so will restrict the rotation of the Venter Covers.

### STEP 5

Install the Utility Shelf to firebox using one 3/8" x 3/4" Carriage Bolt and one 3/8" lock nut to each hole.

### STEP 6

The Bottom Grate Hook is used to pull the Bottom Fire Grate out of the way to allow easy clean-out of ashes. The Clean-out Door, located at end of firebox, is an extra means of access to remove ashes.



NOTE: Bottom Grate Hook may be stored in-between the sidewall of the Swivel Mechanism and the inground tube.

## installation:

**WARNING:** The proper installation for these products may depend upon many factors unique to the site, location, or use of a particular product. Consult with your contractor or other professional to determine your specific installation requirements.

# product dimensions:

