

# Covington/Winchester Series

model no:

**urbanscape**®

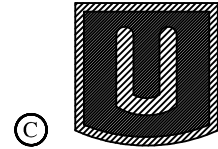
INSTRUMENTS TO SHAPE PUBLIC SPACE

C06538N

WI6538N

ACCESSORIES

ADD-ON ARMS



---

## customer service:

**ASSEMBLERS:** If you find any parts missing or damaged, or if you're having difficulty assembling your furniture/equipment, call us at:

\* Before calling, have your product model number available.

1-800-253-8619 (Inside U.S.A.)

260-352-2102 (Outside U.S.A.)

Monday thru Friday,  
8:00 AM - 4:30 PM Eastern Time  
(EXCEPT HOLIDAYS)

Any correspondence concerning our product should be sent directly to our Customer Service Manager at:

URBANSCAPE  
a division of Wabash Valley Mfg., Inc.  
505 E. Main Street  
P.O.Box 5  
Silver Lake, IN 46982 U.S.A.  
FAX: 260-352-2160  
or email: cs@wabashvalley.com

---

## maintenance:

Regular inspection and maintenance of all parts, and fasteners is necessary. Tighten all bolts and nuts. Inspect Tops, Seats, Legs, Braces and Fasteners periodically for wear or vandalism. Replace broken or worn parts immediately or take equipment out of service until repairs are made. Use genuine Urbanscape replacement parts.

KEEP THIS ASSEMBLY/SPECIFICATION SHEET FOR FUTURE REFERENCE.

---

## specifications:

NOTE: We reserve the right to change specifications without notice.

Framework assemblies are finished with powder coating; electrostatically applied and oven cured according to powder manufacturer's specifications. Fasteners are stainless steel to resist corrosion.

### ARMS:

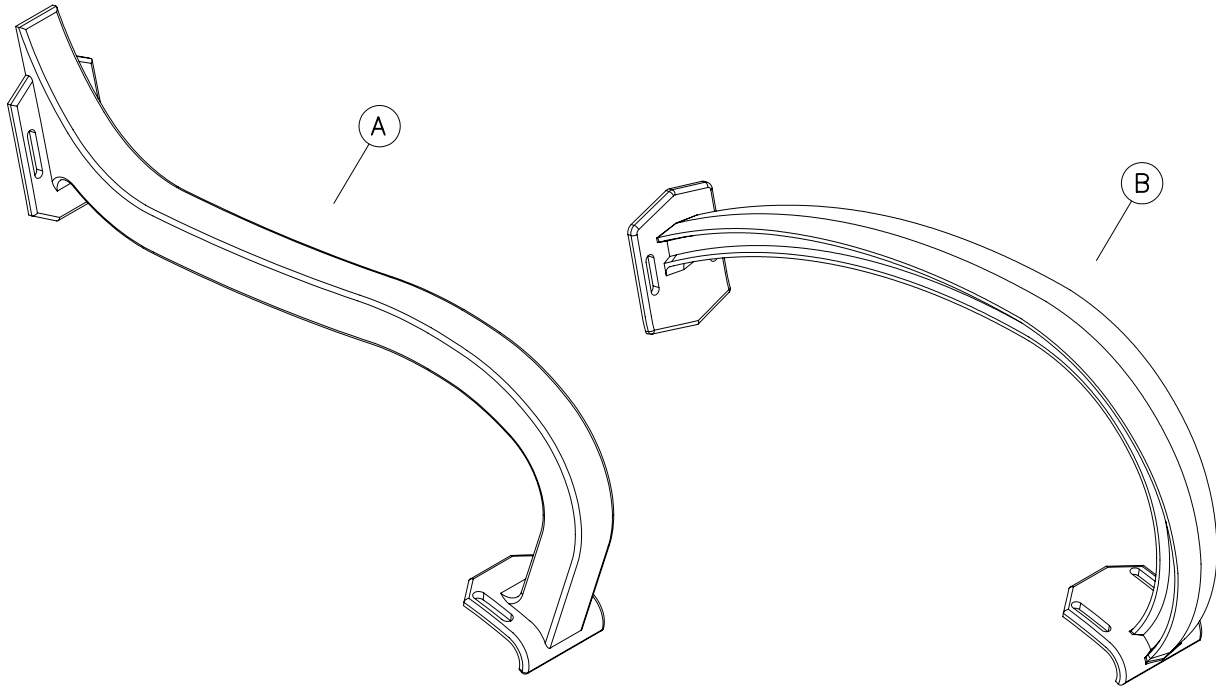
Covington and Winchester arms and mounting plates are cast aluminum.

**assembly procedures:** IMPORTANT: Assemblers should be reasonably skilled in the assembly of commercial grade/heavy duty fabricated steel equipment.

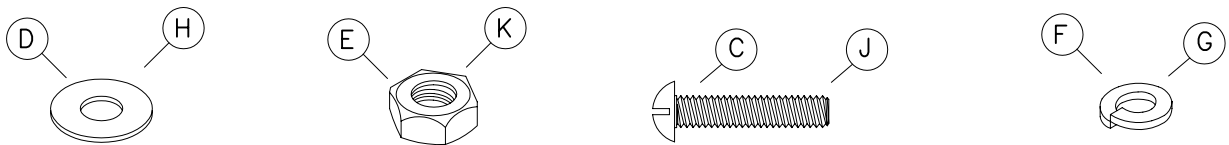
To ensure proper assembly, it is suggested that you take adequate time to locate and identify each part. To prevent scratching of the finished pieces, we recommend this unit to be assembled on a clean, flat, solid, surface with a drop cloth, allowing plenty of working room. Also please read the instructions and study the sketches very carefully. A little extra time spent before assembly will be well worth it in performing a complete, proper assembly. Please note that all parts have been pre-cut and pre-drilled.

During the assembly process leave all bolts and nuts "finger tight", until the entire unit is completely assembled. This allows room for movement to level or adjust all seats, tops, benches, framework and braces if necessary. **After final adjustment and leveling, permanently tighten all nuts, bolts and fasteners.**

7L



ITEM	PART#	DESCRIPTION	QTY
A	4052	COVINGTON ARM	1
B	4053	WINCHESTER ARM	1



ITEMS INCLUDED IN HARDWARE PACKAGE # 21163

ITEM	PART#	DESCRIPTION	QTY
C	17025	5/16 X 1 1/2 MACHINE SCREW - SS	4
D	17028	3/8 FLAT WASHER - SS	4
E	17032	5/16 HEX NUT - SS	4
F	17050	5/16 LOCK WASHER	4
G	17079	1/4 LOCK WASHER - SS	4
H	17103	1/4 FLAT WASHER - SS	4
J	17123	#12-24 X 1 PHILLIPS SCREW - SS	4
K	17124	#12-24 HEX NUT - SS	4

**ASSEMBLY TOOLS REQUIRED**

- 1 - FLAT SCREW DRIVER
- 1 - PHILLIPS SCREW DRIVER
- 1 - 1/2" WRENCH
- 1 - 7/16" WRENCH

**installation:** WARNING: The proper installation for Urbanscape products may depend upon many factors unique to the site, location, or use of a particular product. Consult with your contractor or other professional to determine your specific installation requirements.

## product dimensions:

### STEP 1

Place arm on bench and adjust location slightly until the four bolts can be placed through the pattern of the bench, see Fig. 1. Insert screw through slot in arm and secure arm to bench using one flat washer, one lock washer and one nut. Insert all fasteners before tightening with screw driver and wrench. Tightening with screw driver and wrench.

### NOTE:

The #12-24 screws must be used on the round and square perforated pattern benches. All other benches use the 5/16" screws.

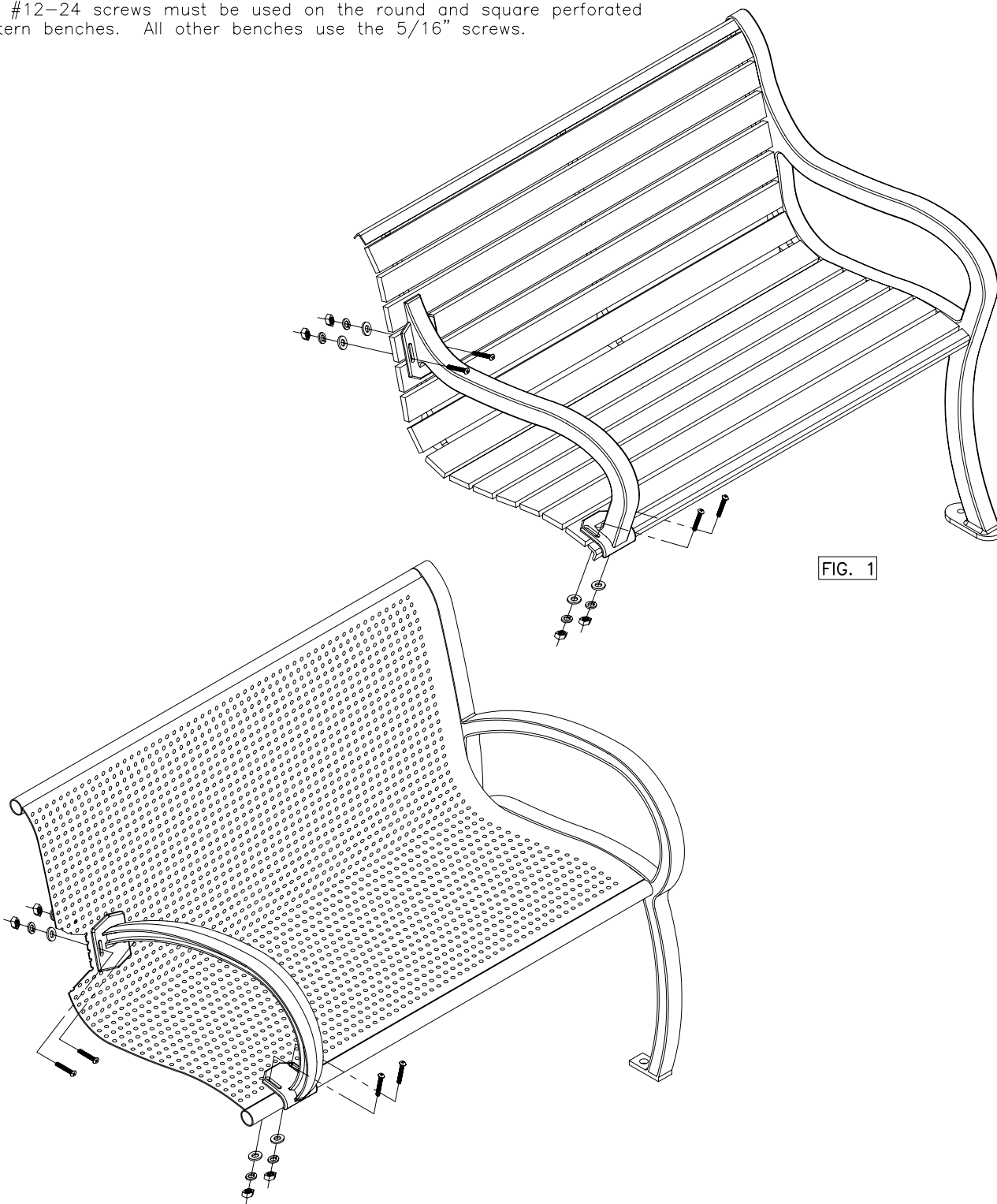


FIG. 1