

*model no:*



CN437D, CN437P, CN437R, CN437S,  
CN438D, CN438P, CN438R, CN438S

**WABASH VALLEY**

© Wabash Valley Manufacturing, Inc.

## CONTEMPORARY SERIES

8' CONTEMPORARY BENCH & LOW PROFILE  
EXPANDED METAL, PERFORATED, RIB, & SLAT  
PORTABLE & SURFACE MOUNT

### *customer service:*

**ASSEMBLERS:** If you find any parts missing or damaged, or if you're having difficulty assembling your furniture/equipment, call us at:  
Any correspondence concerning our product should be sent directly to our Customer Service Manager at:

\* Before calling, have your product model number available.

**1-800-253-8619 (Inside U.S.A.)**

**260-352-2102 (Outside U.S.A.)**

Monday thru Friday,  
8:00 AM - 4:30 PM Eastern Time  
(EXCEPT HOLIDAYS)

Wabash Valley Manufacturing, Inc.  
505 E. Main Street  
P.O.Box 5  
Silver Lake, IN 46982 U.S.A.  
FAX: 260-352-2160

### *maintenance:*

Regular inspection and maintenance of all parts, and fasteners is necessary. Tighten all bolts and nuts. Inspect Tops, Seats, Legs, Braces and Fasteners periodically for wear or vandalism. Replace broken or worn parts immediately or take equipment out of service until repairs are made. Use genuine Wabash Valley replacement parts.

To restore plastisol coating to its luster after prolonged use, wash/rinse/dry and use Armor-All ® or similar quality vinyl protectant.

**KEEP THIS ASSEMBLY/SPECIFICATION SHEET FOR FUTURE REFERENCE.**

### *specifications:*

**NOTE: We reserve the right to change specifications without notice.**

Heat fused poly-vinyl coating, finished on inner-metal structure, to an approximate 3/16" thickness. Framework assemblies are finished with powder coating; electrostatically applied and oven cured according to powder manufacturer's specifications. Fasteners are stainless steel to resist corrosion.

#### BENCH FRAME:

Main supports are constructed of 2 7/8" od x 12 gage galvanized steel tubing. Attach tubes are constructed of 2 3/8" od x 12 gage tubing. Both types of tubing are made from galvanized structural steel tubing. Mounting brackets on the legs are 10 gage sheet steel and 1/4" x 1 1/2" flat bar steel. The mounting plate covers are made of 2 piece cast aluminum. The surface mount screw-in attachments are made of steel plate 1/4" x 6" with a 5/8" threaded stud.

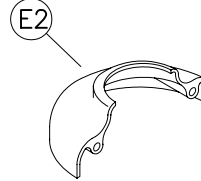
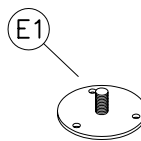
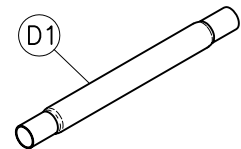
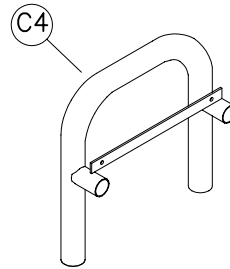
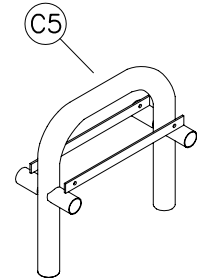
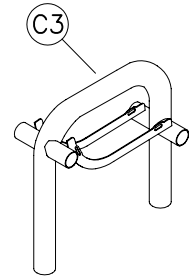
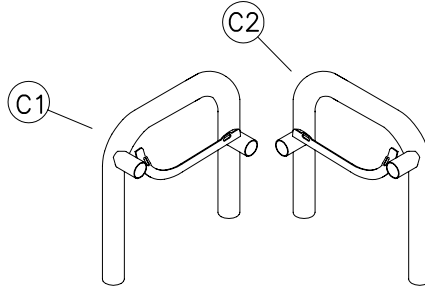
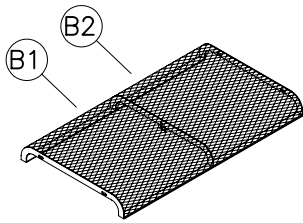
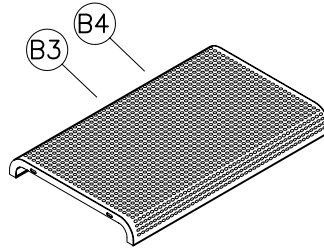
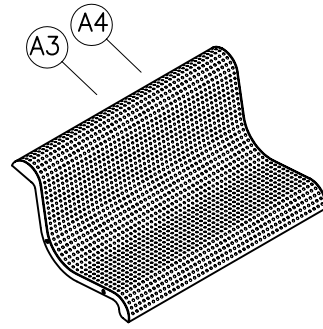
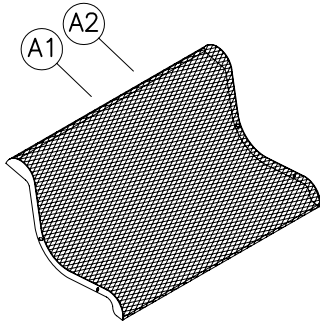
#### BENCH SEAT:

Expanded metal seat uses 3/4" #9 expanded steel. Rib seats use 10 gage and perforated seats use 12 gage sheet steel. Slats are 3/16" x 2 1/4" flat bar. The bench's frame/mounting brackets are made from 10 gage sheet steel. Support braces, adding support to the bench's rolled-sides, are 1/4" x 1 1/4" flat bar steel.

#### GENERAL:

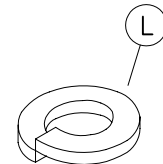
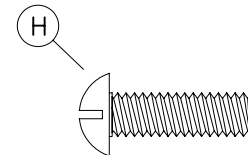
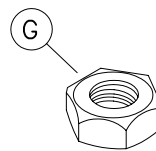
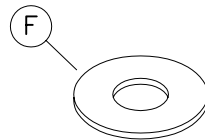
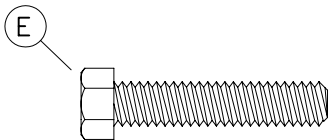
8' Contemporary Bench ground space requirements are 27 1/2" x 109". The bench seat is 48 1/8" long x 26 1/4" wide and 15 1/2" to the top of the lowest part in the bench's seat. 8' low profile bench ground space requirements are 30 3/8" x 109". The bench seat is 48 1/8" long x 30 3/8" wide and 16 1/2" to the top of the seat.

## parts identification:



ITEM	PART#	DESCRIPTION	QTY
A1	8207	4' RIB BENCH	2
A2	8205	4' EXPANDED METAL BENCH	2
A3	8206	4' PERFORATED BENCH	2
A4	8208	4' SLAT BENCH	2
B1	7704	4' RIB LOW PROFILE	2
B2	7659	4' EXPANDED METAL LOW PROFILE	2
B3	8013	4' PERFORATED LOW PROFILE	2
B4	8119	4' SLAT LOW PROFILE	2
C1	7023	LEFT LEG	1
C2	7022	RIGHT LEG	1
C3	7024	CENTER LEG	1
C4	7048	LOW PROFILE LEG	2
C5	7049	CENTER LOW PROFILE LEG	1
D1	7412	4' ATTACHED TUBE	4
E1	7256	SURFACE MOUNT ATTACHMENT	6
E2	7121	MOUNTING PLATE COVERS (OPTIONAL)	12

## hardware identification:



ITEMS INCLUDED WITH HARDWARE PACKAGE #	21014	21101		
ITEM	PART#	DESCRIPTION	QTY	QTY
E	17011	5/16-18 x 1 1/2" HEX HEAD BOLT - SS	4	0
F	17028	3/8" FLAT WASHER - SS	8	0
G	17032	5/16-18 HEX FINISH NUT - SS	4	0
H	17052	1/4-20 x 1" MACHINE SCREW - SS	0	2
L	17050	5/16" SPLIT LOCK WASHER - SS	4	0

### ASSEMBLY TOOLS REQUIRED

- 1 - REGULAR TIP SCREWDRIVER
- 2 - 1/2" WRENCHES
- 1 - 3' OR 6' LEVEL

**assembly procedures:** IMPORTANT: Assemblers should be reasonably skilled in the assembly of commercial grade/heavy duty fabricated steel equipment.

To ensure proper assembly, it is suggested that you take adequate time to locate and identify each part. To prevent scratching of the finished pieces, we recommend this unit to be assembled on a clean, flat, solid, surface with a drop cloth, allowing plenty of working room. Also please read the instructions and study the sketches very carefully. A little extra time spent before assembly will be well worth it in performing a complete, proper assembly. Please note that all parts have been pre-cut and pre-drilled.

During the assembly process leave all bolts and nuts "finger tight", until the entire unit is completely assembled. This allows room for movement to level or adjust all seats, tops, benches, framework and braces if necessary. After final adjustment and leveling, permanently tighten all nuts, bolts and fasteners.

76

**STEP 1**

Free stand both right and left and center legs (C-) and place them approximately the distance of the attached tubes apart, with the round sleeves on each leg facing inward. Take the ends of each attach tube and insert into the round sleeves on each leg, see FIG. 1.

**STEP 2**

Rotate assembly (C-) upside down, attach the screw in attachments (E1), see FIG 2. After all parts have been secured, rotate the bench to it's upright position.

**STEP 3**

Take the (A-/B-) bench seat and raise it above the bench's frame. Bring the bench seat down, aligning the mounting bracket, on each leg to the inside of the bench seat on each end, see FIG 3.

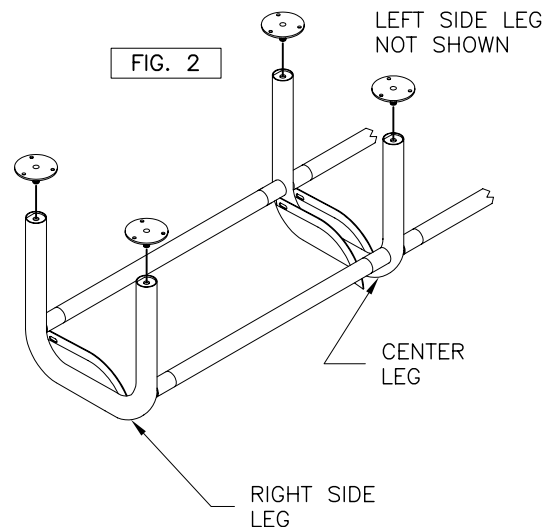
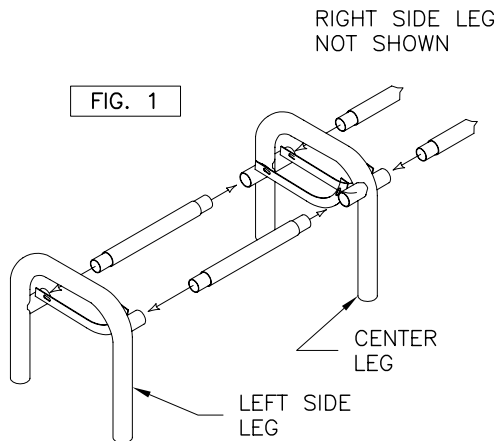
NOTE: It may be necessary to push/pull each leg inward/outward to bring mounting bracket, on each leg, as close as possible to the inside of the bench seat on each end.

**STEP 4**

Repeat STEP 3 for the second bench installed on the other end.

**STEP 5**

Align the holes on the ends of the bench seat, with the holes on the mounting bracket of each leg. Insert (E) screw and (G) nut, with two (F) and one (L) for each screw, into all holes.

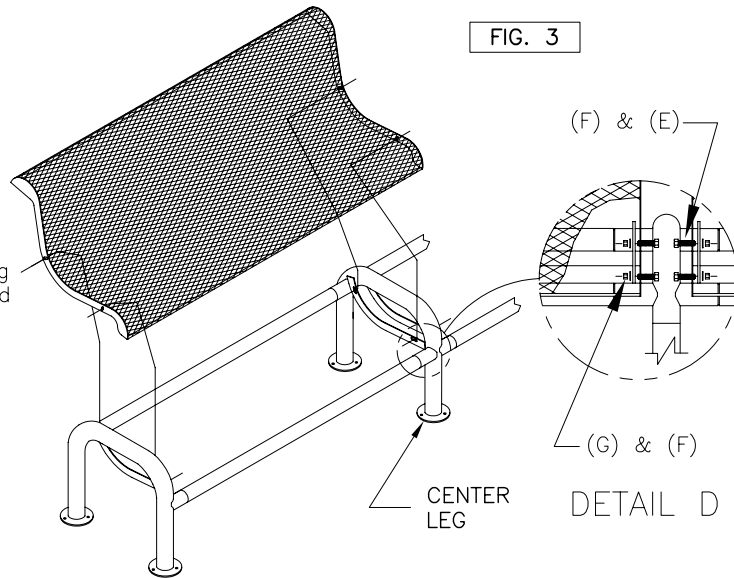


**installation:** WARNING: The proper installation for Wabash Valley products may depend upon many factors unique to the site, location, or use of a particular product. Consult with your contractor or other professional to determine your specific installation requirements.

## assembly procedures, cont'd:

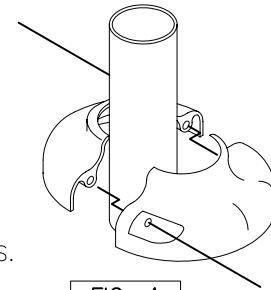
### STEP 6

Adjust the bench seats by pushing the top of the benches downward, in a rocking motion, while raising the front of the benches upward to its most forward position. Draw the fasteners to a snug fit with wrenches, see FIG. 3.



### STEP 7

Level bench if necessary and tighten all fasteners with wrenches. If mounting plate covers (E2) are used place them around legs and secure with 2 (H) screws, see FIG. 6. Bring the screws to a snug fit being careful not to over tighten.



NOTE: THESE INSTRUCTIONS ARE FOR BOTH THE LOW PROFILE AND CONTEMPORARY BENCHES.

FIG. 4

## product dimensions:

