

*model no:*

HR305M, HR310M, HR300V



## HERITAGE SERIES

6' ARCH & STRAIGHT BACK BENCH  
HERITAGE & MISSION

© Wabash Valley Manufacturing, Inc.

### *customer service:*

**ASSEMBLERS:** If you find any parts missing or damaged, or if you're having difficulty assembling your furniture/equipment, call us at:

\* Before calling, have your product model number available.

**1-800-253-8619 (Inside U.S.A.)**

**260-352-2102 (Outside U.S.A.)**

Monday thru Friday,

8:00 AM - 4:30 PM Eastern Time

(EXCEPT HOLIDAYS)

Any correspondence concerning our product should be sent directly to our Customer Service Manager at:

Wabash Valley Manufacturing, Inc.  
505 E. Main Street  
P.O.Box 5  
Silver Lake, IN 46982 U.S.A.  
FAX: 260-352-2160

### *maintenance:*

Regular inspection and maintenance of all parts, and fasteners is necessary. Tighten all bolts and nuts. Inspect Tops, Seats, Legs, Braces and Fasteners periodically for wear or vandalism. Replace broken or worn parts immediately or take equipment out of service until repairs are made. Use genuine Wabash Valley replacement parts.

To restore plastisol coating to its luster after prolonged use, wash/rinse/dry and use Armor-All ® or similar quality vinyl protectant.

**KEEP THIS ASSEMBLY/SPECIFICATION SHEET FOR FUTURE REFERENCE.**

### *specifications:*

**NOTE:** We reserve the right to change specifications without notice.

Heat fused poly-vinyl coating, finished on inner-metal structure, to an approximate 3/16" thickness. Framework assemblies are finished with powder coating; electrostatically applied and oven cured according to powder manufacturer's specifications. Fasteners are stainless steel to resist corrosion.

#### LEGS:

Legs are constructed of 6063 extruded aluminum tubing and end caps are #2 cast aluminum. Surface mount pads are made of 1/4" steel plate.

#### SEATS:

The seat uses die-formed 10 gage mitered angle, 3/4" x 1 3/4". The seats mounting brackets are 1/4" x 1 3/4" plate steel. Reinforcing braces are 1/4" x 1 1/2" flat bar and 10 gage sheet steel.

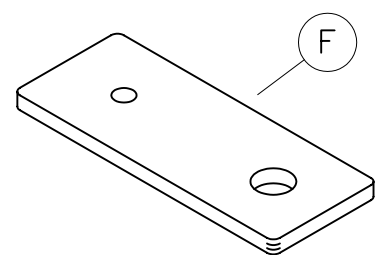
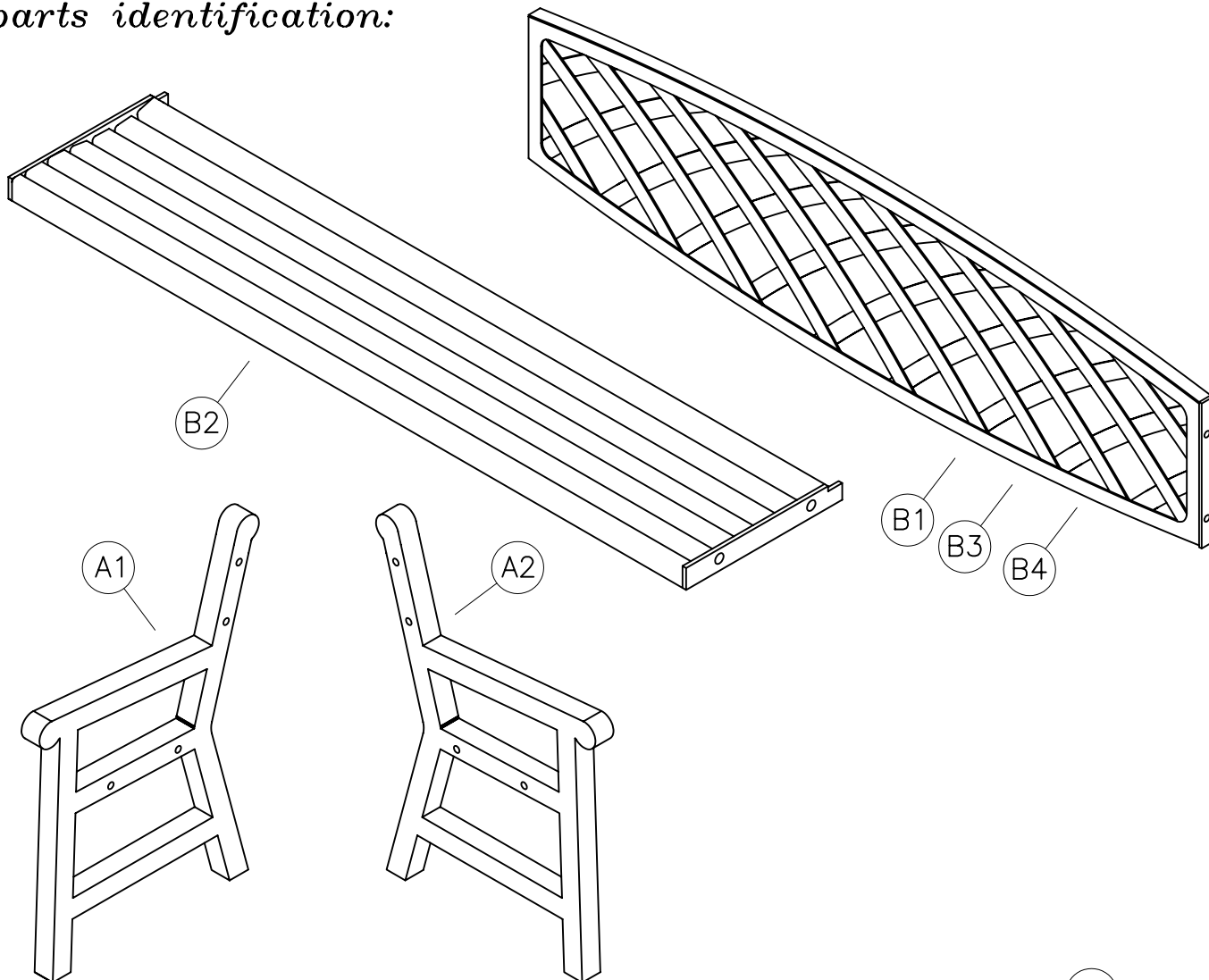
#### BACKS:

The backs are constructed of 14 gage sheet steel. Framing consists of 1/8" x 1 1/4" strip steel for the top and bottom edge. Mounting brackets are 1/4" plate steel.

#### GENERAL:

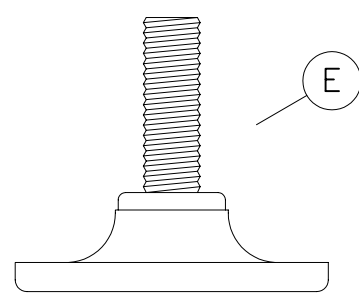
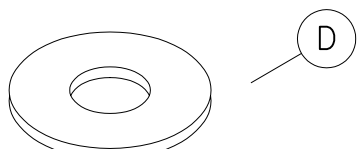
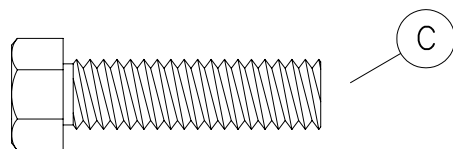
Ground space requirements are 24" x 76" and 17" to the top of the seat at the highest point.

*parts identification:*



ITEM	PART#	DESCRIPTION	QTY
A1	7162	HERITAGE BENCH LEG - RIGHT	1
A2	7163	HERITAGE BENCH LEG - LEFT	1
B1	8044	HERITAGE BENCH BACK	1
B2	8045	HERITAGE BENCH SEAT	1
B3	8100	ARCH BENCH BACK - MISSION	1
B4	8101	STRAIGHT BENCH BACK - MISSION	1
F	HR315N	SURFACE MOUNT ADAPTOR W/HARDWARE (OPTIONAL)	4

*hardware identification:*



ITEMS INCLUDED IN HARDWARE PACKAGE: 2X  
#21071

ITEM	PART#	DESCRIPTION	QTY
C	17094	5/16-18 x 1" HEX HEAD BOLT - SS	4
D	17103	5/16" FLAT WASHER - SS	4
E	19088	REPLACEMENT PART - ADJUSTABLE GLIDE	2

ASSEMBLY TOOLS REQUIRED  
 1 - 1/2" WRENCH  
 1 - 3' OR 6' LEVEL  
 1 - TORQUE WRENCH

**assembly procedures:** IMPORTANT: Assemblers should be reasonably skilled in the assembly of commercial grade/heavy duty fabricated steel equipment.

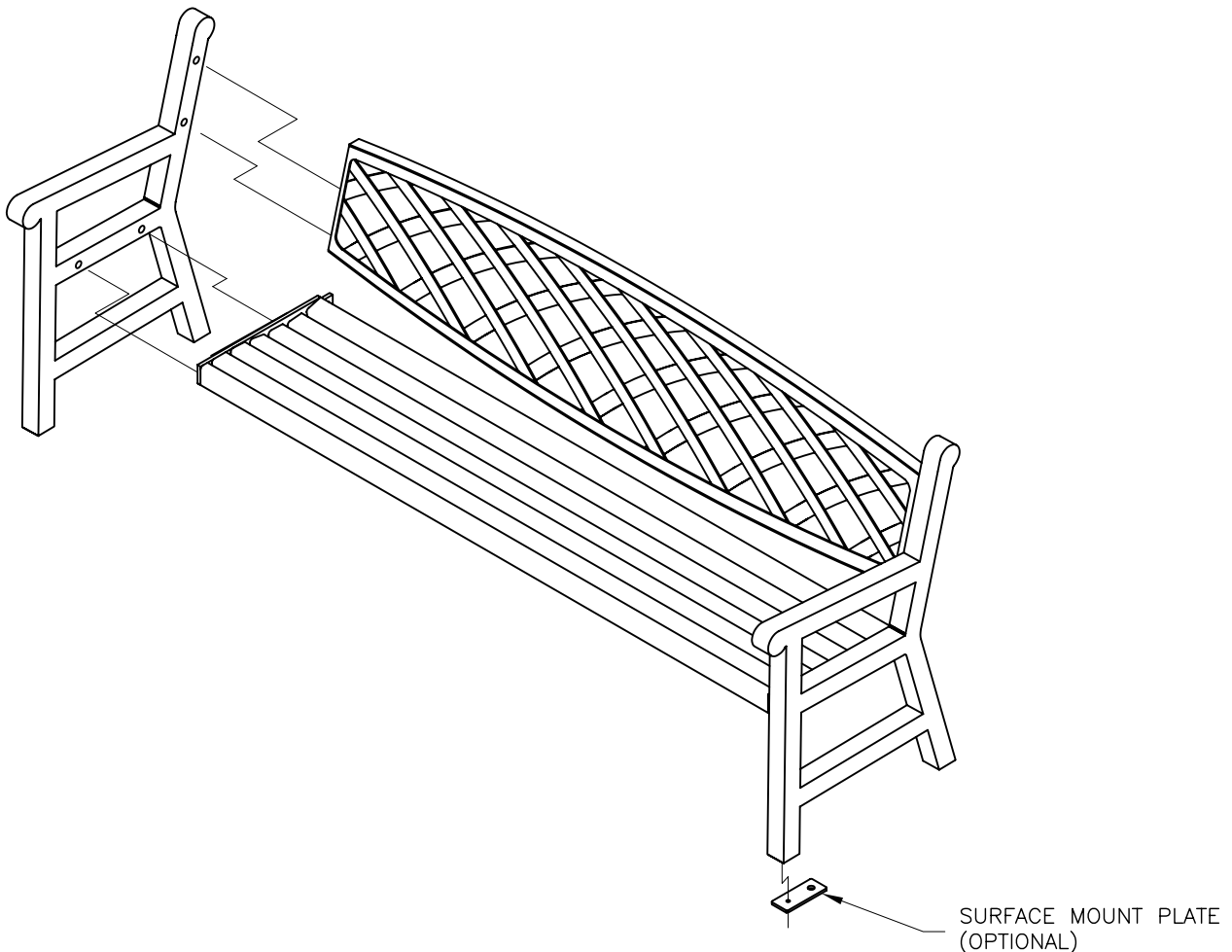
To ensure proper assembly, it is suggested that you take adequate time to locate and identify each part. To prevent scratching of the finished pieces, we recommend this unit to be assembled on a clean, flat, solid, surface with a drop cloth, allowing plenty of working room. Also please read the instructions and study the sketches very carefully. A little extra time spent before assembly will be well worth it in performing a complete, proper assembly. Please note that all parts have been pre-cut and pre-drilled.

During the assembly process leave all bolts and nuts "finger tight", until the entire unit is completely assembled. This allows room for movement to level or adjust all seats, tops, benches, framework and braces if necessary. After final adjustment and leveling, permanently tighten all nuts, bolts and fasteners.

76

- STEP 1: Attach seat (B2) to leg (A-) using one (C) and one (D) per each bolt hole.
- STEP 2: Attach back (B-) to leg (A-) in the same manner as the seat was attached.
- STEP 3: Repeat STEPS 1 AND 2 to complete installation for opposite side, see FIG. 1.
- STEP 4: Level the seat and back, tighten with proper tools.

NOTE: TIGHTEN BOLTS TO 35 FT LBS. EACH.



**installation:** WARNING: The proper installation for Wabash Valley products may depend upon many factors unique to the site, location, or use of a particular product. Consult with your contractor or other professional to determine your specific installation requirements.

*product dimensions:*

