

model no:

PP100D, PP100P, PP200D,
PP200P, PP205D, PP205P



WABASH VALLEY

PRESTIGE/PROFILE SERIES

46" OCTAGON TABLE, INGROUND BASIC FRAME & PORTABLE
3 & 4 SEAT EXPANDED METAL & PERFORATED

© Wabash Valley Manufacturing, Inc.

customer service:

ASSEMBLERS: If you find any parts missing or damaged, or if you're having difficulty assembling your furniture/equipment, call us at:

* Before calling, have your product model number available.

1-800-253-8619 (Inside U.S.A.)

260-352-2102 (Outside U.S.A.)

Monday thru Friday,

8:00 AM - 4:30 PM Eastern Time

(EXCEPT HOLIDAYS)

Any correspondence concerning our product should be sent directly to our Customer Service Manager at:

Wabash Valley Manufacturing, Inc.

505 E. Main Street

P.O.Box 5

Silver Lake, IN 46982 U.S.A.

FAX: 260-352-2160

maintenance:

Regular inspection and maintenance of all parts, and fasteners is necessary. Tighten all bolts and nuts. Inspect Tops, Seats, Legs, Braces and Fasteners periodically for wear or vandalism. Replace broken or worn parts immediately or take equipment out of service until repairs are made. Use genuine Wabash Valley replacement parts.

To restore plastisol coating to its luster after prolonged use, wash/rinse/dry and use Armor-All ® or similar quality vinyl protectant.

KEEP THIS ASSEMBLY/SPECIFICATION SHEET FOR FUTURE REFERENCE.

specifications:

NOTE: We reserve the right to change specifications without notice.

Heat fused poly-vinyl coating, finished on inner-metal structure, to an approximate 3/16" thickness.

Framework assemblies are finished with powder coating; electrostatically applied and oven cured according to powder manufacturer's specifications. Fasteners are stainless steel to resist corrosion.

FRAME:

Main supports for the inground are constructed of 4" x 4" x 11 gage galvanized structural steel tubing. Seat arm assembly is constructed with 2 7/8" od x 9 gage galvanized structural steel tubing. Seat mounting ears, on the cross tubing, are 10 gage sheet steel. Mounting bracket, to the post, is 3/8" x 3 1/2" x 8" plate steel. Portable supports are constructed of 1 5/8" od x 14 gage galvanized structural steel tubing. Mounting brackets, on legs are 1/4" x 1 1/4" steel flat bar. Cross brace is constructed of 1" od x 15 gage galvanized structural steel tubing. Square mounting frame is 1/4" x 1 1/4" steel flat bar, 1/4" plate steel, and 14 gage steel. Bolt covers and Mounting plate covers are cast from #2 aluminum.

TOP AND SEAT:

Tops and seats use fabricated 3/4" x #9 expanded metal, 12 gage sheet metal for the perforated. The top mounting brackets are 1/4" x 1 1/2" flat bar. The seat's mounting brackets are 10 gage sheet steel. The top's four corner plates are 10 gage sheet steel. The end of the rolled sides, of the tops and seats on the expanded metal, use a 1/2" diameter steel rod, to add support.

GENERAL:

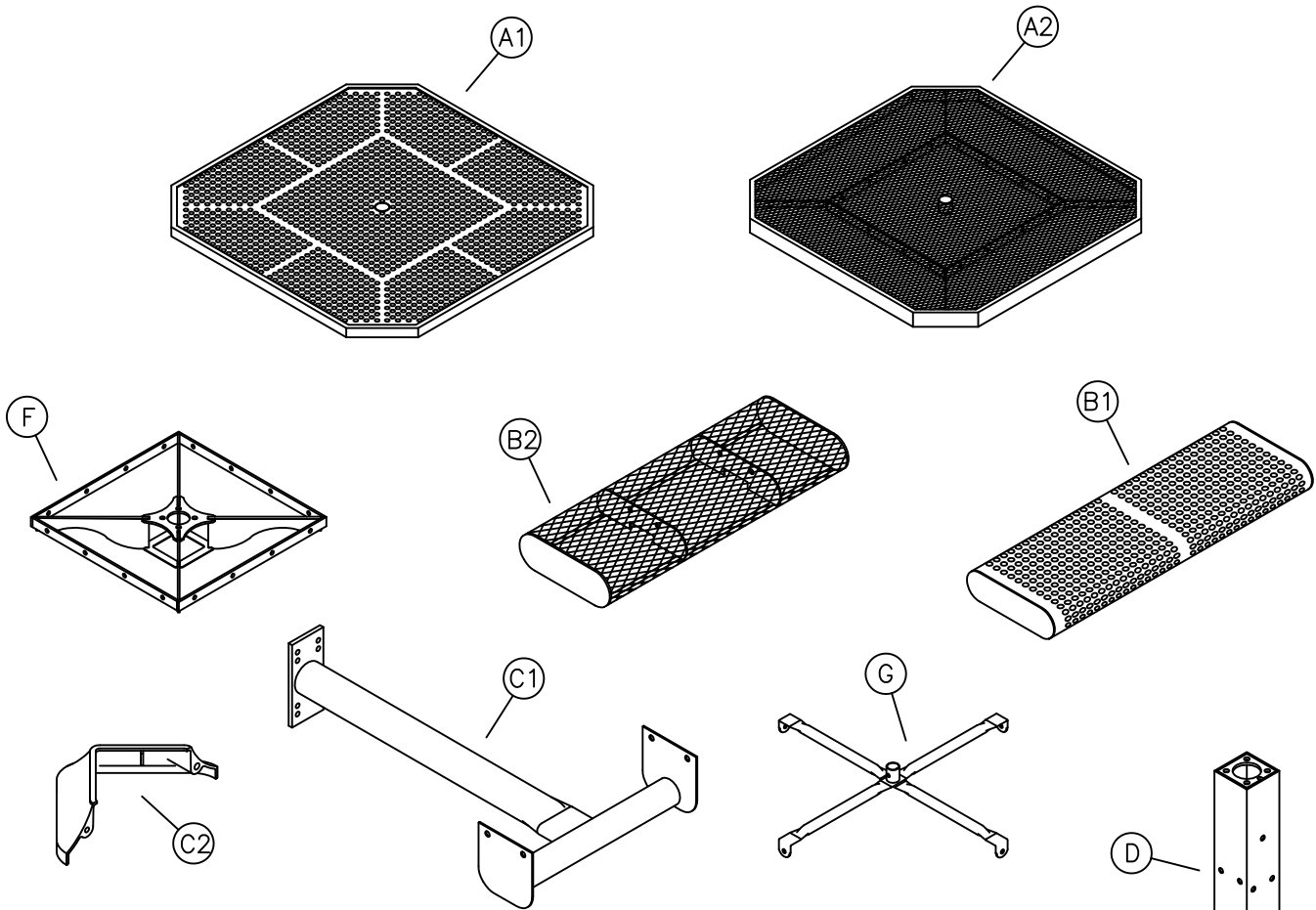
Ground space requirements for the four seat tables are 76 5/8" square. It is 30" to the top of the table and 18 7/8" to the top of the seats.

Ground space requirements for the three seat tables are 76 5/8" x 63" rectangle. It is 30" to the top of the table and 18 7/8" to the top of the seats.

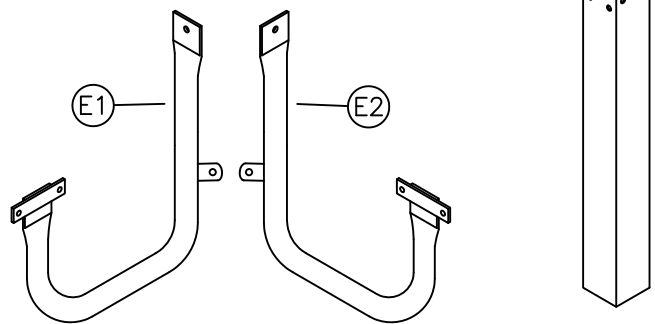
NOTE: When Umbrellas are used on Tables, the Umbrellas must be secured.

Wabash Valley Umbrellas include an Umbrella Collar for securing.

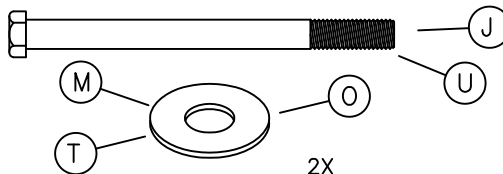
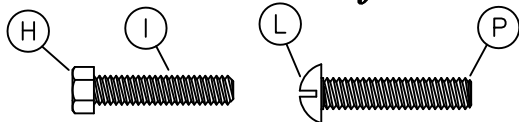
parts identification:



ITEM	PART#	DESCRIPTION	QTY
A1	7970	46" PERFORATED MO TOP	1
A2	7505	46" EXPANDED METAL MO TOP	1
B1	8009	3' PERFORATED RS SEAT	3 & 4
B2	7543	3' EXPANDED METAL RS SEAT	3 & 4
C1	7319A	46" RS SEAT ASSEMBLY	3 & 4
C2	7151	MOUNTING PLATE COVER (OPTIONAL)	2
D	7306A	46" INGROUND POST	1
E1	7326	46" RIGHT LEG	4
E2	7327	46" LEFT LEG	4
F	7464	46" SQ. POST MOUNTING FRAME	1
G	7381	46" CROSS BRACE	1



hardware identification:

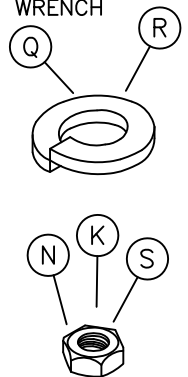


ASSEMBLY TOOLS REQUIRED

- 2 - 1/2" WRENCHES
- 1 - 9/16" WRENCH
- 1 - FLAT SCREWDRIVER
- 1 - 3' OR 6' LEVEL
- 1 - 11/16" WRENCH
- 1 - 5/8" WRENCH

ITEMS INCLUDED IN HARDWARE PACKAGE #

ITEM	PART	DESCRIPTION	21004 QTY	21012 QTY	21022 QTY	21041 QTY	21101 QTY
H	17011	5/16-18 x 1 1/2" HEX HEAD BOLT - SS	0	8	24	8	0
I	17013	3/8-16 x 1 1/4" HEX HEAD BOLT - SS	0	0	0	4	0
J	17051	7/16-14 x 5 1/2" HEX HEAD BOLT - SS	8	0	0	0	0
K	17044	7/16-14 HEX NUT - SS	8	0	0	0	0
L	17025	5/16-18 x 1" TRUSS HEAD MACHINE SCREW - SS	0	0	4	0	0
M	17028	3/8" WASHER - SS	0	16	56	20	0
N	17032	5/16-18 HEX FINISH NUT - SS	0	8	28	8	0
O	17043	7/16" FLAT WASHER - SS	16	0	0	0	0
P	17052	1/4-20 x 1" MACHINE SCREW - SS	0	0	0	0	2
Q	17050	5/16" SPLIT LOCK WASHER - SS	0	8	28	0	0
R	17105	7/16" SPLIT LOCK WASHER - SS	8	0	0	0	0
S	17017	1/4-20 HEX NUT - SS	1	0	0	0	0
T	17103	5/16" FLAT WASHER - SS	2	0	0	0	0
U	17154	1/4-20 X 4 1/2" HEX BOLT - SS	1	0	0	0	0



assembly procedures:

IMPORTANT: Assemblers should be reasonably skilled in the assembly of commercial grade/heavy duty fabricated steel equipment.

To ensure proper assembly, it is suggested that you take adequate time to locate and identify each part. To prevent scratching of the finished pieces, we recommend this unit to be assembled on a clean, flat, solid, surface with a drop cloth, allowing plenty of working room. Also please read the instructions and study the sketches very carefully. A little extra time spent before assembly will be well worth it in performing a complete, proper assembly. Please note that all parts have been pre-cut and pre-drilled.

During the assembly process leave all bolts and nuts "finger tight", until the entire unit is completely assembled. This allows room for movement to level or adjust all seats, tops, benches, framework and braces if necessary. After final adjustment and leveling, permanently tighten all nuts, bolts and fasteners.

7L

PORTABLE

STEP 1

Invert the (A-) top so its upside down on a flat surface. Attach a, E1 and E2, left and right leg to an outside corner of the top's center square mounting frame, see FIG. 1. Use one, per each leg, (H) and (N) using two (M) and one (Q) per (H). NOTE: The tabs on each leg should meet at each corner when installing the legs. Temporarily insert one (L), (N), (Q) and two (M) loosely into the tab holes of each leg. This allows the legs to secure and hold each other in place at each corner.

Repeat STEP 1 until each leg is properly attached in all four corners of the top's center square mounting frame.

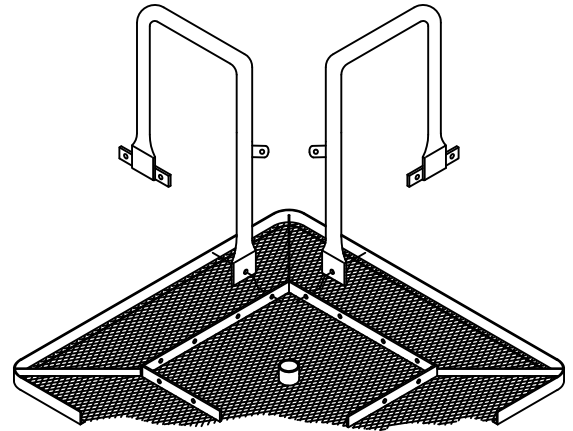


FIG. 1

STEP 2

Attach all four ends of the (G) cross brace, where the tabs of each leg meet. Use the bolts temporarily secured to hold each leg together, see FIG. 2.

NOTE: Before attaching the cross brace, make sure the round cylinder at the center of the cross brace is pointing downward toward the bottom side of the top.

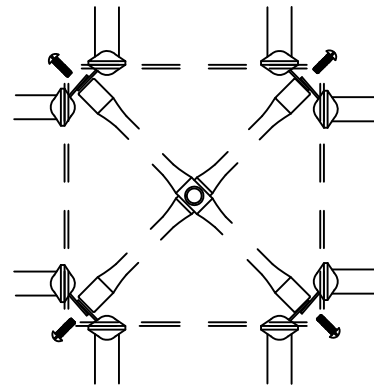


FIG. 2

STEP 3

Check all fasteners making sure each fastener is finger tight and properly supporting the unit. Re-invert the table to its topside up position.

STEP 4

Lift one (B-) seat above the seat end of each leg, on one side of the unit. Bring the seat down, aligning the mounting bracket on each leg, to the inside of the seat's mounting brackets, see FIG. 3. Secure the seat using two, per each mounting bracket, (H), (N) using two (M) and one (Q) per (H).

Repeat STEP 4, to attach the remaining seats.

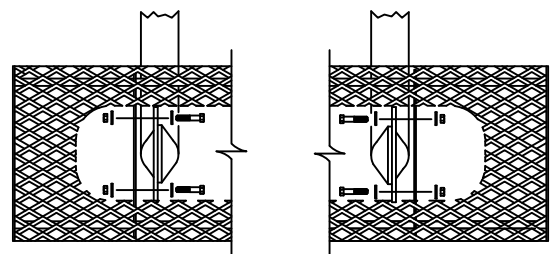


FIG. 3

STEP 5

Level the seats and top, if necessary, and tighten all fasteners with wrenches.

installation:

WARNING: The proper installation for Wabash Valley products may depend upon many factors unique to the site, location, or use of a particular product. Consult with your contractor or other professional to determine your specific installation requirements.

assembly procedures, cont'd:

INGROUND

STEP 1

Slide (F) onto end of (D), matching the square opening with the square post, until it rests atop the post. Secure (F) and (D) with four (I) and four (M) into each pre-welded t-nut inside post, see FIG. 4. Draw bolts to a snug fit with a wrench.

STEP 2

Invert the top on a flat surface. Attach the (D/F) assembly to the inside of the top's center square mounting frame, see FIG. 5. Use eight (H) and (N) using two (M) and one (Q) per (H). Draw the fasteners to a snug fit with wrenches.

STEP 3

Prepare one foundation hole. Refer to product dimension on page 4.

STEP 4

Re-invert the table to its topside up position and place it in the footing hole. Block the table as shown in FIG. 6. Before pouring concrete, make sure the table is level horizontally as well as vertically and holds 30" to the top of the table.

Pour the concrete to form the footing and let cure for 48 hours.

FIG. 4

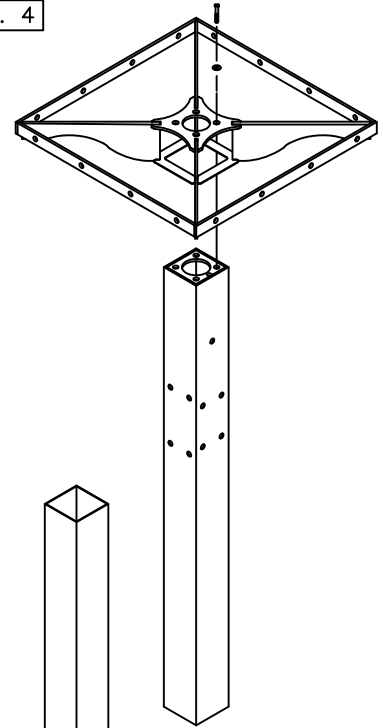
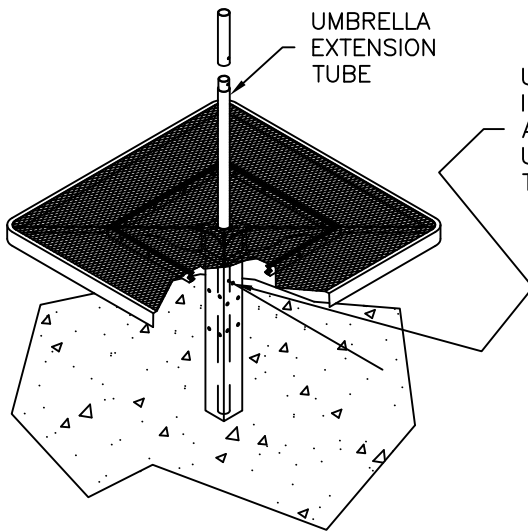
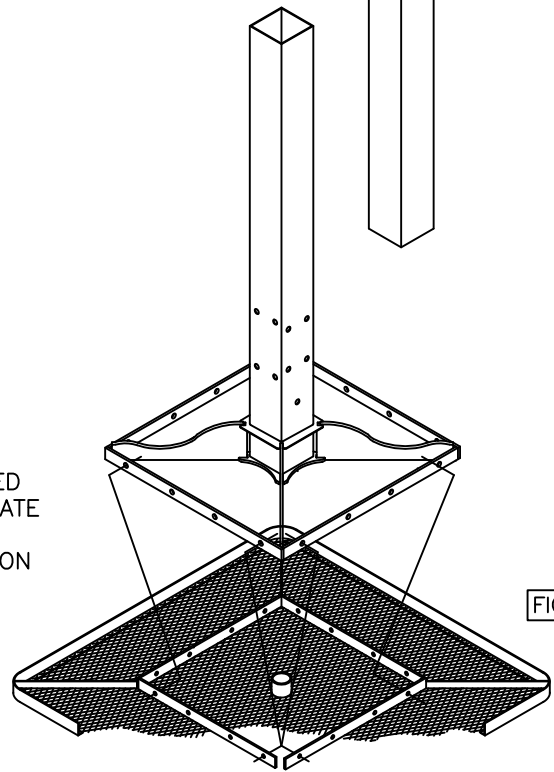
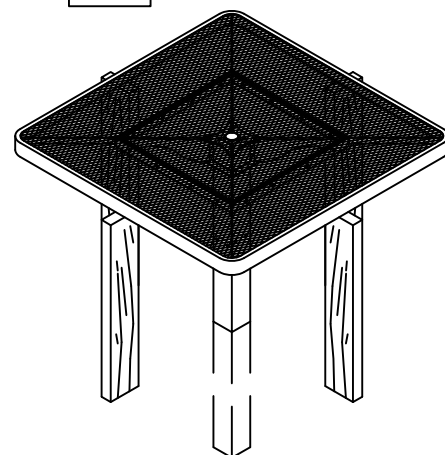


FIG. 5



USE HOLE PROVIDED IN TUBE AS TEMPLATE AND DRILL THRU UMBRELLA EXTENSION TUBE.

FIG. 6



NOTE:

Secure the umbrella AFTER the seat arms are assembled.

UMBRELLA SECUREMENT

Insert the umbrella extension tube into the square inground/surface mount tube through the table top hole.

STEP A

Before drilling, be sure desired umbrella height is established. Drill a $\phi 1/4$ " hole thru umbrella extension tube using the $\phi 3/8$ " hole directly under table top as a template.

STEP B

Secure umbrella extension to table leg tube using one (U), two (T) and one (S). Tighten to snug fit.

assembly procedures, cont'd:

STEP 5
Attach each (C1) seat assembly arm to the inground post as shown in FIG. 7. Use four, per each seat assembly arm, (J) and (K) using two (O) and one (R) per (J).

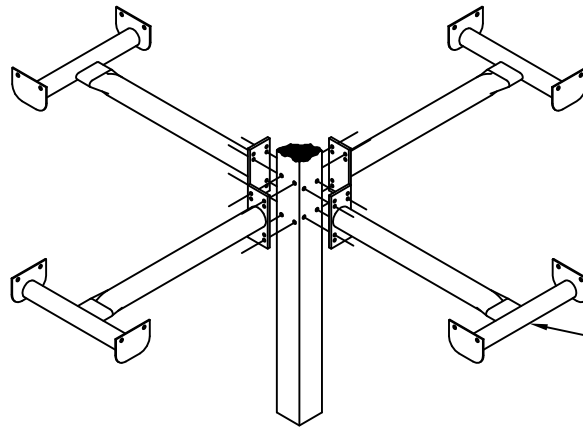


FIG. 7

NOTE: USE ONLY THREE
SEAT ASSEMBLIES
FOR THREE SEAT UNIT

STEP 6
Attach all three/four (B-) seats (see FIG. 7 NOTE) to the end of each seat assembly arm. Align the seat's mounting brackets to the outside of the seat assembly (C1), FIG. 8. Use four, per each seat, (H) and (N) using two (M) and one (Q) per (H).

STEP 7
Level the seats and top, if necessary, and tighten all fasteners with wrenches.

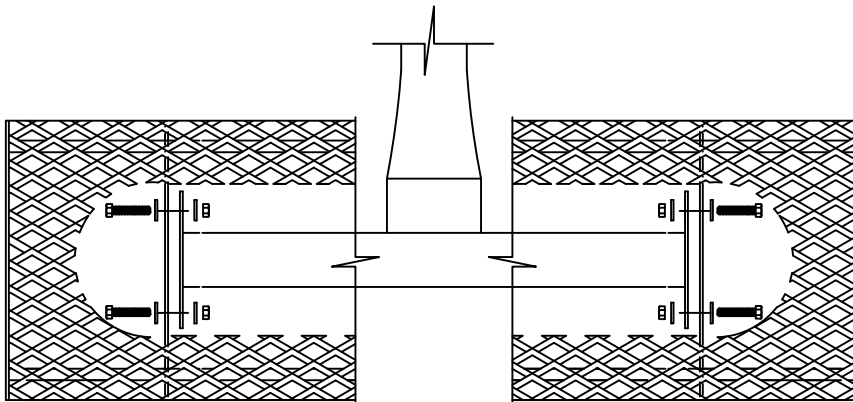


FIG. 8

If mounting plate covers (C2) are used, place halves around legs and secure with 2 (P) screws, see FIG. 9. Draw to a snug fit being careful not to over tighten.

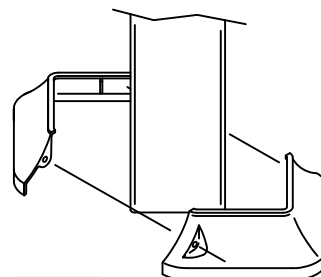


FIG. 9

product dimensions:

