

model no:

FR400D, FR400P, FR400R,
LR200D, LR200P, LR200R, LR200S,
LR300D, LR300P, LR300R, LR300S,
LR350D, LR355D, LR355P,



WABASH VALLEY

TRASH RECEPTACLES/ACCESSORIES

32 GAL. TAPERED, 22, 32 & 55 GAL. RECEPTACLES,
32 GAL. FLARE RECEPTACLES

© Wabash Valley Manufacturing, Inc.

customer service:

ASSEMBLERS: If you find any parts missing or damaged, or if you're having difficulty assembling your furniture/equipment, call us at:

* Before calling, have your product model number available.

1-800-253-8619 (Inside U.S.A.)
260-352-2102 (Outside U.S.A.)
Monday thru Friday,
8:00 AM - 4:30 PM Eastern Time
(EXCEPT HOLIDAYS)

Any correspondence concerning our product should be sent directly to our Customer Service Manager at:

Wabash Valley Manufacturing, Inc.
505 E. Main Street
P.O.Box 5
Silver Lake, IN 46982 U.S.A.
FAX: 260-352-2160

maintenance:

Regular inspection and maintenance of all parts, and fasteners is necessary. Tighten all bolts and nuts. Inspect Tops, Seats, Legs, Braces and Fasteners periodically for wear or vandalism. Replace broken or worn parts immediately or take equipment out of service until repairs are made. Use genuine Wabash Valley replacement parts.

To restore plastisol coating to its luster after prolonged use, wash/rinse/dry and use Armor-All ® or similar quality vinyl protectant.

KEEP THIS ASSEMBLY/SPECIFICATION SHEET FOR FUTURE REFERENCE.

specifications:

NOTE: We reserve the right to change specifications without notice.

Heat fused poly-vinyl coating, finished on inner-metal structure, to an approximate 3/16" thickness. Framework assemblies are finished with powder coating; electrostatically applied and oven cured according to powder manufacturer's specifications. Fasteners are stainless steel to resist corrosion.

TRASH RECEPTACLES:

Expanded metal receptacles uses 3/4" #9 expanded steel mesh with 5/16" diameter steel rod, joining the ends of the fabricated metals, to form the seam of their diameter. Rib panel is 10 gage and perforated panel is 12 gage sheet metal. A 3/4" diameter steel tube is used to add support at the top and bottom. Tubing on top of the flare tops are replaced with the aluminum cast flare. The bottom is also supported by a 12 gage sheet steel floor.

LR350D receptacle uses 3/4" #9 expanded steel mesh. A 5/16" rod is used to join the end of the fabricated metal to form the seam of its diameter. A 1/2" steel rod is used to add support at the bottom. A 3/4" steel tube is used to add support at the top. The bottom is supported by a 12 gage sheet steel floor.

The liners are constructed of #4 low density polyethylene plastic.

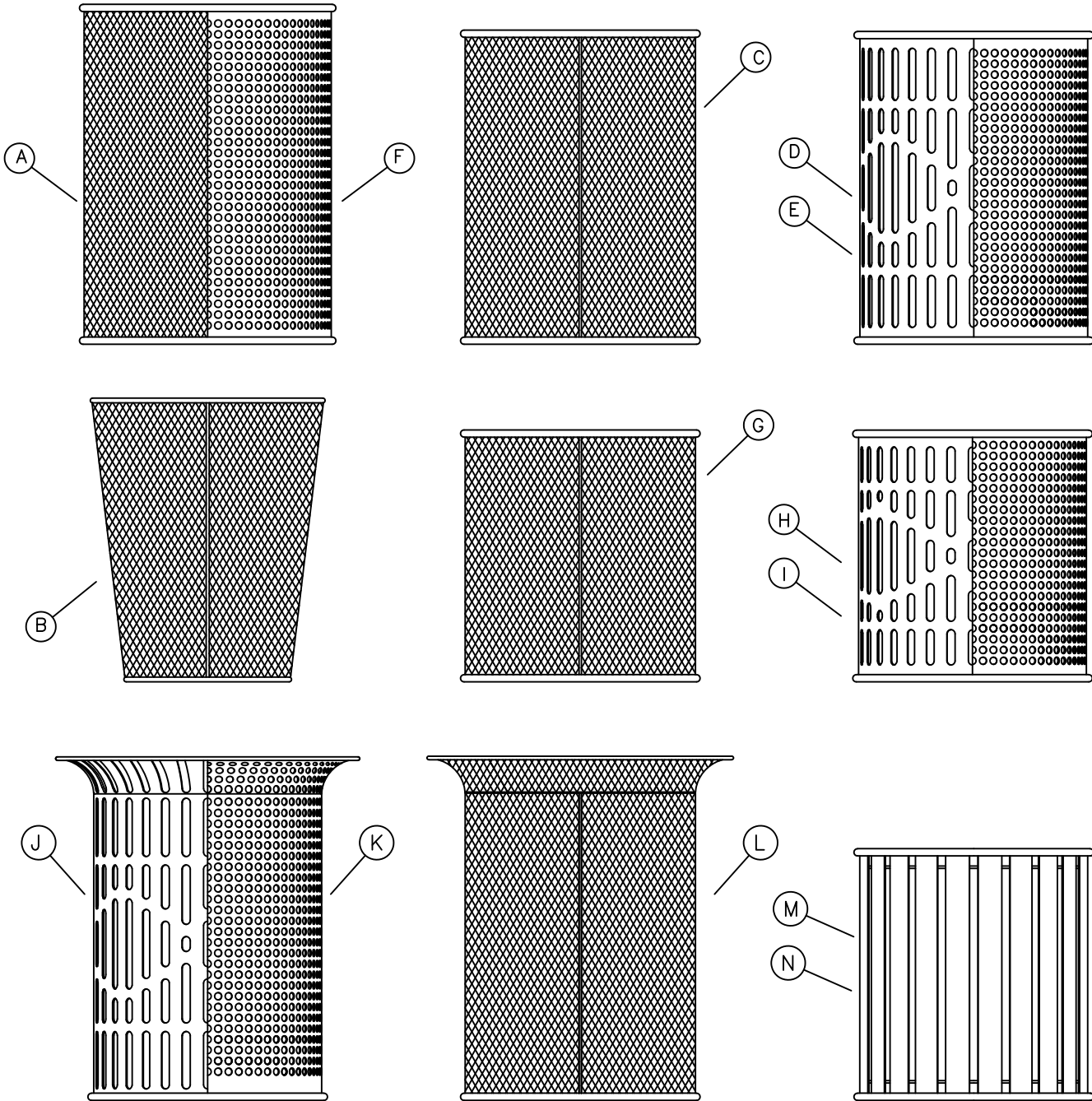
The clips, to support the flat top/dome, each sold separately, are constructed of 1/8" x 3/4" x 1" angle iron.

LEG PACKAGES:

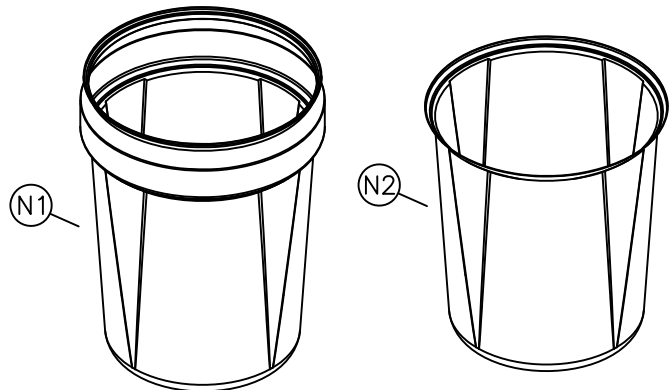
Leg packages AU105N, LR100N and LR105N consist of 2 3/8" od x 12 gage structural steel tubing. All leg packages use 14 gage sheet steel for the mounting plate and gussets to add support. The surface mount leg uses 1/4" plate steel for its surface mount plate.

Specifications continued on page 3.

parts identification/product dimensions:



ITEM	PART#	DESCRIPTION
A	9589	55 GAL EXPANDED METAL RECEPTACLE
B	7903	32 GAL EXPANDED METAL TAPERED RECEPTACLE
C	9557	32 GAL EXPANDED METAL RECEPTACLE
D	9559	32 GAL RIB RECEPTACLE
E	9560	32 GAL PERFORATED RECEPTACLE
F	9588	55 GAL PERFORATED RECEPTACLE
G	9580	22 GAL EXPANDED METAL RECEPTACLE
H	9582	22 GAL RIB RECEPTACLE
I	9583	22 GAL PERFORATED RECEPTACLE
J	9563	32 GAL RIB FLARE RECEPTACLE
K	9564	32 GAL PERFORATED FLARE RECEPTACLE
L	9561	32 GAL EXPANDED METAL FLARE RECEPTACLE
M	9596	22 GAL SLAT RECEPTACLE
N	9598	32 GAL SLAT RECEPTACLE
N1	RPL32	32 GAL RECEPTACLE LINER
N2	RPL22	22 GAL RECEPTACLE LINER



SOLD SEPARATELY

parts identifaction/product dimensions continued:

LIDS:

FT100N, FT105N, FT106N, FT110N, and FT115N consist of 18 gage steel. FT100N overall diameter is 22 7/8" and 1 3/4" length skirt with opening of 8" diameter. FT105N overall diameter is 22 7/8" and 1 3/4" length skirt with 8" diameter opening, an upward slant and overall height of 2 3/4". FT106N overall diameter of 22 7/8" and 1 3/4" length of skirt with opening of 5" diameter, an upward slant and overall height of 3". FT110N overall diameter is 22 7/8" and 1 3/4" length skirt with opening of 14" diameter. FT115N overall diameter is 24 7/8" and 1 7/8" length skirt with 14" diameter opening. FT200N overall diameter is 24 1/2" and 2" length skirt with 8" diameter opening.

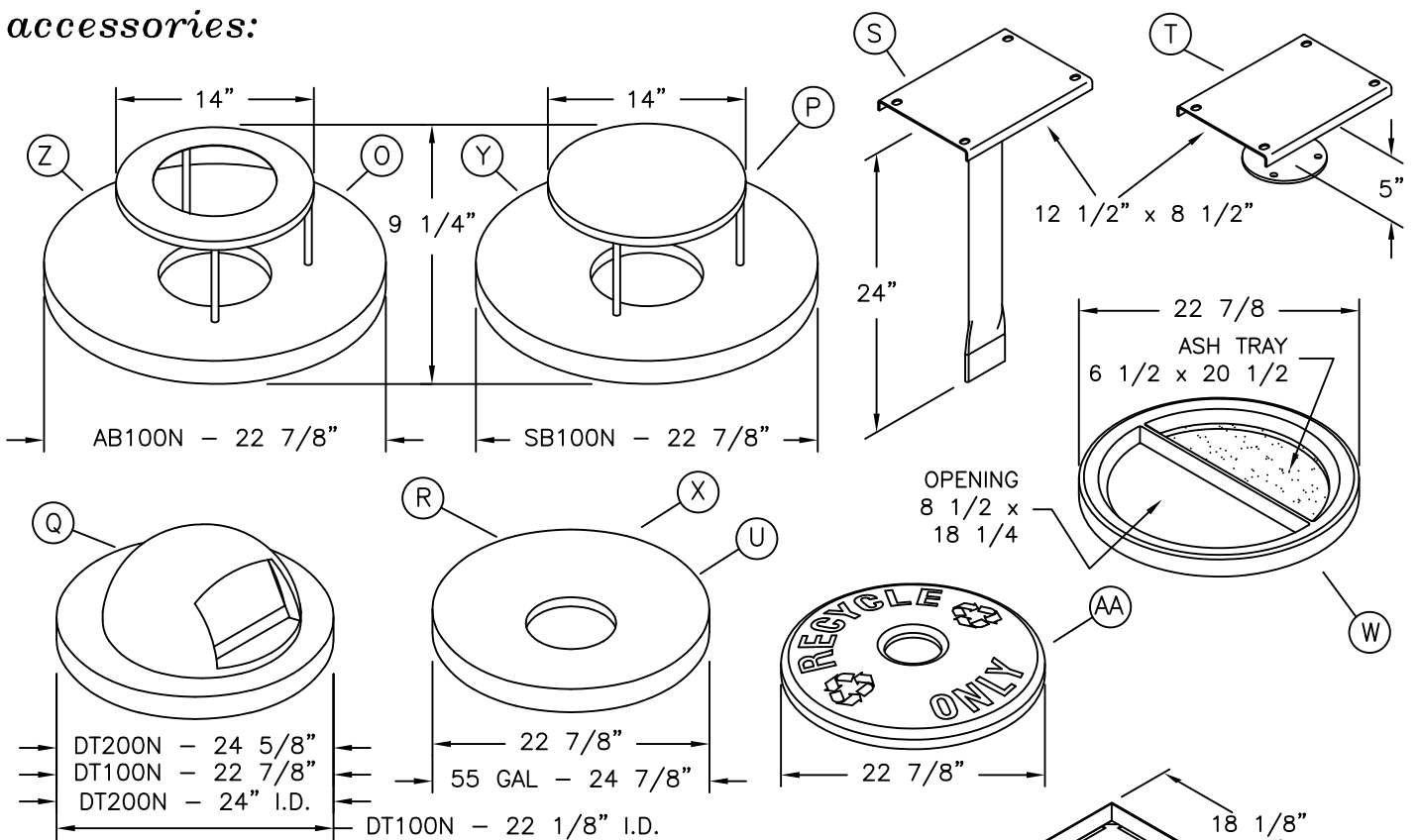
FT106N is the Recycle Lid listed above with vinyl decal with 1 mil clear overlamine.

DT100N and DT200N consist of 3/16" thick injection molded structural thermo plastic. Dome is 10" high x 18" in diameter. Hole opening is 10" x 7 1/2" with spring loaded swing type door. DT100N base is 22 7/8" in diameter with a skirt length of 1 5/8". DT200N base is 24 5/8" in diameter with a skirt length of 2 5/8"

SB100N, and AB100N consist of FT100N top with solid bonnet or ash tray on it. TB100N consist of FT110N top with tray return made of 14 gage galvaneal. The shelf is 14" deep, 18" wide and is 8" above the flat top. Trim material is flexible embossed vinyl metal core. FT116N and FT117N consists of FT115N flat top with 18 gage solid or ash tray bonnet on it. The upright support brackets consists of 10 gage sheet steel.

AL100N is a cast aluminum ash and trash lid and is 22 7/8" od with a 2" length skirt.

accessories:



ITEM:	PART#	DESCRIPTION:
O	AB100N	OPEN BONNET WITH DOWNWARD SLANT
P	SB100N	SOLID BONNET WITH DOWNWARD SLANT
Q	DT100N, DT200N	DOME TOP LID
R	FT100N	8" OPENING FLAT TOP - DOWNWARD SLANT
S	LR100N	INGROUND POST
T	LR105N	SURFACE MOUNT POST
U	FT110N, FT115N	14" OPENING FLAT TOP - DOWNWARD SLANT
V	TB100N	TRAY RETURN FLAT TOP
W	AL100N	CAST ASH/TRASH LID
X	FT105N	8" OPENING FLAT TOP - UPWARD SLANT
Y	SB105N	SOLID BONNET WITH UPWARD SLANT
Z	AB105N	OPEN BONNET WITH UPWARD SLANT
AA	FT106N	5" OPENING RECYCLE FLAT TOP - UPWARD SLANT

Not Shown: Ash Tray Insert - Replacement part number: 19064

For installation of trim see page 4.

assembly procedures:

IMPORTANT: Assemblers should be reasonably skilled in the assembly of commercial grade/heavy duty fabricated steel equipment.

To ensure proper assembly, it is suggested that you take adequate time to locate and identify each part. To prevent scratching of the finished pieces, we recommend this unit to be assembled on a clean, flat, solid, surface with a drop cloth, allowing plenty of working room. Also please read the instructions and study the sketches very carefully. A little extra time spent before assembly will be well worth it in performing a complete, proper assembly. Please note that all parts have been precut and pre-drilled.

During the assembly process leave all bolts and nuts "finger tight", until the entire unit is completely assembled. This allows room for movement to level or adjust all seats, tops, benches, framework and braces if necessary. After final adjustment and leveling, permanently tighten all nuts, bolts and fasteners.

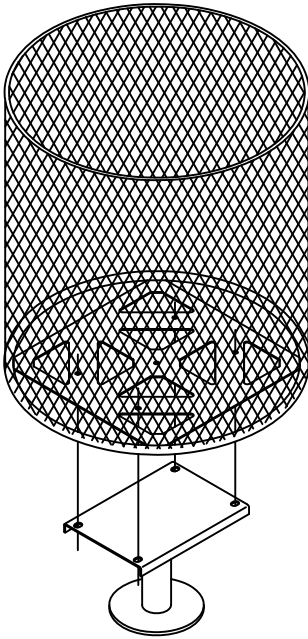
76

FIG. 1

STEP 1: Place inground post in concrete footer, making sure to keep post perpendicular to the ground, and allowing 5" of clearance between the ground and mounting plate.

STEP 2: After allowing concrete to harden, 48 hours, place the trash receptacle on the mounting plate. Align the holes in the trash receptacle base plate and the holes in the mounting plate of the inground post, see FIG. 1.

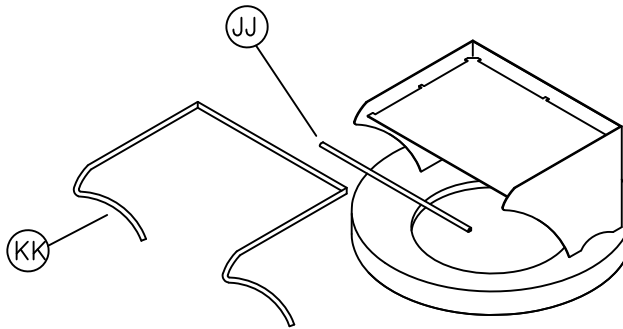
STEP 3: Bolt trash receptacle using four (GG) and (II) with two (HH) and one (QQ) per (GG).



TRIM INSTALLATION

STEP 1: Using rubber mallet and starting at one end, gently tap (JJ) in place on front edge of tray return shelf.

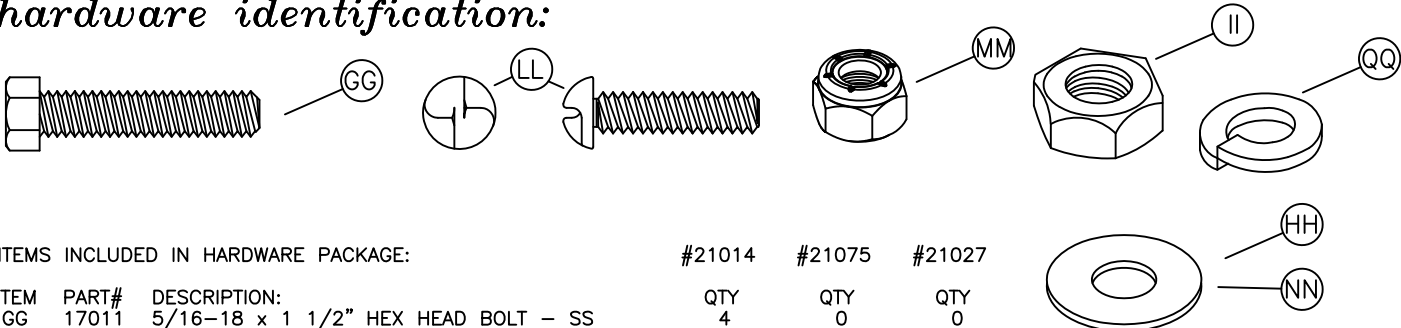
STEP 2: Using rubber mallet and starting at one end, gently tap (KK) onto front and top edge of vertical support of tray return.



installation:

WARNING: The proper installation for Wabash Valley products may depend upon many factors unique to the site, location, or use of a particular product. Consult with your contractor or other professional to determine your specific installation requirements.

hardware identification:



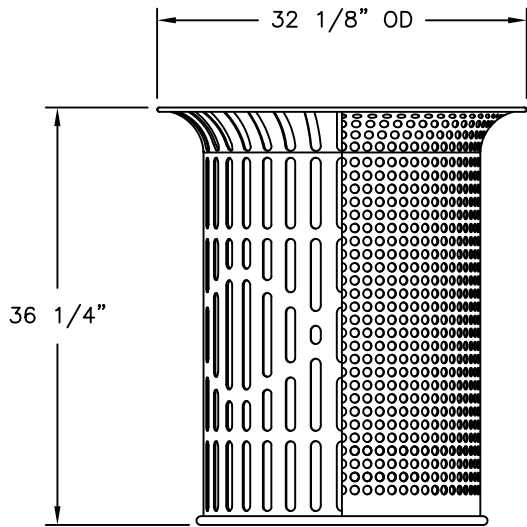
ITEMS INCLUDED IN HARDWARE PACKAGE:

ITEM	PART#	DESCRIPTION:	#21014	#21075	#21027
GG	17011	5/16-18 x 1 1/2" HEX HEAD BOLT - SS	4	0	0
HH	17028	3/8" FLAT WASHER - SS	8	0	0
II	17032	5/16-18 HEX FINISH NUT - SS	4	0	0
JJ	19045	TRIM x 18" LONG	0	1	0
KK	19045	TRIM x 71 3/4" LONG	0	1	0
LL	17008	1/4-20 x 1 1/4" ONE WAY MACHINE SCREW - SS	0	2	2
MM	17016	1/4-20 NYLOC NUT - SS	0	2	2
NN	17103	1/4" FLAT WASHER - SS	0	4	4
PP	19067	12" WIRE ROPE ASSEMBLY	0	1	1
QQ	17050	5/16" SPLIT LOCK WASHER - SS	4	0	0

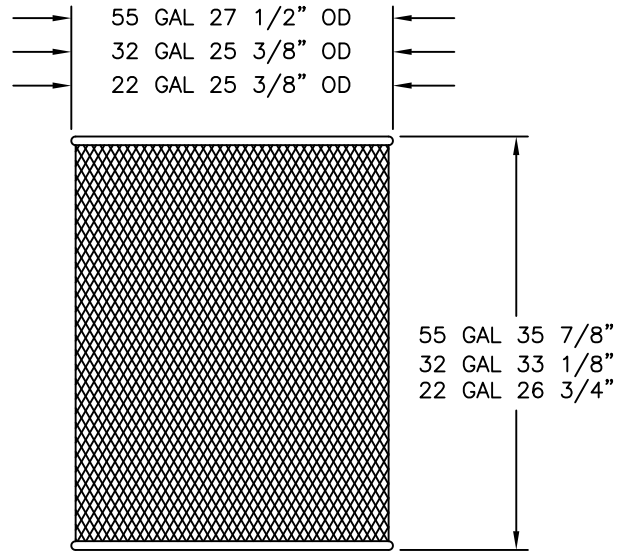
ASSEMBLY TOOLS REQUIRED

- 1 - 3/8" WRENCH
- 1 - FLAT SCREWDRIVER
- 2 - 1/2" WRENCHES
- 1 - 3' OR 6' LEVEL
- 1 - RUBBER Mallet

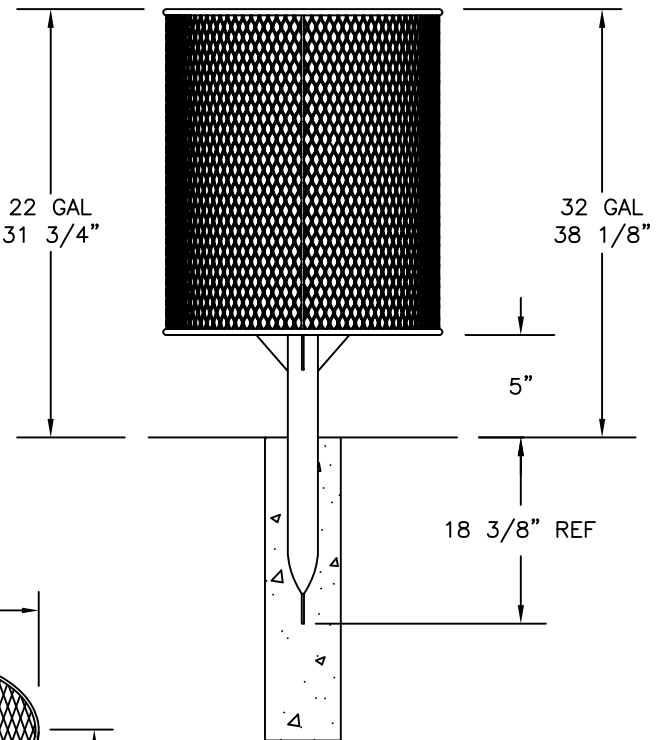
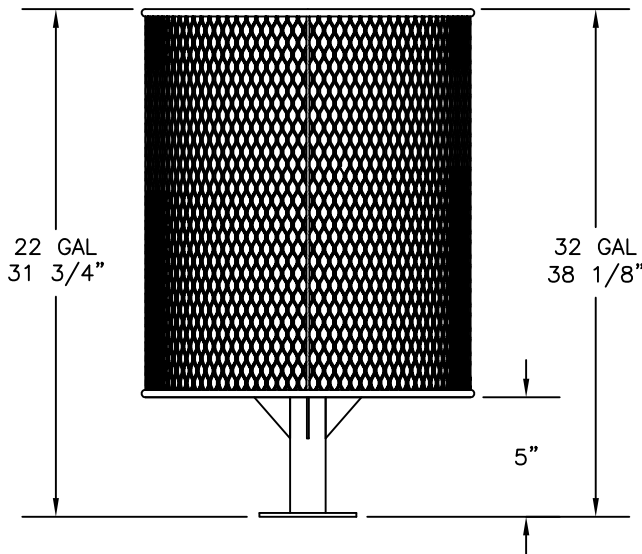
finished assembly dimensions:



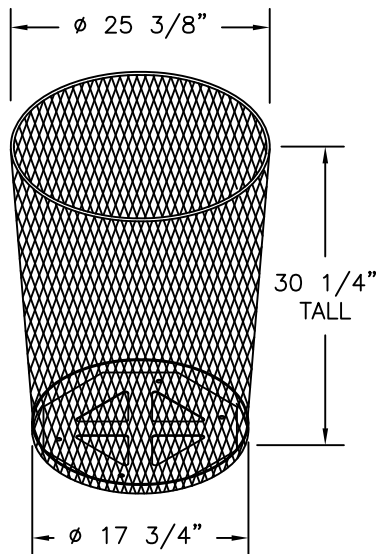
FLARE RECEPTACLE DIMENSIONS



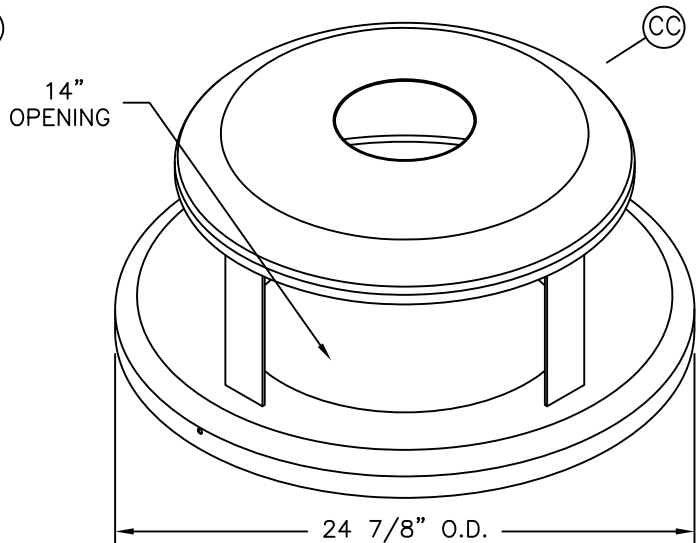
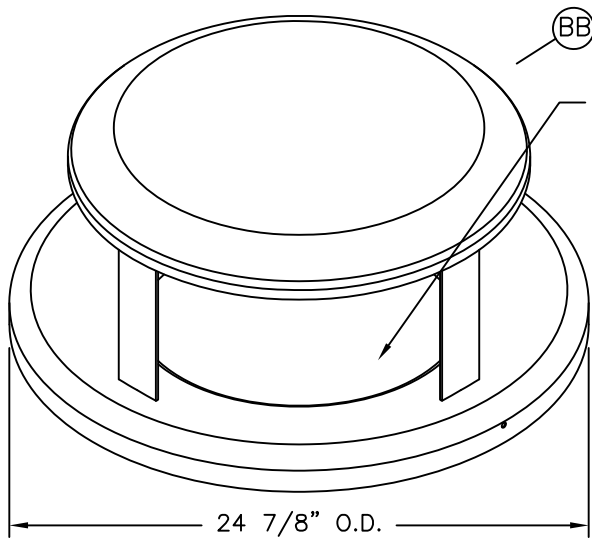
RECEPTACLE DIMENSIONS



TAPERED RECEPTACLE DIMS

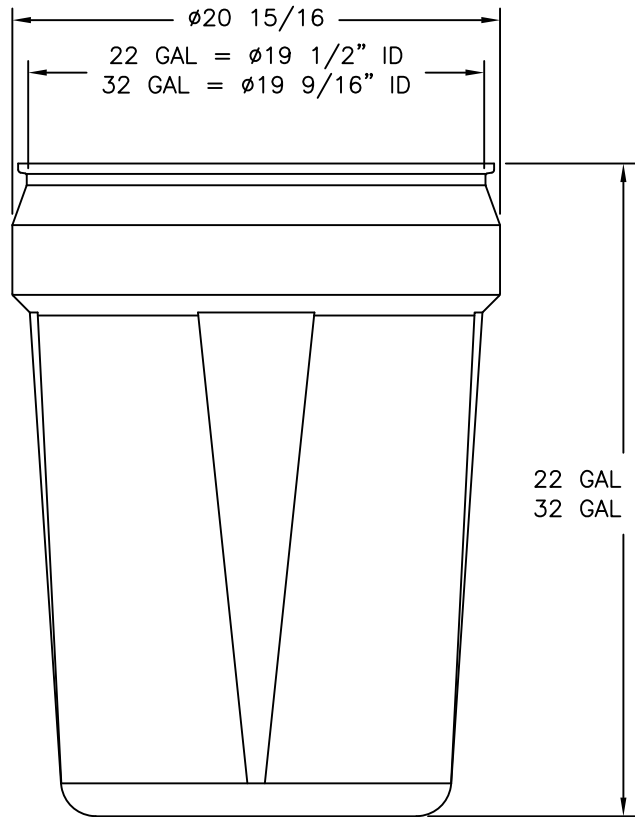
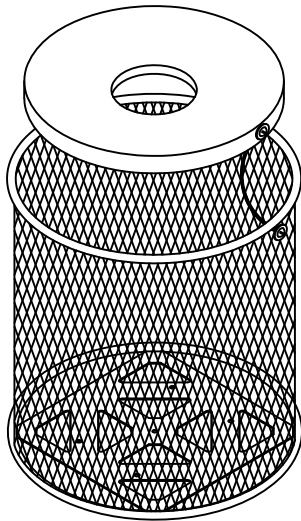


accessories/specifications cont'd:

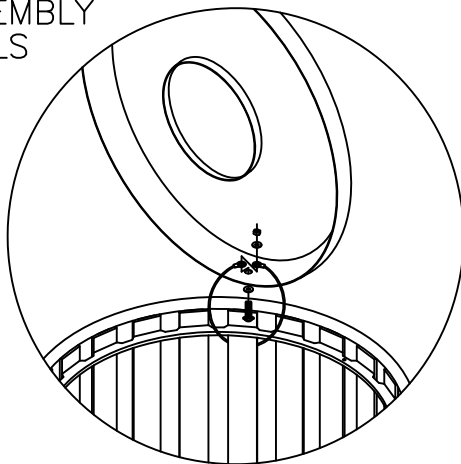


ITEM:	PART#	DESCRIPTION:
BB	FT116N	55 GAL SOLID BONNET WITH DOWNWARD SLANT
CC	FT117N	55 GAL OPEN BONNET WITH DOWNWARD SLANT

(LID SOLD SEPARATELY)



LID ASSEMBLY
DETAILS



LINER DIMENSIONS