

model no:

SG401D, SG401P, SG404D, SG404P, SG407D,
SG407P, SG413D, SG413P, SG416D, SG416P,
SG419D, SG419P, SG425D, SG425P, SG428D,
SG428P, SG431D, SG431P, SG437D, SG437P,
SG440D, SG440P, SG443D, SG443P,
SIGNATURE SERIES



WABASH VALLEY

6', 8', 10' & 15' PLAYER BENCH W/O BACK – EXPANDED METAL
& PERFORATED – PORTABLE, SURFACE MOUNT & INGROUND

© Wabash Valley Manufacturing, Inc.

customer service:

ASSEMBLERS: If you find any parts missing or damaged, or if you're having difficulty assembling your furniture/equipment, call us at:

* Before calling, have your product model number available.

1-800-253-8619 (Inside U.S.A.)

260-352-2102 (Outside U.S.A.)

Monday thru Friday,
8:00 AM – 4:30 PM Eastern Time
(EXCEPT HOLIDAYS)

Any correspondence concerning our product should be sent directly to our Customer Service Manager at:

Wabash Valley Manufacturing, Inc.
505 E. Main Street
P.O.Box 5
Silver Lake, IN 46982 U.S.A.
FAX: 260-352-2160

maintenance:

Regular inspection and maintenance of all parts, and fasteners is necessary. Tighten all bolts and nuts. Inspect Tops, Seats, Legs, Braces and Fasteners periodically for wear or vandalism. Replace broken or worn parts immediately or take equipment out of service until repairs are made. Use genuine Wabash Valley replacement parts.

To restore plastisol coating to its luster after prolonged use, wash/rinse/dry and use Armor-All ® or similar quality vinyl protectant.

KEEP THIS ASSEMBLY/SPECIFICATION SHEET FOR FUTURE REFERENCE.

specifications:

NOTE: We reserve the right to change specifications without notice.

Heat fused poly-vinyl coating, finished on inner-metal structure, to an approximate 3/16" thickness. Framework assemblies are finished with powder coating; electrostatically applied and oven cured according to powder manufacturer's specifications. Fasteners are stainless steel to resist corrosion.

BENCH FRAME:

Main supports are constructed of 2 3/8" od x 12 gage structural steel tubing. Braces are 1" od x 15 gage structural steel tubing. Mounting brackets on legs are 1/4" x 2" steel flat bar or 10 gage sheet steel. Base plates are 1/4" plate steel.

SEATS:

Seat uses 3/4" #9 expanded steel mesh and 12 gage sheet metal for perforated. Framing consists of die-formed 10 gage mitered angles 3/4" x 1 3/4". Center brace and mounting brackets are 1/4" x 1 1/2" steel flat bar.

GENERAL:

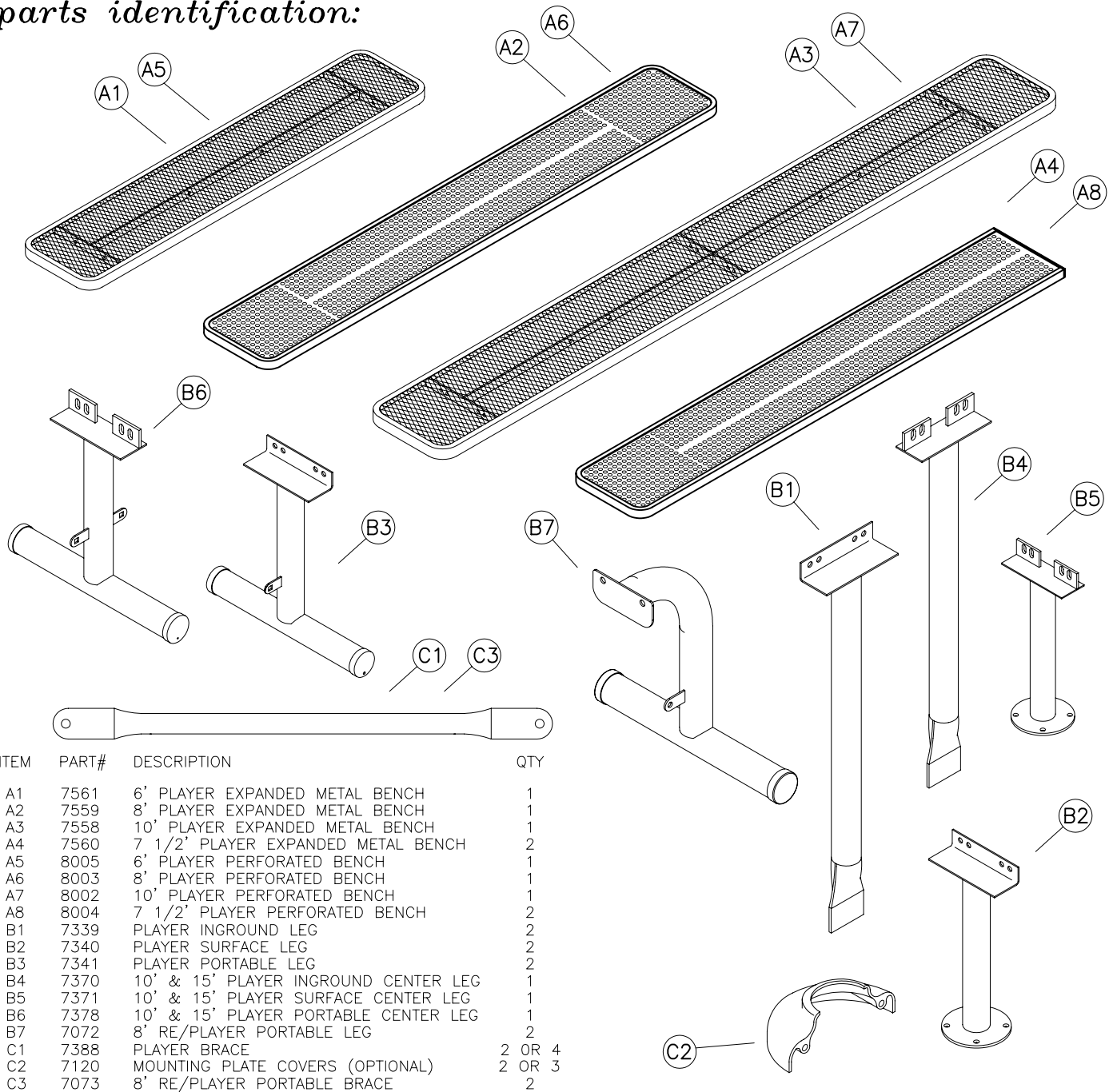
6' bench ground space requirements are, inground and surface mount, is 15 3/8" x 72 3/8", portable, are 18 1/8" x 72 3/8", seats are 15 3/8" x 72 3/8" long, 19" to top of seat. Corner radius is 3" to the outside.

8' bench ground space requirements: inground and surface mount, is 15 3/8" x 96 3/8", portable, are 18 1/8" x 96 3/8". Seats are 15 3/8" x 96 3/8" long, 19" to top of seat. Corner radius is 3" to the outside.

10' bench ground space requirements: inground and surface mount, is 15 3/8" x 120 3/8", portable, is 18 1/8" x 120 3/8". Seats are 15 3/8" x 120 3/8" long, 19" to top of seat. Corner radius is 3" to the outside.

15' bench ground space requirements are; inground and surface mount, 15 3/8" x 180", portable, 18 1/8" x 180". Seats are 15 3/8" x 180" long, 19" to top of seat. Corner radius is 2 5/8" to the outside.

parts identification:

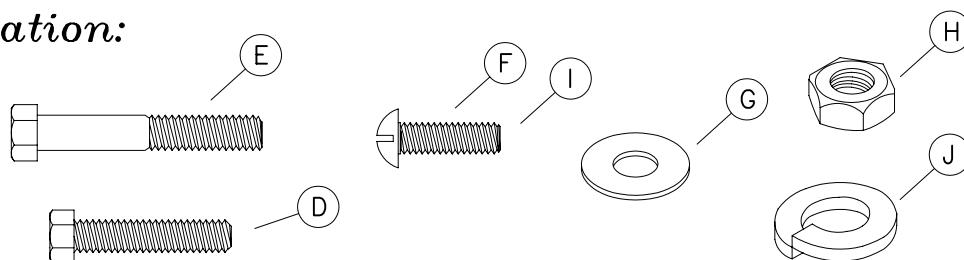


ITEM	PART#	DESCRIPTION	QTY
A1	7561	6' PLAYER EXPANDED METAL BENCH	1
A2	7559	8' PLAYER EXPANDED METAL BENCH	1
A3	7558	10' PLAYER EXPANDED METAL BENCH	1
A4	7560	7 1/2' PLAYER EXPANDED METAL BENCH	2
A5	8005	6' PLAYER PERFORATED BENCH	1
A6	8003	8' PLAYER PERFORATED BENCH	1
A7	8002	10' PLAYER PERFORATED BENCH	1
A8	8004	7 1/2' PLAYER PERFORATED BENCH	2
B1	7339	PLAYER INGROUND LEG	2
B2	7340	PLAYER SURFACE LEG	2
B3	7341	PLAYER PORTABLE LEG	2
B4	7370	10' & 15' PLAYER INGROUND CENTER LEG	1
B5	7371	10' & 15' PLAYER SURFACE CENTER LEG	1
B6	7378	10' & 15' PLAYER PORTABLE CENTER LEG	1
B7	7072	8' RE/PLAYER PORTABLE LEG	2
C1	7388	PLAYER BRACE	2 OR 4
C2	7120	MOUNTING PLATE COVERS (OPTIONAL)	2 OR 3
C3	7073	8' RE/PLAYER PORTABLE BRACE	2

hardware identification:

ASSEMBLY TOOLS REQUIRED

- 2 - 1/2" WRENCHES
- 1 - REGULAR TIP SCREWDRIVER
- 1 - 3' OR 6' LEVEL
- 1 - TAPE MEASURE



ITEMS INCLUDED IN HARDWARE PACK

ITEM	PART#	DESCRIPTION	21011	21014	21016	21016A	21069	21078	21101
D	17011	5/16-18 x 1 1/2" HEX HEAD BOLT - SS	6	4	2	0	4	0	0
E	17012	5/16-18 x 2" HEX HEAD BOLT - SS	0	0	2	2	0	2	0
F	17088	5/16-18 x 1" TRUSS HEAD MACHINE SCREW - SS	2	0	2	0	0	0	0
G	17028	3/8" FLAT WASHER - SS	16	8	12	4	8	4	0
H	17032	5/16-18 HEX FINISH NUT - SS	8	4	6	2	4	2	0
I	17052	1/4-20 x 1" MACHINE SCREW - SS	0	0	0	0	0	0	2
J	17050	5/16" SPLIT LOCK WASHER - SS	8	4	6	2	4	2	0

assembly procedures: IMPORTANT: Assemblers should be reasonably skilled in the assembly of commercial grade/heavy duty fabricated steel equipment.

To ensure proper assembly, it is suggested that you take adequate time to locate and identify each part. To prevent scratching of the finished pieces, we recommend this unit to be assembled on a clean, flat, solid, surface with a drop cloth, allowing plenty of working room. Also please read the instructions and study the sketches very carefully. A little extra time spent before assembly will be well worth it in performing a complete, proper assembly. Please note that all parts have been precut and pre-drilled.

During the assembly process leave all bolts and nuts "finger tight", until the entire unit is completely assembled. This allows room for movement to level or adjust all seats, tops, benches, framework and braces if necessary. After final adjustment and leveling, permanently tighten all nuts, bolts and fasteners.

7L

PORTABLE/SURFACE MOUNT 6' & 8'

STEP 1

Invert the (A-) bench so it's upside down on a flat surface. Attach both (B3-6') or (B7-8' not shown) legs to the outer most part of the bench's mounting brackets, with the tab on each leg facing each other toward the center of the seat, see FIG. 1. Use two, per each leg, (D) and (H) using two (G) and one (J) per each (D).

STEP 2

Attach one end of the (C1-6') or (C3-8') brace to tab on leg using one (F) and (H) using two (G) and one (J) per each (F), see FIG. 2. Attach opposite end to the center brace on the bench. Use one (F) and (H) using two (G) and one (J) per each (F). Repeat Step 2 to assemble the other side. Surface mount models do not include braces.

STEP 3

Rotate bench to the upright position.

FIG. 1

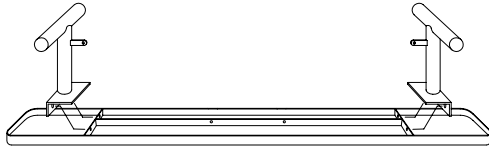
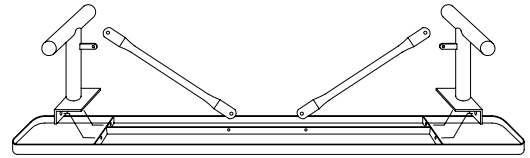


FIG. 2



PORTABLE/SURFACE MOUNT 10' & 15'

STEP 1

Invert the (A3), (A7) or (A4), (A8) bench so it's upside down on a flat surface. Attach both (B-) legs to the outer-most part of the bench's mounting brackets, with the tab on each leg facing each other toward the center of the seat, see FIG. 3. Use two, per each leg, (D) and (H) using two (G) and one (J) per each (D). Attach (B-) center leg to the right side of the seat's center mounting bracket, see FIG. 3. Use two (D) and (H) using two (G) and one (J) per each (D). On 15' bench, join the (A4) or (A8) seats at squared ends. Attach (B-) center leg to the right side of seat's end mounting bracket. Use two (E) and (H) using two (G) and one (J) per each (E).

STEP 2

Attach one end of the (C1) brace to tab on outside leg, see FIG. 4. Use one (F), (H), (K) and two (G) per each (F). Attach opposite end of brace to the center brace on the bench. Use one (F), (H), (K) and two (G) per each (F). Repeat Step 2 to assemble other side.

STEP 3

Attach one end of the (C1) brace to the tab on center leg, see FIG. 4. Use one (F), (H), (J) and two (G) per each (F). Attach opposite end of brace to the center brace on the bench. Use one (F), (H), (J) and two (G) per each (F). Repeat STEP 3 to assemble other side. Surface mount models do not include braces.

STEP 4

Rotate bench to the upright position.

If mounting plate covers (C2) are used place halves around surface mount legs and secure with 2 (I) screws, see FIG. 8. Draw to a snug fit being careful not to over tighten.

FIG. 3

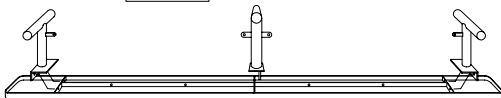
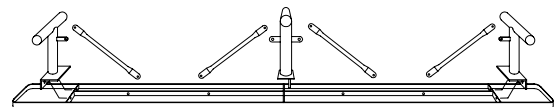


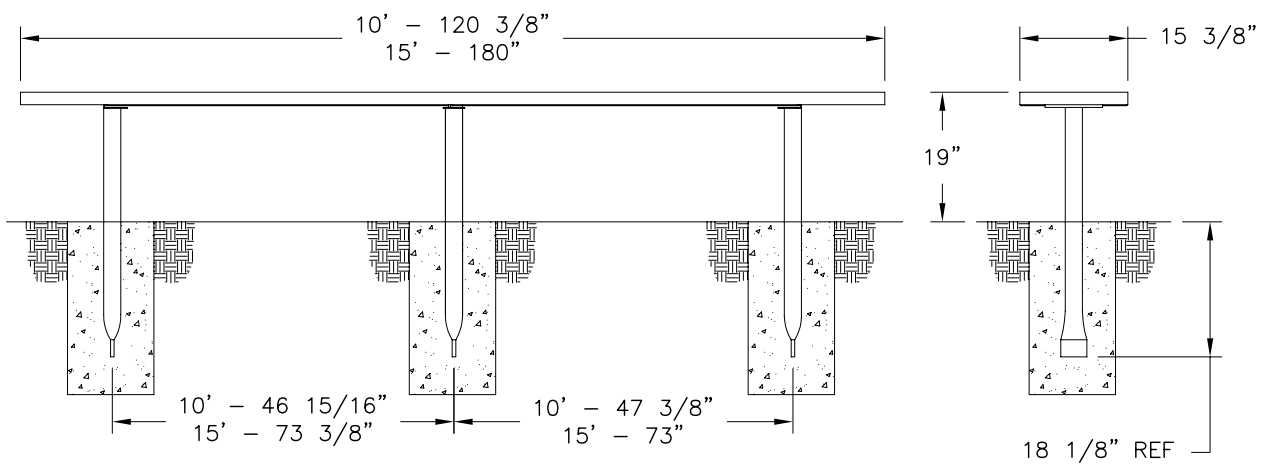
FIG. 4



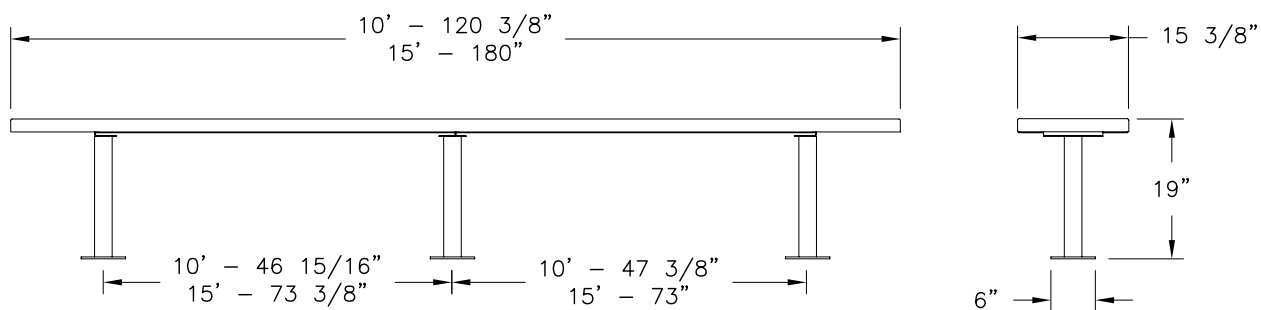
installation: WARNING: The proper installation for Wabash Valley products may depend upon many factors unique to the site, location, or use of a particular product. Consult with your contractor or other professional to determine your specific installation requirements.

product dimensions:

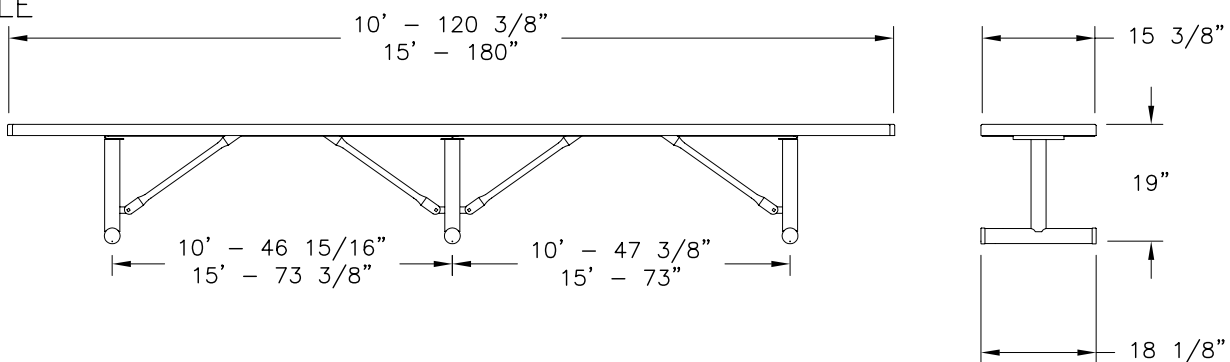
10' & 15' BENCHES
INGROUND



SURFACE



PORTABLE



assembly procedures, cont'd:

INGROUND PLAYER BENCH

STEP 1

Invert the (A-) bench so it's upside down on a flat surface. Attach both (B1) legs to the outer most part of the bench's mounting brackets, see FIG. 5. Use two, per each leg, (D) and (H) using two (G) and one (J) per each (D). Attach (B4) center leg to the right side of the seat's center mounting bracket, see FIG. 6. Use two (D) or (E) and (H) using two (G) and one (J) per each (D) or (E).

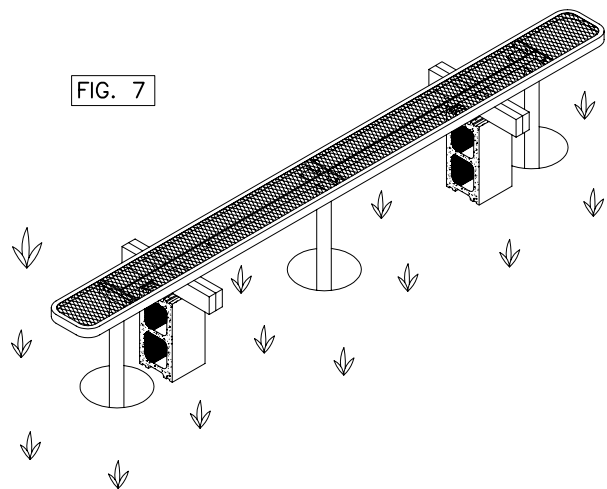
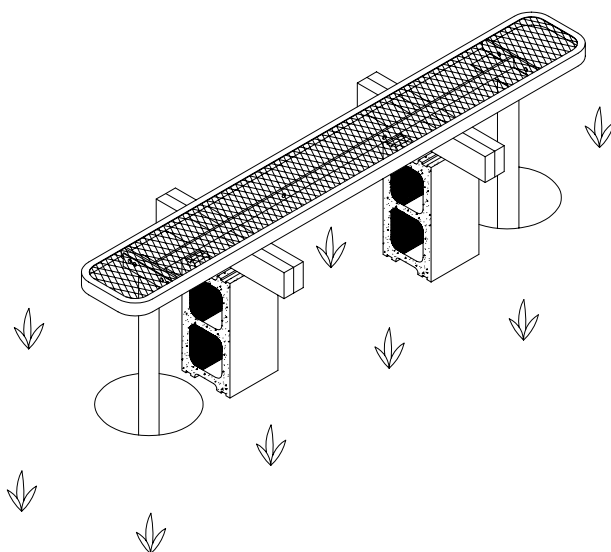
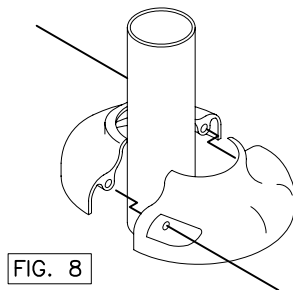
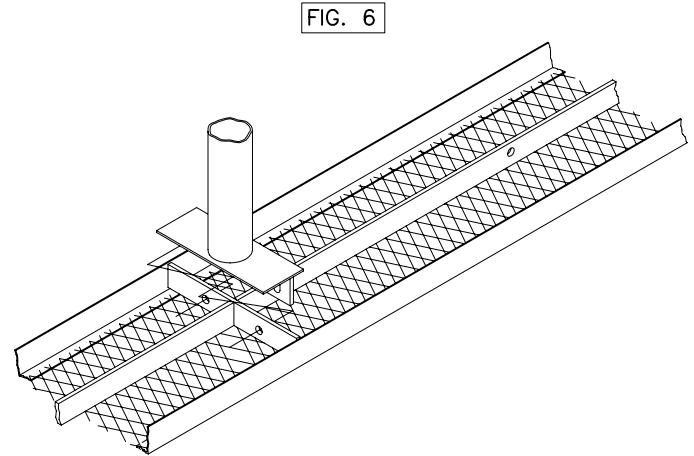
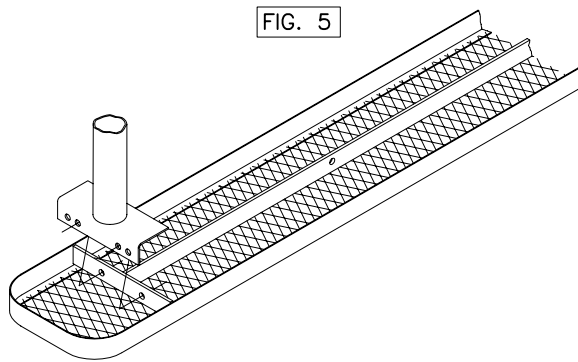
STEP 2

Prepare two for 6' and 8' or three for 10' and 15' foundation holes as shown in FIG. 7. The distance of the holes, center to center, are shown in a diagram on page 4. Reinvert the bench to its topside up position and place the legs in the footing holes. Block the bench as shown in FIG. 7.

Before pouring concrete, make sure the bench is level horizontally as well as vertically and holds 19" to the top of the bench.

Pour concrete to form the footings and let cure for 48 hours.

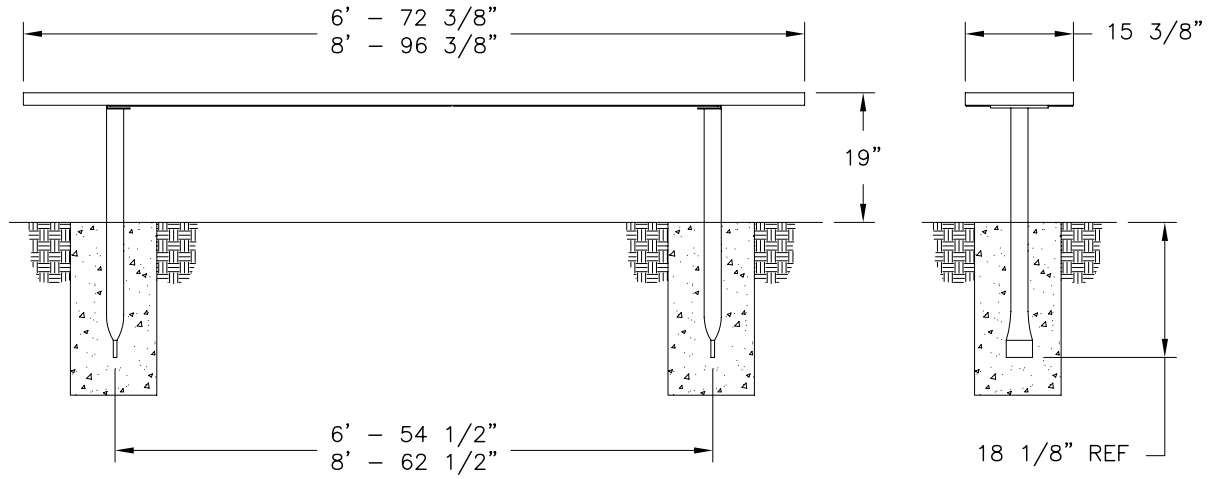
If mounting plate covers (C2) are used place halves around legs and secure with 2 (I) screws, see FIG. 8. Draw to a snug fit being careful not to over tighten.



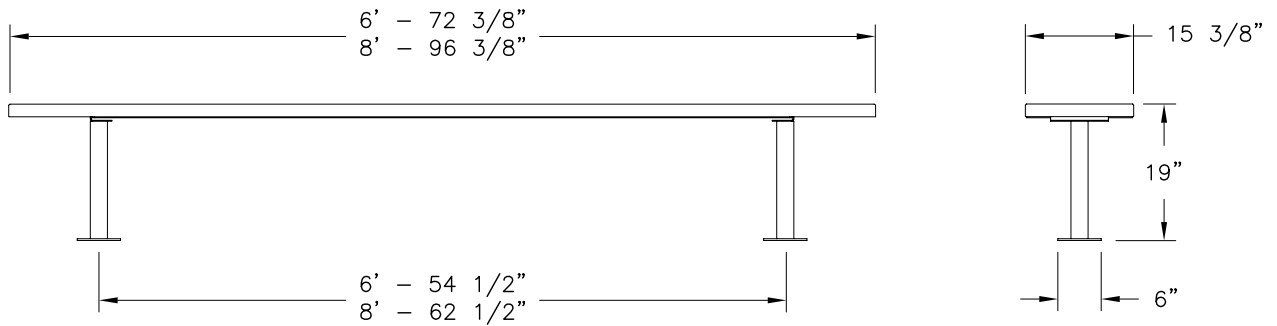
assembly procedures, cont'd:

6' & 8' BENCHES

INGROUND



SURFACE



PORTABLE

