

model no:

Umbrella Series



UM100N, UM105N, UM106N, UM107N,
UM110N, UM111N, UM112N, UM115N,
UM120N, UMC532N, UM300, UM305

WABASH VALLEY

MARKET, GARDEN UMBRELLA
UMBRELLA STAND

© Wabash Valley Manufacturing, Inc.

customer service:

ASSEMBLERS: If you find any parts missing or damaged, or if you're having difficulty assembling your furniture/equipment, call us at:

* Before calling, have your product model number available.

1-800-253-8619 (Inside U.S.A.)
260-352-2102 (Outside U.S.A.)
Monday thru Friday,
8:00 AM - 4:30 PM Eastern Time
(EXCEPT HOLIDAYS)

Any correspondence concerning our product should be sent directly to our Customer Service Manager at:

Wabash Valley Manufacturing, Inc.
505 E. Main Street
P.O.Box 5
Silver Lake, IN 46982 U.S.A.
FAX: 260-352-2160

maintenance:

Follow all warranty information provided.

KEEP THIS ASSEMBLY/SPECIFICATION SHEET FOR FUTURE REFERENCE.

specifications:

NOTE: We reserve the right to change specifications without notice.

Umbrella Stand assemblies are finished with powder coating; electrostatically applied and oven cured according to powder manufacturer's specifications.

INDIVIDUAL UMBRELLA SPECIFICATIONS

The specifications listed below are provided by the vendor and are based on each category which describes each individual umbrella connected to the Wabash Valley/Urbanscape model number.

MODEL NUMBER	SIZE	POLE SIZE	LIFT	RIBS
UM100N	7.5 FT DIA	2 pc AL 1 1/2" - .065	CRANK	(6) 3/8 DIA FIBERGLASS
UM105N	7.5 FT DIA	2 pc AL 1 1/2" - .080	CRANK	(8) 3/8 DIA FIBERGLASS
UM106N	7.5 FT DIA	2 pc AL 1 1/2" - .080	MANUAL (PUSH UP/PIN)	(8) 3/8 DIA FIBERGLASS
UM107N	7.5 FT DIA	2 pc AL 1 1/2" - .080	PULLEY/PIN	(8) 3/8 DIA FIBERGLASS
UM110N	9.0 FT DIA	2 pc AL 1 1/2" - .080	CRANK	(8) 1/2 DIA FIBERGLASS
UM111N	9.0 FT DIA	2 pc AL 1 1/2" - .080	MANUAL (PUSH UP/PIN)	(8) 1/2 DIA FIBERGLASS
UM112N	9.0 FT DIA	2 pc AL 1 1/2" - .080	PULLEY/PIN	(8) 1/2 DIA FIBERGLASS
UM115N	9.0 FT DIA	1 pc AL 1 1/2" - .125	MANUAL (PUSH UP/PIN)	(8) 1/2 DIA FIBERGLASS
UM120N	9.0 FT DIA	2 pc AL 1 1/2" - .080	CRANK	(8) 1/2 DIA FIBERGLASS
UMC532N	9.0 FT DIA	FiberTeak/1 1/2"	MANUAL (PUSH UP/PIN)	(8) 1/2 DIA FIBERGLASS

assembly procedures:

STEP 1

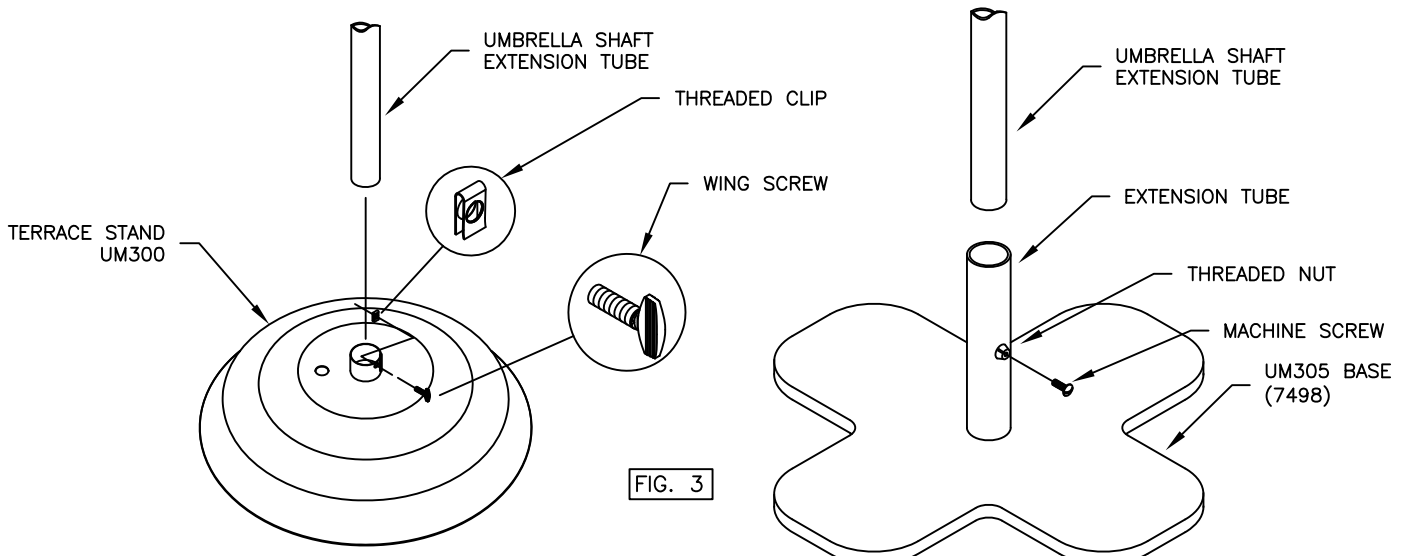
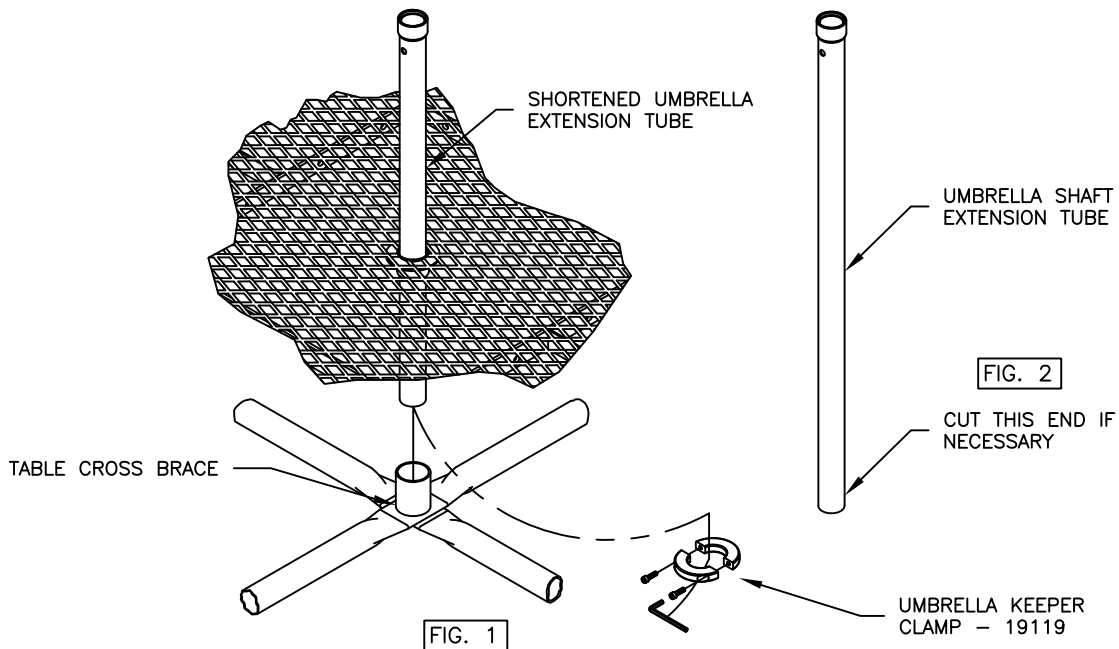
Lower Umbrella into hole at the center of the table top. On portable units, align extension tube of umbrella assembly with cross brace as shown in FIG. 1. Optional 1/4-20-UNC threaded hole in cross brace is provided for additional security of the umbrella assembly. Mating 1/4-20 machine screw is provided. NOTE: Length of extension tube may require to be shortened. Cut must be made at opposite end of plastic sleeve. Refer to FIG. 2.

STEP 2

If inground unit is used, align extension tube of umbrella assembly with hole provided in the square tube. When unit does not provide either the cross brace mounting or the inground receptacle, the umbrella stand assemblies shown in FIG. 3 are used. Using a flat screw driver or pliers, loosen slotted or wing machine screw, provided in the umbrella stand assembly, to allow the shaft extension tube to be interjected through extension tube to rest on the base. Moderately torque the slotted or wing machine screw to secure umbrella assembly to the umbrella stand assembly.

UMBRELLA KEEPER INSTRUCTIONS:

Once the umbrella tube is inserted through the table top, place end of tube in the cross brace or umbrella stand. Attach the umbrella keeper to the umbrella pole or extension tube beneath the table top. If there is a centering ring under the table the umbrella keeper may be placed below it. Install by placing each half of the ring assembly around the umbrella pole or extension tube. See FIG. 1. Insert the bolts; tightening them with the Allen wrench provided. Tighten the bolts evenly until the collar will not move on the pole.



specifications/warranties:

MODEL NUMBER	HEIGHT	CANOPY	FABRIC	HUB	FINISH
UM100N	90"	GARDEN/HEX/VALANCE	VINYL COATED/WEAVE	NYLON	POWDER COAT
UM105N	90"	MARKET/OCT/SINGLE VENT	MARINE GRADE	NYLON	POWDER COAT
UM106N	90"	MARKET/OCT/SINGLE VENT	MARINE GRADE	NYLON	POWDER COAT
UM107N	90"	MARKET/OCT/SINGLE VENT	MARINE GRADE	NYLON	POWDER COAT
UM110N	96"	MARKET/OCT/SINGLE VENT	MARINE GRADE	NYLON	POWDER COAT
UM111N	96"	MARKET/OCT/SINGLE VENT	MARINE GRADE	NYLON	POWDER COAT
UM112N	96"	MARKET/OCT/SINGLE VENT	MARINE GRADE	NYLON	POWDER COAT
UM115N	96"	MARKET/OCT/SINGLE VENT	MARINE GRADE	NYLON	POWDER COAT
UM120N	96"	MARKET/OCT/SINGLE VENT	SPUN ACRYLIC	NYLON	POWDER COAT
UMC532N	96"	MARKET/OCT/SINGLE VENT	MARINE/ACRYLIC	FIBERTEAK	FAUX WOOD/FIBERGLASS

UMBRELLA STANDS:

UM300 – Umbrella base shell is constructed of 1/16" aluminum sheet. The upright tube consists of 1/16" wall aluminum tubing which is connected to the base floor. The threaded clip is steel and snaps in place at pre-punched hole in tube. The wing screw is zinc-plated steel.

UM305 – Umbrella base plate is constructed of 5/8" plate steel. The upright tube consists of 13 gage mechanical steel tubing. The locking nut is zinc-plated steel and welded in place at pre-punched hole in tube. Hardware is stainless steel.

GENERAL WARRANTY

For the warranty to apply, all umbrellas must be secured in a properly weighted base. Though our umbrellas have successfully passed wind tests over 50 miles per hour, FiberBuilt Umbrellas does not recommend allowing umbrellas to remain open during storms or strong winds. Customer is responsible for taking the umbrella down when winds reach unsafe conditions. Normal care and maintenance of products is required to insure years of problem free use. Damaged umbrellas should be immediately taken out of service. This warranty does not cover the umbrella pole, crank or tilt, glass tops, glides, normal fading of fabrics and chemical stains.

This warranty does not cover any damage due to acts of God, abuse, misuse or vandalism incurred to the umbrella after purchase, nor does it cover customer's own material. For warranty to apply, products must be properly cared for and maintained. Modifications made to the product after production may void warranty. This warranty does not provide coverage or reimbursement for loss of use, time, inconvenience or other damages resulting from any defect in the product. To find out more about our warranty or to file a claim, please contact our customer service department at: 800-253-8619. No returns will be accepted without prior approval.

UMBRELLA WARRANTY

MODELS

UM100N, UM105N, UM106N, UM107N, UM110N, UM111N, UM112N, UM120N

1 year from date of purchase to original purchaser, against defects in materials and workmanship; Additionally, fiberglass support ribs warranted for 5 years.

MODELS

UM115N, UMC532N

5 years from date of purchase to original purchaser, against defects in materials and workmanship; Additionally, fiberglass support ribs warranted for 5 years.

UMBRELLA FABRIC WARRANTY

MODELS

UM105N, UM106N, UM107N, UM110N, UM111N, UM112N, UM115N, UMC532N

Marine grade solution dyed acrylic fabrics are warranted against fastness for a period of six (6) to ten (10) years depending on the fabric mill.

MODELS

UM100N, UM120N

Spun Acrylic, vinyl coated weaves and select marine grade fabrics DO NOT carry an additional warranty.

product cleaning instructions:

FABRIC CLEANING

VINYL COATED WEAVE FABRICS:

UM100N

Garden style canopies are made of easy to clean vinyl coated weave fabrics. Fabric may be cleaned while on the umbrella frame. Brush off any loose dirt. Use a sponge or soft cloth and, clean with a solution of one capful of mild detergent in one gallon of water. Rinse thoroughly with clean water and air dry. Although these fabrics can be cleaned with a solution that includes a small amount of diluted bleach without fading, regular use of such a formula is not recommended.

SPUN ACRYLIC FABRICS:

UM120N

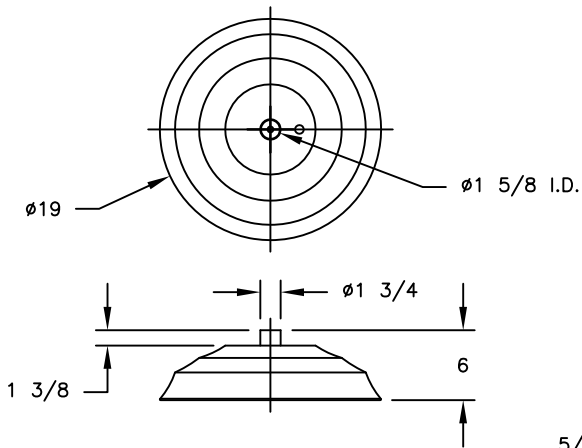
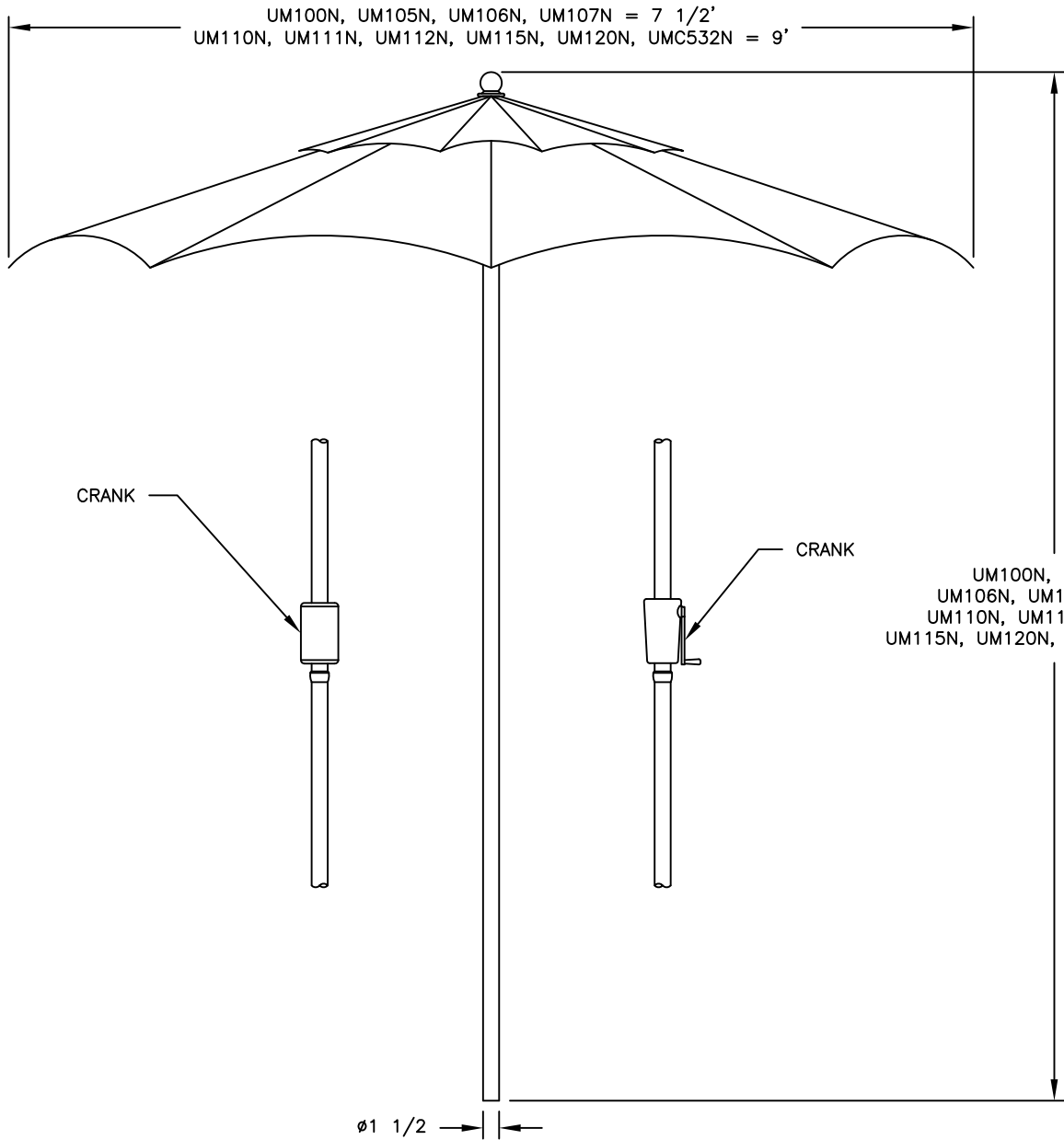
Patio style canopies are made with spun acrylic fabrics which are both durable and naturally resistant to mildew and stains. Fabric may be cleaned while on the umbrella frame. Brush off any loose dirt. Use a sponge or soft cloth and clean with a solution of one capful of mild detergent in one gallon of warm water. Rinse thoroughly with clean water and air dry. Avoid direct contact with suntan oils or similar lotions. If direct contact occurs, clean promptly.

MARINE GRADE ACRYLIC FABRICS:

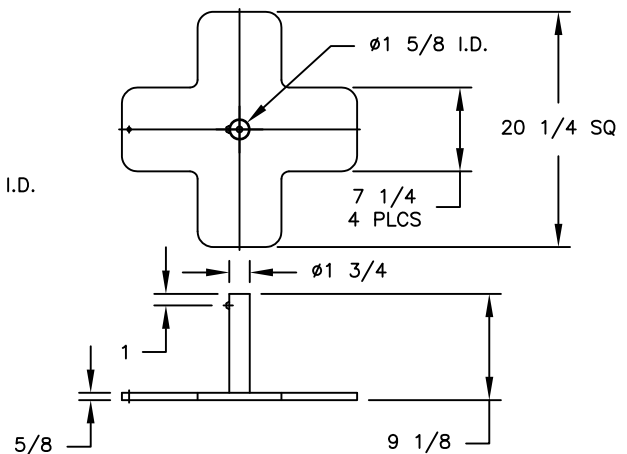
UM105N, UM106N, UM107N, UM110N, UM111N, UM112N, UM115N, UMC532N

Solution-dyed acrylic fabric canopies feature a soil, stain and mildew resistant finish. Fabric may be cleaned while on the umbrella frame. Brush off any loose dirt. Dampen the fabric by hosing it down. Prepare a solution of two capfuls of a mild, natural soap (not detergent) to one gallon of cold or lukewarm water (less than 100* F). Use a sponge or soft-bristle and allow the soap to soak in. Rinse thoroughly with clean water. Air dry. Do not put fabric in a dryer. For spot cleaning of stains, two tablespoons of diluted bleach in the soap mixture above may occasionally be used. Regular cleaning with a bleach solution is not recommended.

product dimensions:



UM300



UM305