

model no:

SG213D, SG213P, SG214D, SG214P,
SG229D, SG229P, SG234D, SG234P,
SG243D, SG244D, SG244P, SG249D
SG249P, SG234P-ONESEAT, SG234P-TWOSEAT



WABASH VALLEY

SIGNATURE SERIES

30", 40" & 46" SQ. & 36", 46" RND SURFACE MOUNT TABLE W/1, 2, 3 & 4 SEATS,
BASIC FRAME, EXPANDED METAL & PERFORATED

© Wabash Valley Manufacturing, Inc.

customer service:

ASSEMBLERS: If you find any parts missing or damaged, or if you're having difficulty assembling your furniture/equipment, call us at:

* Before calling, have your product model number available.

1-800-253-8619 (Inside U.S.A.)

260-352-2102 (Outside U.S.A.)

Monday thru Friday,

8:00 AM - 4:30 PM Eastern Time

(EXCEPT HOLIDAYS)

Any correspondence concerning our product should be sent directly to our Customer Service Manager at:

Wabash Valley Manufacturing, Inc.

505 E. Main Street

P.O.Box 5

Silver Lake, IN 46982 U.S.A.

FAX: 260-352-2160

maintenance:

Regular inspection and maintenance of all parts, and fasteners is necessary. Tighten all bolts and nuts. Inspect Tops, Seats, Legs, Braces and Fasteners periodically for wear or vandalism. Replace broken or worn parts immediately or take equipment out of service until repairs are made. Use genuine Wabash Valley replacement parts.

To restore plastisol coating to its luster after prolonged use, wash/rinse/dry and use Armor-All ® or similar quality vinyl protectant.

KEEP THIS ASSEMBLY/SPECIFICATION SHEET FOR FUTURE REFERENCE.

specifications:

NOTE: We reserve the right to change specifications without notice.

Heat fused poly-vinyl coating, finished on inner-metal structure, to an approximate 3/16" thickness.

Framework assemblies are finished with powder coating; electrostatically applied and oven cured according to powder manufacturer's specifications. Fasteners are stainless steel to resist corrosion.

TABLE FRAME:

Main support is constructed from 4" x 4" x 11 gage structural steel tubing. Surface mount leg base consists of 3/8" plate steel. Square mounting frame, for top, consists of 1/4" x 1 1/4" steel flat bar, 1/4" plate steel and 14 gage sheet steel. Seat assembly arm is constructed with 2 7/8" od x 9 gage structural steel tubing. Cross tubing is 2 3/8" od x 12 gage structural steel tubing. Seat's mounting ears are 10 gage sheet steel. Mounting bracket to the post is 3/8" x 3 1/2" x 8" plate steel.

TOP & SEATS:

Top and seat use fabricated 3/4" #9 expanded steel mesh and 12 gage sheet metal for the perforated. Framing consists of die formed 10 gage mitered angles 3/4" x 1 3/4". Round tops are framed with 1/8" thick x 1 1/2" wide strip steel. Top's square mounting frame and the seat's mounting brackets are 1/4" x 1 1/2" steel flat bar. Top's support braces are 1/8" x 1 1/2" strip steel.

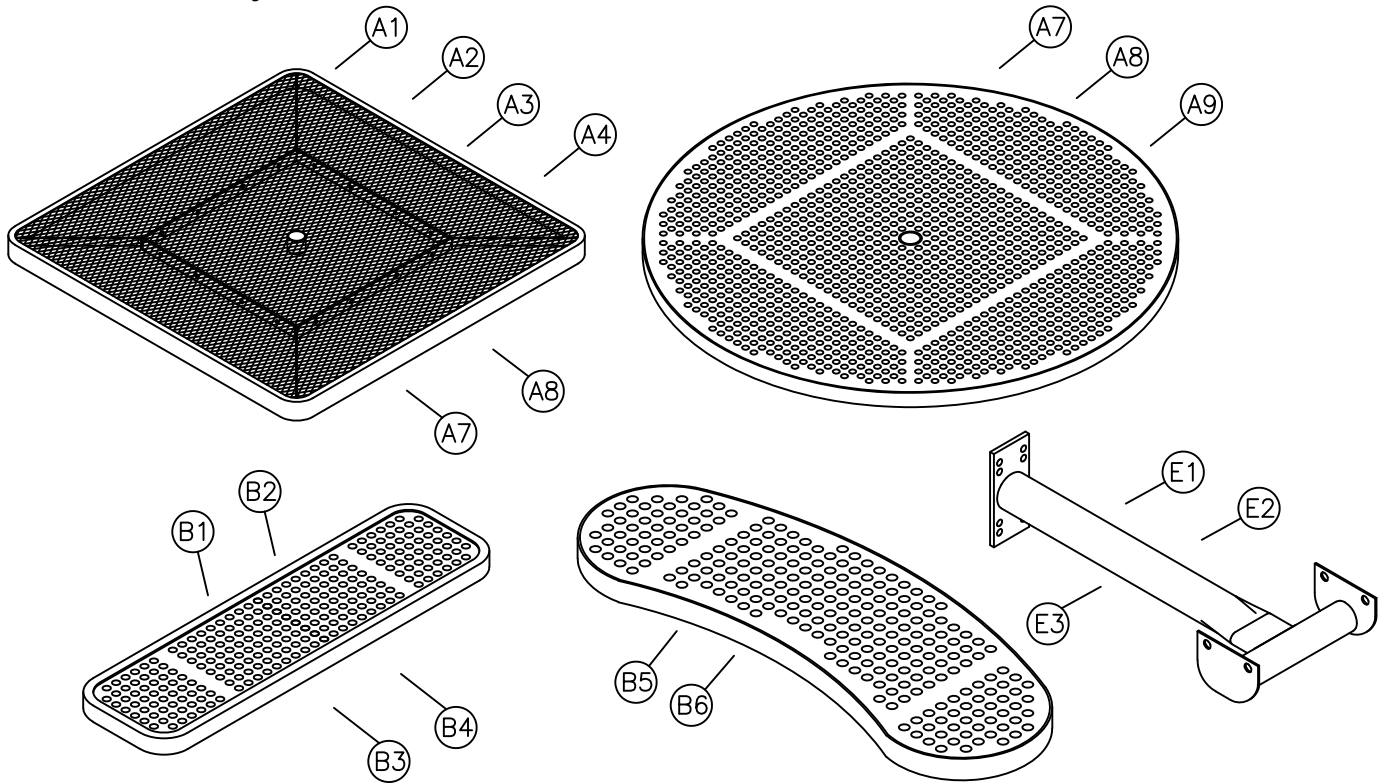
GENERAL:

SG213D and SG213P ground space requirements are 30 1/4" x 60 5/8". SG214D and SG214P ground space requirements are 71" squared. SG229D and SG229P ground space requirements are 77 3/4" squared. SG234D and SG234P ground space requirements are 62" x 77 3/4". SG243D ground space requirements are 64 3/16" x 36". SG244D and SG244P ground space requirements are 81" squared. SG249D and SG249P ground space requirements are 63 5/8" x 81". It is 30" to the top of tables. Straight seats are 10 1/4" wide x 36 1/8" long and 19 1/8" to the top of seat. Concave seats are 10 1/4" wide x 34 1/2" long and 19 1/8" to the top of seat. SG234P-ONESEAT requirements are 62" x 46 1/4". It is 30" to the top of table. The seat is 10 1/4" wide x 36 1/8" long and 19 1/8" to the top of seat. SG234P-TWOSEAT ground space requirements are 77 3/4" x 46 1/4". It is 30" to the top of the table. The seats are 10 1/4" wide x 36 1/8" long and 19 1/8" to the top of seats.

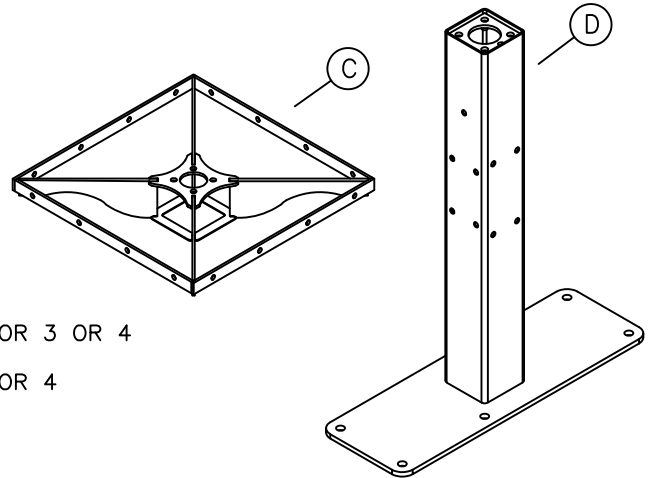
NOTE: When Umbrellas are used on Tables, the Umbrellas must be secured.

Wabash Valley Umbrellas include an Umbrella Collar for securing.

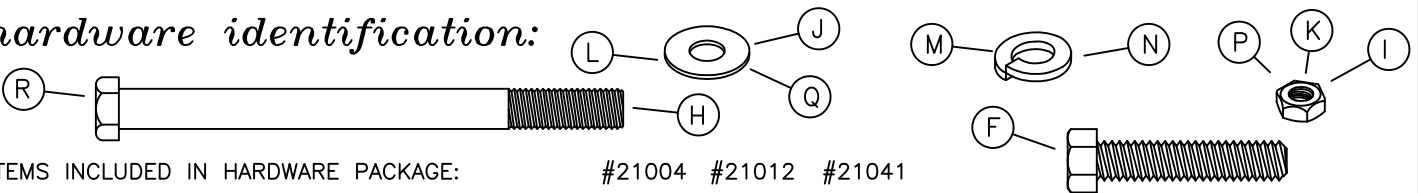
parts identification:



ITEM	PART#	DESCRIPTION	QTY
A1	8109	40" RE EXPANDED METAL SQUARE TOP	1
A2	7504R	46" RE EXPANDED METAL SQUARE TOP	1
A3	8245	30" RE EXPANDED METAL SQUARE TOP	1
A4	8194	40" RE PERFORATED SQUARE TOP	1
A5	7971	46" RE PERFORATED SQUARE TOP	1
A6	8247	30" RE PERFORATED SQUARE TOP	1
A7	7665	46" ROUND EXPANDED METAL TOP	1
A8	7976	46" ROUND PERFORATED TOP	1
A9	8285	36" ROUND EXPANDED METAL TOP	1
B1	7530R	36" RE EXPANDED METAL SEAT	3 OR 4
B2	8244	30" RE EXPANDED METAL SEAT	2
B3	7998	36" RE PERFORATED SEAT	1 OR 2 OR 3 OR 4
B4	8246	30" RE PERFORATED SEAT	2
B5	7666	EXPANDED METAL CONCAVE SEAT	2 OR 3 OR 4
B6	8000	PERFORATED CONCAVE SEAT	3 OR 4
C	7464	POST MOUNTING FRAME	1
D	7069	40"/46" RE SURFACE MOUNT POST	1
E1	7129	40" SEAT ASSEMBLY	3 OR 4
E2	7318A	46" SEAT ASSEMBLY	1 OR 2 OR 3 OR 4
E3	7099	30" SEAT ASSEMBLY	2



hardware identification:



ITEMS INCLUDED IN HARDWARE PACKAGE: #21004 #21012 #21041

ITEM	PART#	DESCRIPTION	QTY	QTY	QTY
F	17011	5/16-18 x 1 1/2" HEX BOLT - SS	0	8	8
G	17013	3/8-16 x 1 1/4" HEX BOLT - SS	0	0	4
H	17051	7/16-14 x 5 1/2" HEX BOLT - SS	8	0	0
I	17044	7/16-14 HEX NUT - SS	8	0	0
J	17028	3/8" FLAT WASHER - SS	0	16	20
K	17032	5/16-18 HEX FINISH NUT - SS	0	8	8
L	17043	7/16" FLAT WASHER - SS	16	0	0
M	17050	5/16" SPLIT LOCK WASHER - SS	0	8	8
N	17105	7/16" SPLIT LOCK WASHER - SS	8	0	0
P	17017	1/4-20 HEX NUT - SS	1	0	0
Q	17103	5/16" FLAT WASHER - SS	2	0	0
R	17154	1/4-20 X 4 1/2" HEX BOLT - SS	1	0	0

ASSEMBLY TOOLS REQUIRED

- 2 - 1/2" WRENCHES
- 1 - 9/16" WRENCH
- 1 - TAPE MEASURE
- 1 - 3' OR 6' LEVEL
- 1 - 5/8" WRENCH
- 1 - 11/16" WRENCH

assembly procedures:

IMPORTANT: Assemblers should be reasonably skilled in the assembly of commercial grade/heavy duty fabricated steel equipment.

To ensure proper assembly, it is suggested that you take adequate time to locate and identify each part. To prevent scratching of the finished pieces, we recommend this unit to be assembled on a clean, flat, solid, surface with a drop cloth, allowing plenty of working room. Also please read the instructions and study the sketches very carefully. A little extra time spent before assembly will be well worth it in performing a complete, proper assembly. Please note that all parts have been pre-cut and pre-drilled.

During the assembly process leave all bolts and nuts "finger tight", until the entire unit is completely assembled. This allows room for movement to level or adjust all seats, tops, benches, framework and braces if necessary. After final adjustment and leveling, permanently tighten all nuts, bolts and fasteners.

STEP 1

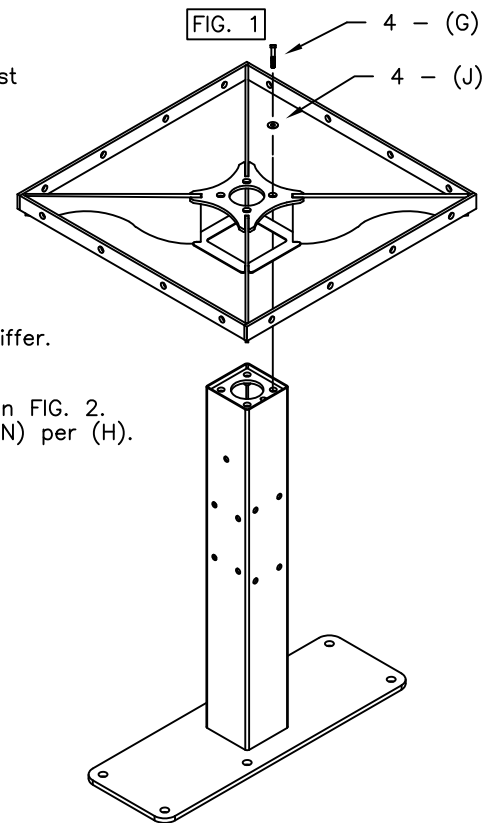
Prepare and place the foundations securement hardware in its chosen location. A detailed description of where the hole locations should be placed is shown on page 4.

STEP 2

When the foundation's securement hardware has been installed, place (D) post in its new location and secure to the foundation.

STEP 3

Slide (C) onto end of (D), matching the square opening with the square post until it rests on the top of the post. Secure (C) to (D) engaging four (G) and (J) into pre-welded t-nuts inside post, see FIG. 1. Draw the bolts to a snug fit with wrenches.



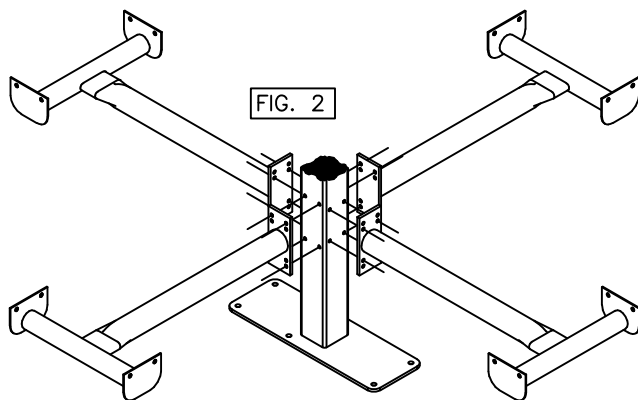
NOTE: Depending on the unit you have purchased, the following steps may differ.

STEP 4

Attach each (E-) seat assembly arm to the surface mount post as shown in FIG. 2. Use four per each seat assembly arm, (H) and (I) using two (L) and one (N) per (H).

STEP 5

Level the arms, then tighten fasteners with wrenches.

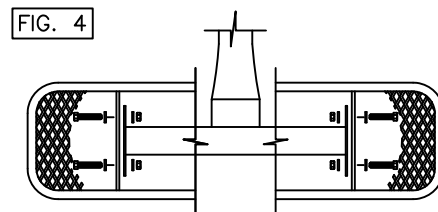


STEP 6

Attach (2 or 3 or 4) seats (B-) to the end of each seat assembly arm, aligning the seat's brackets to the outside of the seat assembly arm's brackets as shown in FIG. 4. Use four, per each seat, (F) and (K) using two (J) and one (M) per (F).

STEP 7

Level seats and top if necessary and tighten remaining fasteners with wrenches.



installation:

WARNING: The proper installation for Wabash Valley products may depend upon many factors unique to the site, location, or use of a particular product. Consult with your contractor or other professional to determine your specific installation requirements.

assembly procedures, cont'd:

STEP 8

Attach (A-) top to the outside of the square mounting frame (C). See FIG. 3. Use eight (F) and (K) using two (J) and one (M) per (F). Draw the fasteners to a snug fit with wrenches.

USE HOLE PROVIDED IN TUBE AS TEMPLATE AND DRILL THRU UMBRELLA EXTENSION TUBE.

NOTE:

Secure the umbrella AFTER the seat arms are assembled.

UMBRELLA SECUREMENT

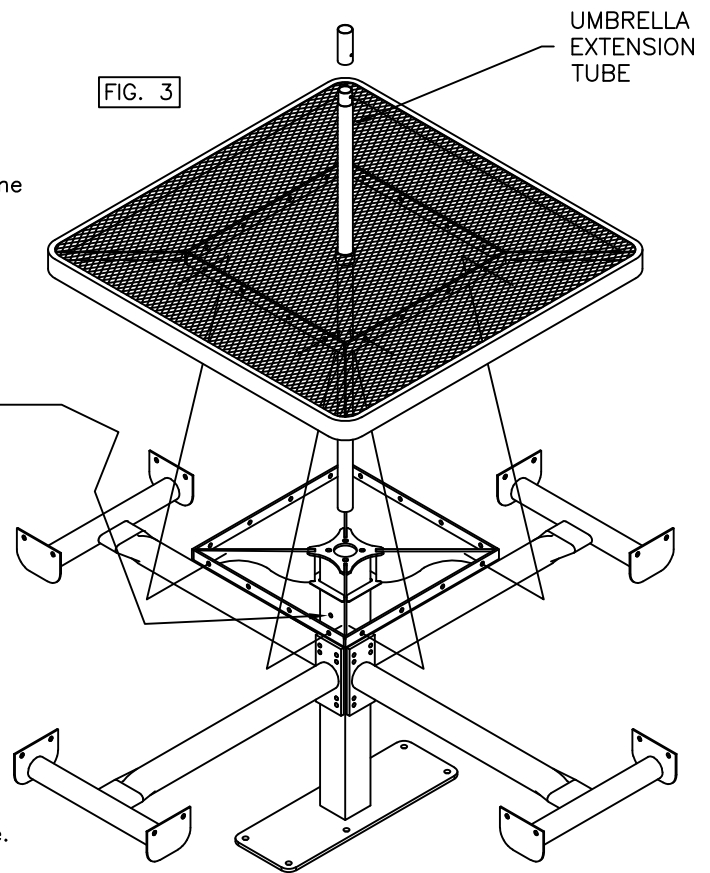
Insert the umbrella extension tube into the square inground/surface mount tube through the table top hole.

STEP A

Before drilling, be sure desired umbrella height is established. Drill a $\phi 1/4$ " hole thru umbrella extension tube using the $\phi 3/8$ " hole directly under table top as a template.

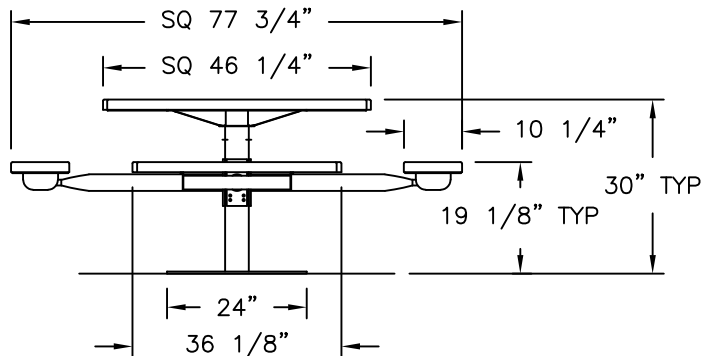
STEP B

Secure umbrella extension to table leg tube using one (R), two (Q) and one (P). Tighten to snug fit.



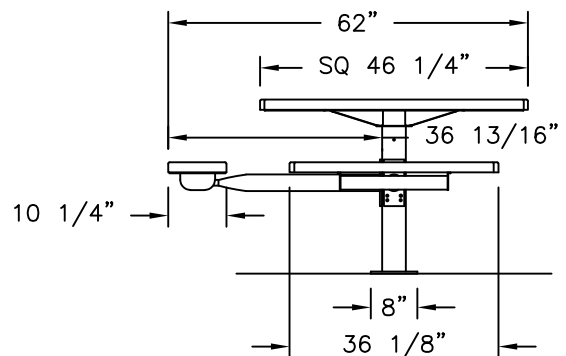
product dimensions:

SG229D
SG229P

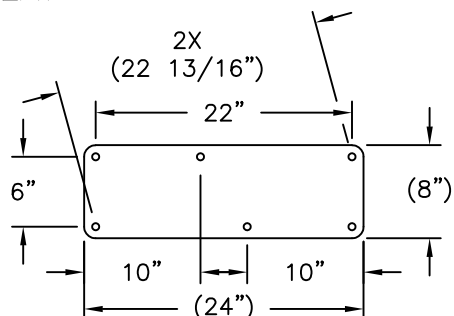


4 SEAT

SG234D
SG234P

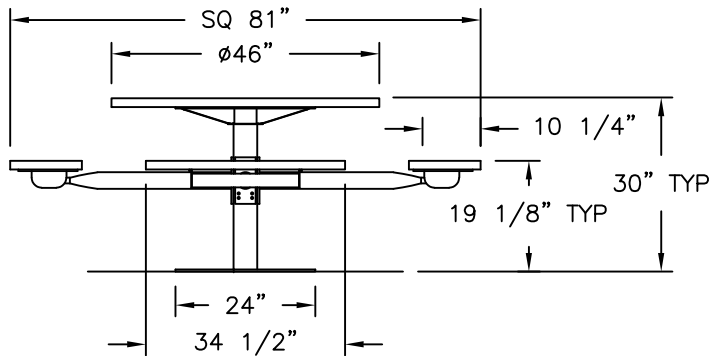


3 SEAT



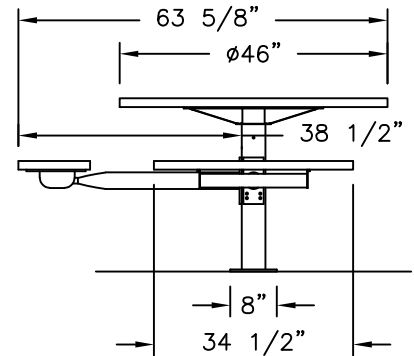
product dimensions:

SG244D
SG244P



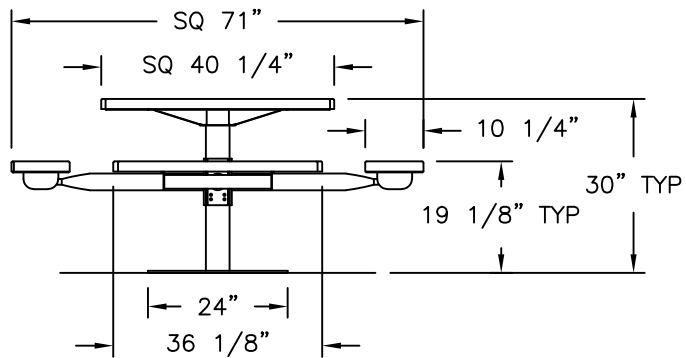
4 SEAT

SG249D
SG249P



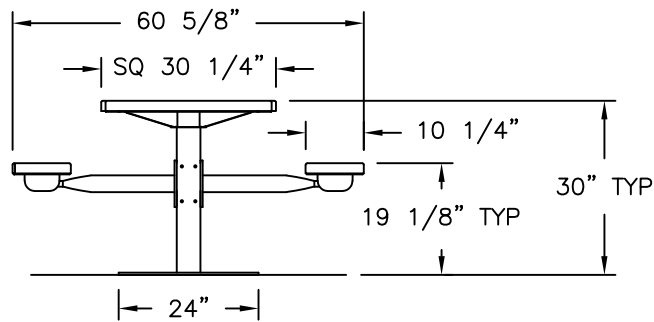
3 SEAT

SG214D
SG214P

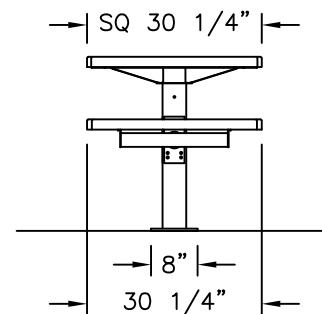


4 SEAT

SG213D
SG213P



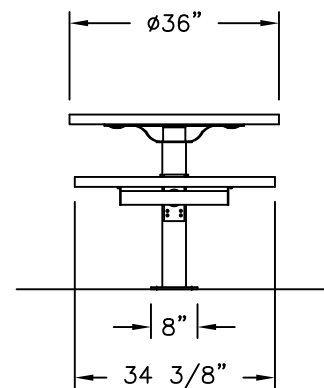
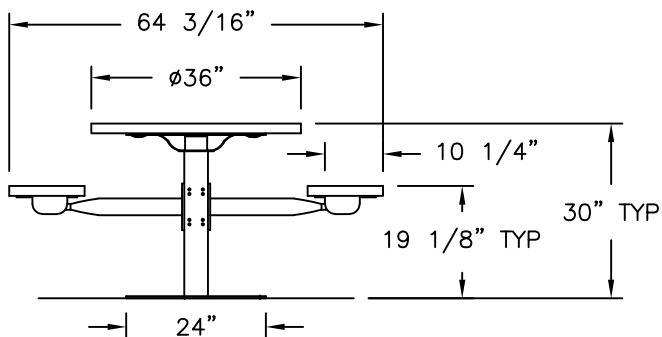
2 SEAT



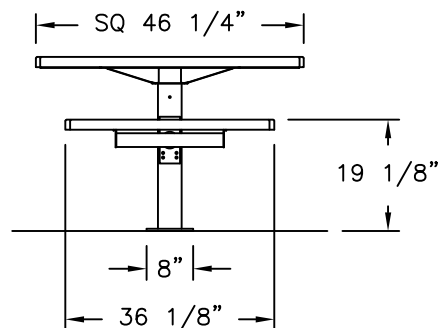
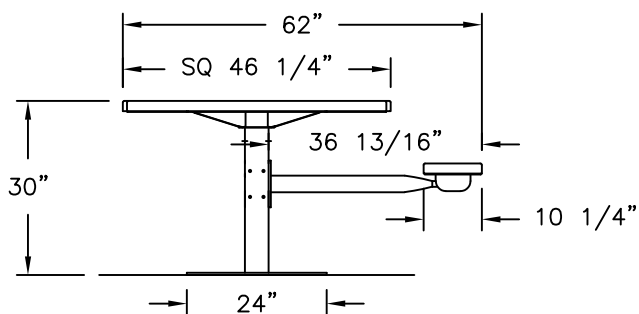
product dimensions:

SG243D

2 SEAT



SG234D-ONESEAT



SG234D-TWOSEAT

