

model no:

PL101D, PL101P, PL101R, PL101S,
PL104D, PL104P, PL104R, PL104S,
PL200D, PL200P, PL200R, PL200S,
PL203D, PL203P, PL203R, PL203S



WABASH VALLEY

ACCESORIES

ROUND & SQUARE PLANTERS
EXPANDED METAL, RIB, PERFORATED & SLAT

© Wabash Valley Manufacturing, Inc.

customer service:

ASSEMBLERS: If you find any parts missing or damaged, or if you're having difficulty assembling your furniture/equipment, call us at:

* Before calling, have your product model number available.

1-800-253-8619 (Inside U.S.A.)

260-352-2102 (Outside U.S.A.)

Monday thru Friday,
8:00 AM - 4:30 PM Eastern Time
(EXCEPT HOLIDAYS)

Any correspondence concerning our product should be sent directly to our Customer Service Manager at:

Wabash Valley Manufacturing, Inc.
505 E. Main Street
P.O.Box 5
Silver Lake, IN 46982 U.S.A.
FAX: 260-352-2160

maintenance:

Regular inspection and maintenance of all parts, and fasteners is necessary. Tighten all bolts and nuts. Inspect Tops, Seats, Legs, Braces and Fasteners periodically for wear or vandalism. Replace broken or worn parts immediately or take equipment out of service until repairs are made. Use genuine Wabash Valley replacement parts.

To restore plastisol coating to its luster after prolonged use, wash/rinse/dry and use Armor-All ® or similiar quality vinyl protectant.

KEEP THIS ASSEMBLY/SPECIFICATION SHEET FOR FUTURE REFERENCE.

specifications:

NOTE: We reserve the right to change specifications without notice.

Heat fused poly-vinyl coating, finished on inner-metal structure, to an approximate 3/16" thickness. Framework assemblies are finished with powder coating; electrostatically applied and oven cured according to powder manufacturer's specifications. Fasteners are stainless steel to resist corrosion.

ROUND PLANTERS:

On expanded metal round planters the top of the round planter's fabricated metal is secured with 10 gage sheet steel and 1/8" strip steel. The bottom of the fabricated metal is secured with 1/8" strip steel and uses 5/16" diameter steel rod to join the ends of the fabricated metals, to form the seam of their diameter. The round rib, slat and perforated planters have a 10 gage ring around the top.

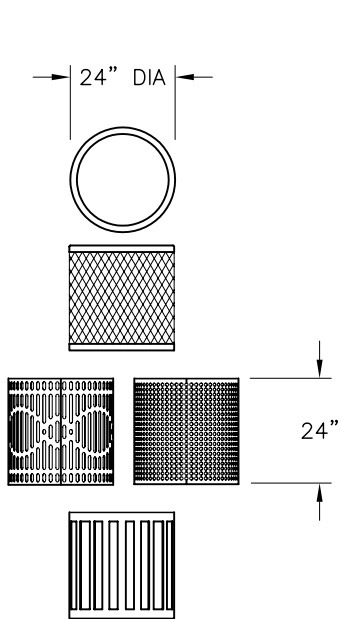
SQUARE PLANTERS:

The side panels or frames, on the square planters, are broke to form the top frame. Expanded metal planters use fabricated 3/4" #9 expanded steel mesh, rib and slat planters use 10 gage steel metal and perforated planters use 12 gage sheet metal.

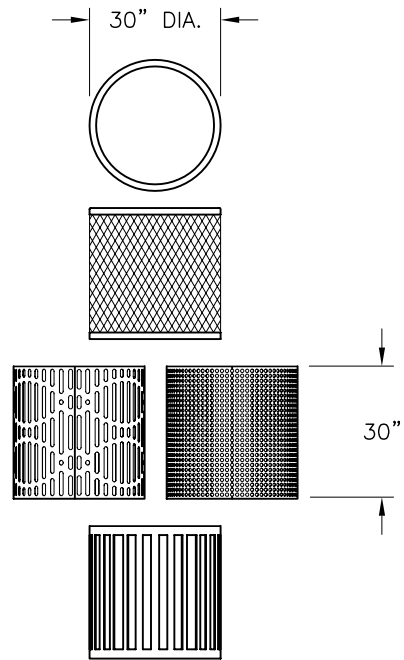
GENERAL:

Each planter comes equipped with a 3/16" thick fiberglass reinforced polyester resin liner. Standard color for the liner is black.

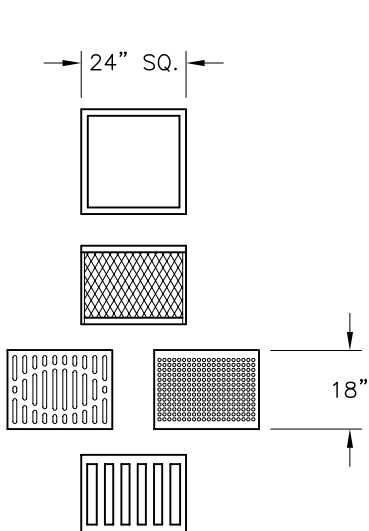
parts identification/product dimensions:



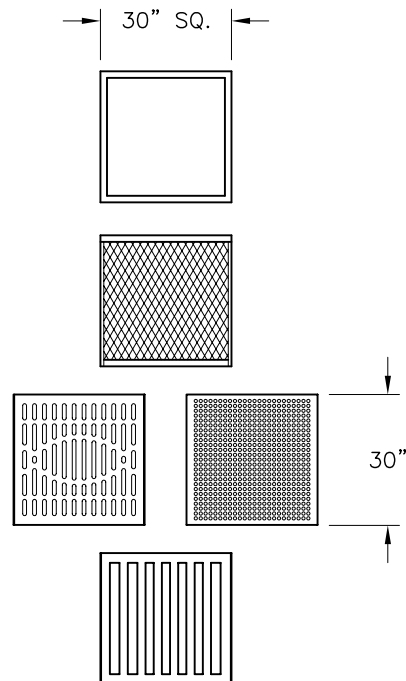
24 X 24 ROUND PLANTER
X.M., RIB, PERF & SLAT



30 X 30 ROUND PLANTER
X.M., RIB, PERF & SLAT



24 X 18 SQUARE PLANTER
X.M., RIB, PERF & SLAT



30 X 30 SQUARE PLANTER
X.M., RIB, PERF & SLAT